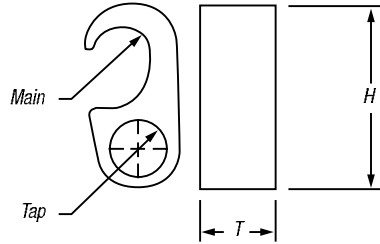


EZGround™ Compression Grounding Connectors

Figure 6 Compression Ground Rod Tap Connector

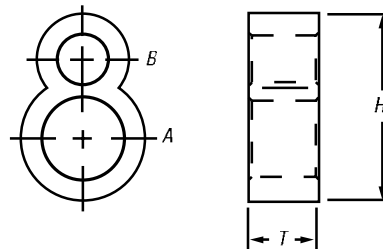


DB **IEEE**
MEETS
837 REQUIREMENTS

CAT. NO.	APPLICATION		CABLE TO REBAR APPLICATION		DIMENSIONS (IN.)		DIES FOR TBM 14M, 13100A OR TBM15I
	MAIN	TAP	A GROUND ROD	B CABLE RANGE	T	H	
54855	1/0 Str.–250 kcmil or ½"–¾" Rod	#4 Sol.–#2 Str.	#3 Rebar ¾ thru ½ #4 Rebar	#4 Sol.–#2 Str.	¾"	1 1/16"	15G86R
54860	1/0 Str.–250 kcmil or ½"–¾" Rod	1/0 Str.–2/0 Str.	#3 Rebar ¾ thru ½ #4 Rebar	1/0 Str.–2/0 Str.	¾"	2 3/16"	15G86R
54865-CK	1/0 Str.–250 kcmil or ½"–¾" Rod	3/0 Str.–250 kcmil	#3 Rebar ¾ thru ½ #4 Rebar	3/0 Str.–250 kcmil	¾"	2 3/16"	15G86R
54875	#6 Sol.–#2 Str.	#6 Sol.–#2 Str.	—	—	¾"	2 3/16"	15501A
54885	250 kcmil–500 kcmil or ¾"–¾" Rod	#4 Sol.–#2 Str.	#5 Rebar ¾ thru ¾ #6 Rebar	#4 Sol.–#2 Str.	¾"	1 1/16"	15G126R
54890	250 kcmil–500 kcmil or ¾"–¾" Rod	1/0 Str.–2/0 Str.	#5 Rebar ¾ thru ¾ #6 Rebar	1/0 Str.–2/0 Str.	¾"	2 1/16"	15G126R
54895	250 kcmil–500 kcmil or ¾"–¾" Rod	3/0 Str.–250 kcmil	#5 Rebar ¾ thru ¾ #6 Rebar	3/0 Str.–250 kcmil	¾"	2 3/16"	15G126R
54900	250 kcmil–500 kcmil or ¾"–¾" Rod	350 kcmil–500 kcmil	#5 Rebar ¾ thru ¾ #6 Rebar	350 kcmil–500 kcmil	1 1/8"	2 1/16"	15G121R

* Tin-plated version available for galvanized ground rods. Add suffix -TP.

Figure 8 Compression Ground Rod Tap Connector

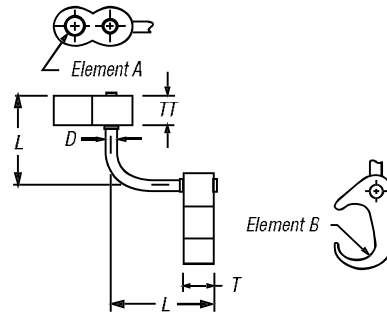


DB **IEEE**
MEETS
837 REQUIREMENTS

CAT. NO.	A GROUND ROD	B CABLE RANGE	DIMENSIONS (IN.)		DIES FOR TBM14M, 13100A OR TBM15I
			T	H	
GR12-202	½"	#2 AWG–2/0 AWG	½"	1 1/16"	15G121R
GR58-202	¾"	#2 AWG–2/0 AWG	¾"	1 3/32"	15G121R
GR34-202	¾"	#2 AWG–2/0 AWG	¾"	2 1/16"	15G121R
GR1-202	1"	#2 AWG–2/0 AWG	¾"	2 1/16"	15G121R
GR12-40250	½"	3/0 AWG–250 kcmil	½"	1 1/16"	15G121R
GR58-40250	¾"	3/0 AWG–250 kcmil	¾"	2 1/8"	15G121R
GR34-40250	¾"	3/0 AWG–250 kcmil	¾"	2 3/16"	15G121R
GR1-40250	1"	3/0 AWG–250 kcmil	¾"	2 1/16"	15G121R
GR58-300500	¾"	300–500 kcmil	¾"	2 1/8"	15G121R
GR34-300500	¾"	300–500 kcmil	¾"	2 1/16"	15G121R
GR1-300500	1"	300–500 kcmil	¾"	2 1/16"	15G121R

EZGround™ Compression Grounding Connectors

Figure 6 to 8 Compression Ground Rod to Grid Connectors



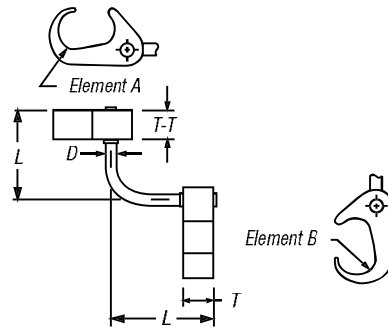
DB MEETS IEEE 837 REQUIREMENTS

CAT. NO.	A GROUND ROD	B CABLE RANGE	DIMENSIONS (IN.)			DIES FOR TBM14M, 13100A OR TBM15I	
			D	L	ELEMENT A	ELEMENT B	
54855LR12*	1/2"	#2 AWG-250 kcmil	5/16"	2 1/2"	15G86R	15G121R	
54885LR12*	1/2"	250 kcmil-500 kcmil	5/16"	2 1/2"	15G126R	15G121R	
54865LR58*	5/8"	#2 AWG-250 kcmil	5/16"	2 1/2"	15G86R	15G121R	
54895LR58*	5/8"	250 kcmil-500 kcmil	5/16"	2 1/2"	15G126R	15G121R	
54875LR34*	3/4"	#2 AWG-250 kcmil	1/2"	2 3/4"	15G86R	15G121R	
54900LR34*	3/4"	250 kcmil-500 kcmil	1/2"	2 3/4"	15G121R	15G121R	
54910LR100	1"	#2 AWG-250 kcmil	1/2"	2 3/4"	15G86R	15G121R	
54920LR100	1"	250 kcmil-500 kcmil	1/2"	2 3/4"	15G126R	15G121R	

* Tin-plated version available for galvanized ground rods. Add suffix -TP.

Connectors & Grounding — Blackburn® Grounding Systems

Figure 6 to 6 Compression Ground Grid Connectors



DB MEETS IEEE 837 REQUIREMENTS

CAT. NO.	CABLE TO CABLE		ELEMENT B TO GROUND ROD	ELEMENT B TO REBAR	DIMENSIONS (IN.)			DIE SELECTION FOR TBM14M, 13100A OR TBM15I	
	ELEMENT A	ELEMENT B			D	T	T-T	A	B
54855L	#6 Sol.-#2 Str.	#6 Sol.-#2 Str.	—	—	7/8"	3/4"	3/4"	15501A	15501A
54865L	#1 Str.-250 kcmil	#6 Sol.-#2 Str.	1/2"-5/8"	3/8"-1/2" #3-#4 Rebar	1/8"	3/4"	3/4"	15G86R	15501A
54875L	#2 Str.-250 kcmil	#2 Str.-250 kcmil	1/2"-5/8"	3/8"-1/2" #3-#4 Rebar	1/8"	3/4"	3/4"	15G86R	15G86R
54885L	250 kcmil-500 kcmil	#6 Sol.-#2 Str.	5/8"-1 1/2"	5/8"-3/4" #5-#6 Rebar	3/8"	3/4"	3/4"	15G126R	15501A
54895L	250 kcmil-500 kcmil	#2 Str.-250 kcmil	5/8"-1 1/2"	5/8"-3/4" #5-#6 Rebar	1/8"	3/4"	3/4"	15G126R	15G86R
54900L	250 kcmil-500 kcmil	250 kcmil-500 kcmil	5/8"-1 1/2"	5/8"-3/4" #5-#6 Rebar	1/8"	1 1/8"	1 1/8"	15G121R15	G121R