

35kV	200A Loadbreak Elbow	w/ Test Point	376LR-W5X
------	----------------------	---------------	-----------



## 376LR Loadbreak Elbow Connector

### Applications:

The Elastimold® 376LR Elbow Connector is a fully rated 35kV, 200 Amp Class loadbreak connector. It includes provisions for energized operation using standard hot stick tools allowing loadmaking/loadbreak operation and a visible disconnect. It has a standard interface for connecting to 35kV, 200 Amp bushing inserts, junctions and operating accessories. The 376LR is equipped with an integral voltage test point. The 375LR is designed for connecting to and operating 35kV Class, 200 Amp distribution apparatus. It provides a convenient method to connect or disconnect systems. The 376LR allows connection of cables with insulation diameters from .850" (21.6mm) to 1.465" (37.2mm) with only four elbow sizes. (1/0 solid, 345 mil to 4/0 stranded, 345 mil)

### Features:

- 35kV, 200 Amp Loadbreak Elbow
- Fully shielded, fully submersible molded rubber housing
- 100% peroxide-cured construction includes insulation and conductive EPDM materials
- Provision for hot stick operation
- Provision for ground wire connection
- Wide cable range with minimum number of sizes
- Long bi-metal compression lug is standard
- Non-corrosive capacitive voltage test point

### Ratings:

Meets ANSI/IEEE Standard 386, Latest Revision

#### For 35kV Voltage Class 1 Ø and 3 Ø:

21.1kV Max Phase-to-Ground – Operating Voltage  
 36.6kV Max Phase-to-Phase  
 150kV BIL – Impulse Withstand (1.2 x 50 microsecond wave)  
 50kV AC – One minute withstand  
 103kV DC – 15 minutes withstand  
 26kV AC – Corona Extinction @ 3p.C. sensitivity  
 200 Amp – Continuous and Loadbreak  
 10kA Sym – 10 Cycles Momentary & Fault Close

35kV	200A Loadbreak Elbow	w/ Test Point	376LR-W5X
------	----------------------	---------------	-----------

## CATALOG NUMBER SELECTION

### Step 1 (W)

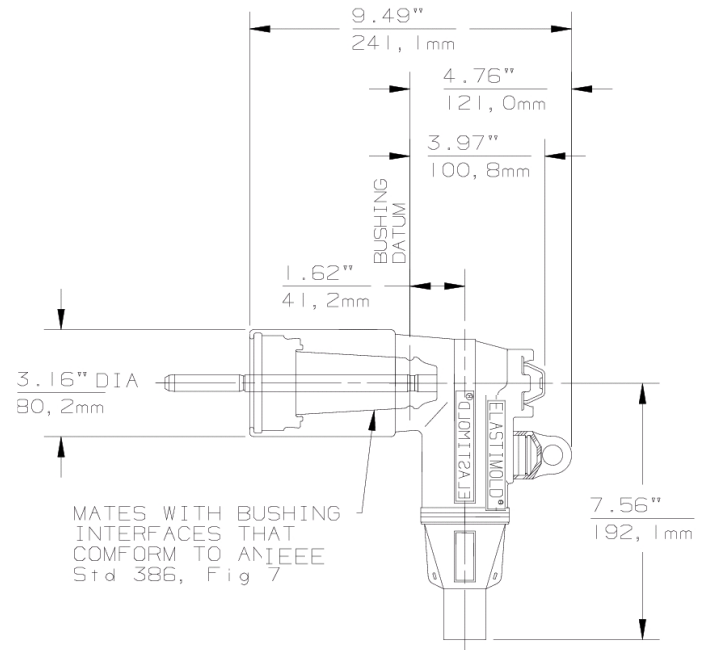
Determine the insulation diameter of the cable.  
Select the insulation letter code that best straddles the insulation diameter from W table below. Insert code into catalog number.

### Step 2

Insert conductor material code from the Material Code table.

### Step 3 (X)

Choose the proper compression lug code according to the conductor size from the Conductor Code Table. Insert code into catalog number.



Material Code	
Copper*	2
Bi-metal**	5



Cable Insulation Diameter in Inches		Cable Insulation Diameter in mm		Symbol for W
MIN.	MAX.	MIN.	MAX.	
.850	1.050	21.59	26.67	H
.980	1.180	24.89	29.97	J
1.090	1.310	27.69	33.27	K
1.235	1.465	31.37	37.21	L

XXX Code	Conductor Size AWG or kcmil			Connector only	
	Strand./ Compr.	Solid/ Comp.	mm <sup>2</sup>	Bi-Metal	Copper
240	1/0	2/0	53.49	02500240	02702240
250	2/0	3/0	67.43	02500250	02702250
260	3/0	4/0	85.01	02500260	02702260
270	4/0	250	26.67	02500270	02702270

### Example:

The ordering number for an Elbow Connector for a 1/0 compressed/stranded, 345 mil wall cable with an insulation diameter of 1.045" to 1.145" and test point is 376LR-J5240.

### Each kit contains the following:

1	Elbow connector housing	376BLR-W
1	Bi-metal compression lug	02500XXX
1	Probe	375LRF
1	Probe wrench	271-94
1	Tube, lubricant	82-08
1	Installation instruction	IS-0359
1	Crimp chart	CC-0024

### Notes:

\* Copper compression lug suitable for all copper conductors only.

\*\* Bi-metal compression lug with universal aluminum barrel suitable for copper or aluminum conductors.