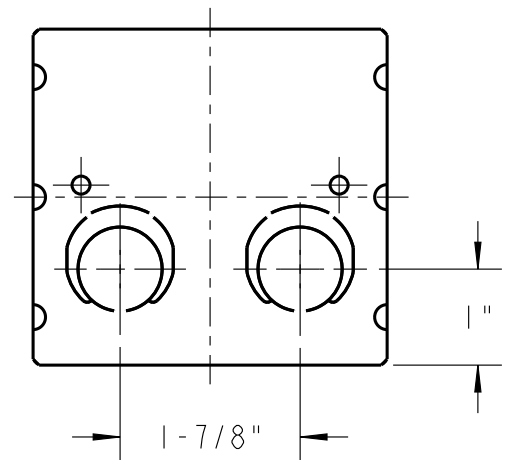
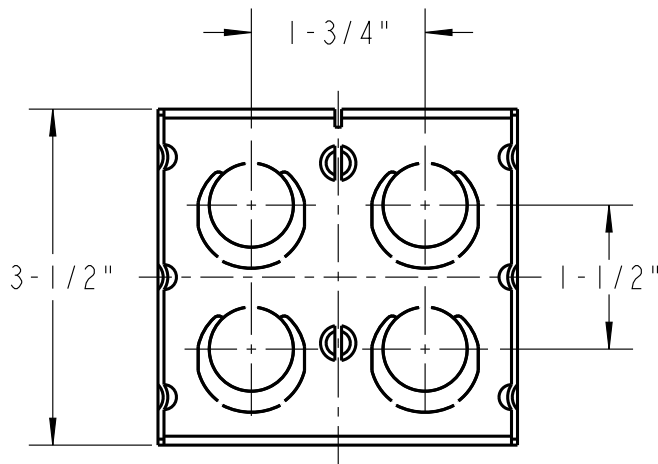
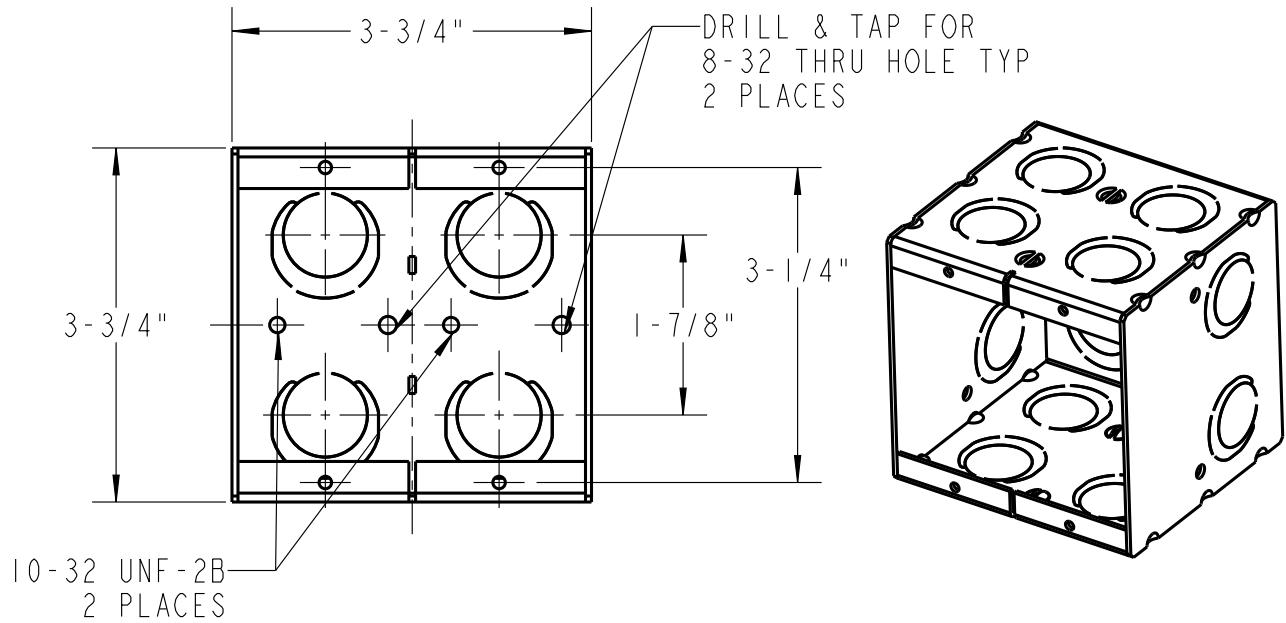




# Steel City



### NOTES:

1. MATERIAL: PRE-GALVANIZED STEEL.
2. THE QUANTITY OF ECCENTRIC 1/2" AND 3/4" KNOCKOUTS: 16.
3. THE CUBIC INCH VOLUME: 44 CU. IN.
4. FOR LOW VOLTAGE PARTITION APPLICATIONS USE CATALOG NO. MBP.

### GENERAL NOTES

1. ALL DIMENSIONS ARE FOR REFERENCE ONLY.
2. DIMENSIONS IN BRACKETS [ ] ARE IN METRIC UNITS.

www.tnb.com

## Thomas & Betts

A Member of the ABB Group

DESCRIPTION:

### 2-MB MASONRY BOX

### REVISIONS

0 SEE ERN ( \*\*\*\* )  
FOR APPROVAL SIGNATURES  
& RELEASE DATE.  
PROJECT NO: \*\*\*\*

ORIGINAL PROJECT NO / ( ERN NO )

001M001231 / ( 2017980 )

SHEET NO:

1 OF 1

REV. NO:

0

DRAWING NO:

WSD-001824