

Issue Date: 10/25/2012

Page: 1 of 2

File: PSS-750CP

35kV	600A Deadbreak Connecting Plug	750CP
------	--------------------------------	-------



Features:

- 35kV 600 Deadbreak rated
- 100% peroxide-cured construction includes insulation and conductive EPDM materials
- Allows de-energized connection of two 600 Amp connectors
- Available with or without stud
- Torque control with 600ATM and torque wrench

750CP Connecting Plug

Applications:

The Elastimold® 750CP connecting plug is an insulated bus that is used to attach and connect two or more Elastimold® 755LR/756LR 600 Amp connectors. Units use a 600ATM spanner wrench for installation.

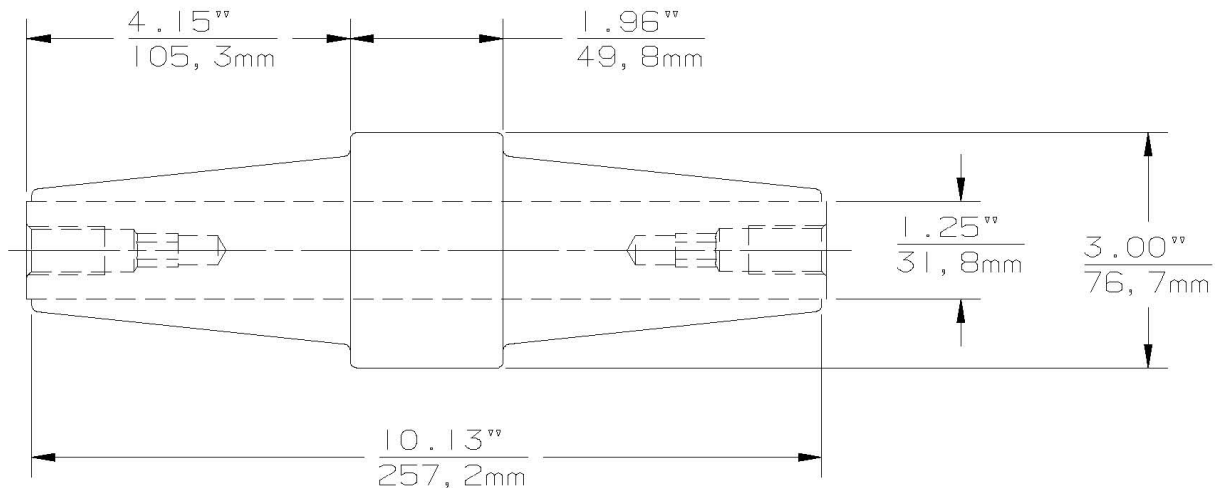
Ratings:

Meets ANSI/IEEE Standard 386, Latest Revision

For 35kV Voltage Class:

21.1kV Max Phase-to-Ground – Operating Voltage
 36.6kV Max Phase-to-Phase
 150kV BIL – Impulse Withstand (1.2 x 50 microsecond wave)
 50kV AC – One minute withstand
 103kV DC – 15 minutes withstand
 26kV AC – Corona Extinction @ 3pC sensitivity
 600 Amp – Continuous
 25kA Sym – 10 Cycles Momentary

35kV	600A Deadbreak Connecting Plug	750CP
------	--------------------------------	-------



Ordering Instructions:

To order 35kV 600 Amp connecting plug specify **750CP**.

Each kit contains the following:

1	Connecting Plug	750CP
1	Tube, lubricant	82-08
1	Installation instruction	IS-0230
1	Installation Instruction	IS-0915

Note:

- Available with the stud factory-assembled by adding "SP" to the part number.
- Available with a loose stud by adding suffix "S" to the part number.