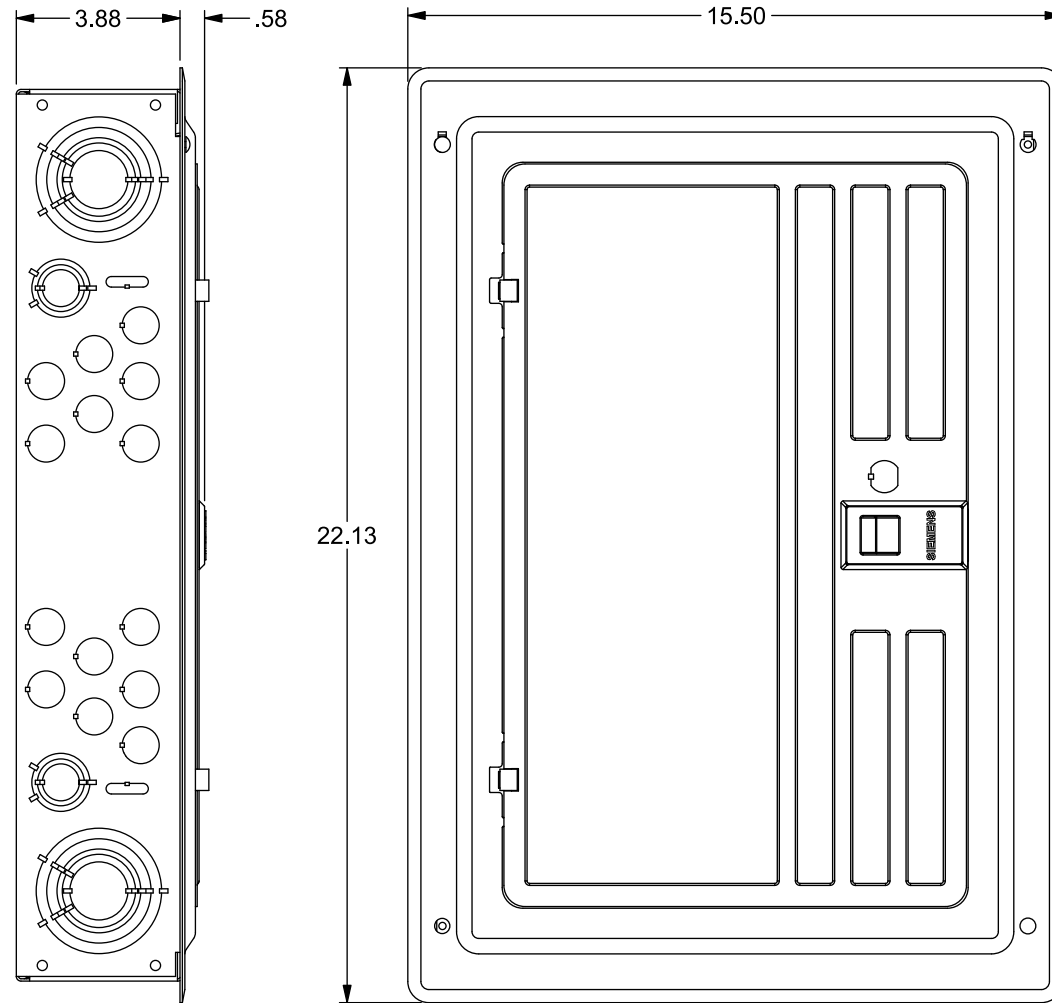


Catalog Numbers, Features and Ratings

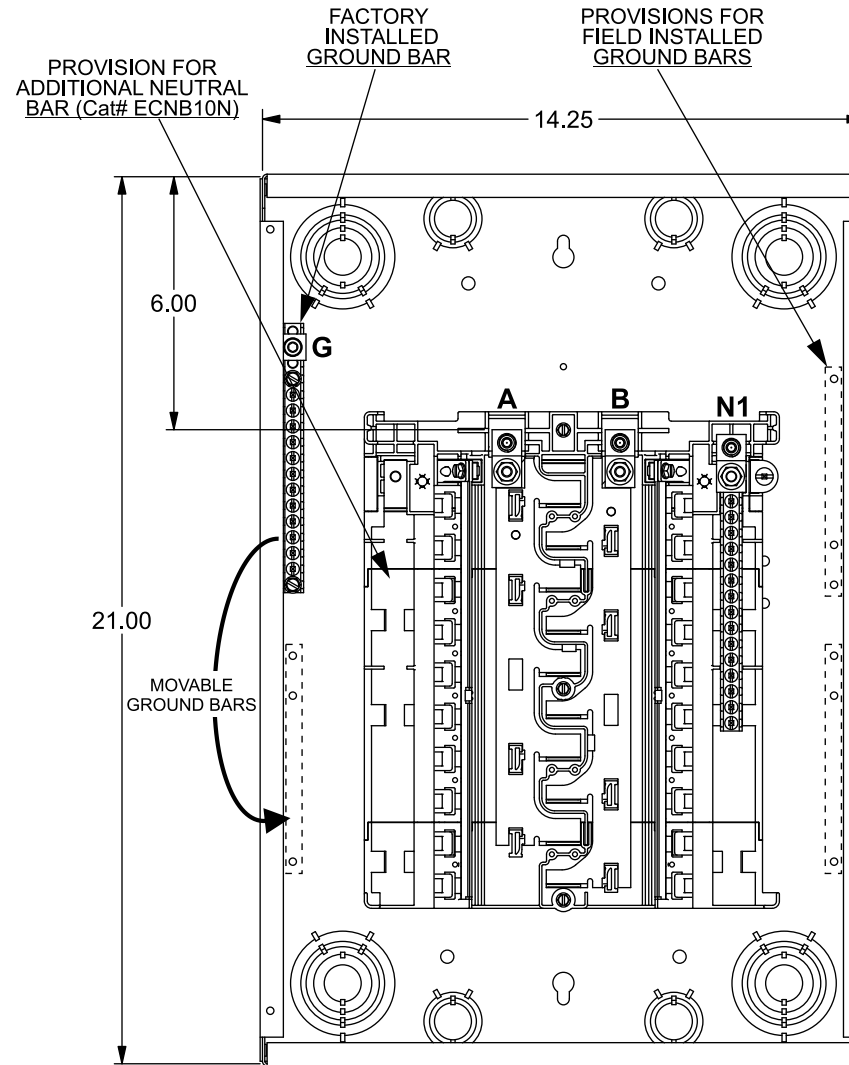
- 1 PHASE, 3 WIRE, 120/240V ~
- 100K AIC MAX. RATED (SEE WIRING DIAGRAM FOR DETAILS)
- MAIN LUG ONLY
- INVERTIBLE
- TYPE N1 INDOOR ENCLOSURE
- ANSI 61 GRAY POWDER COATED ENCLOSURE (SEE CHART FOR TRIM/DOOR COLOR)
- DESIGNED FOR USE WITH PLUG-ON NEUTRAL BREAKERS



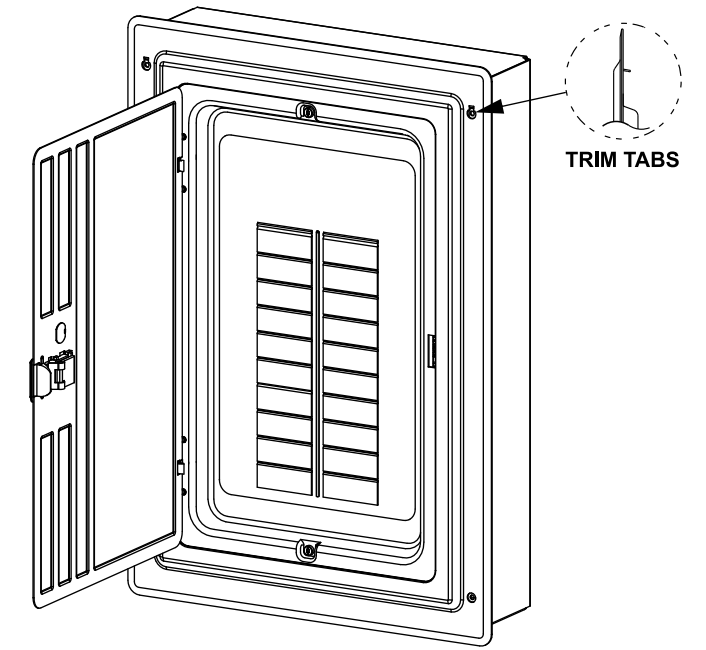
Catalog Number	ENCLOSURE DIMS (Inside)			Amps Max	Number Spaces	Number Circuits	Bus Bar Material	Bus Bar Plating	Trim Color
	L	W	D						
SN2020L1125	21.00	14.25	3.88	125	20	20	Aluminum	Tin Plated	Gray
SN2020L1125W	21.00	14.25	3.88	125	20	20	Aluminum	Tin Plated	White



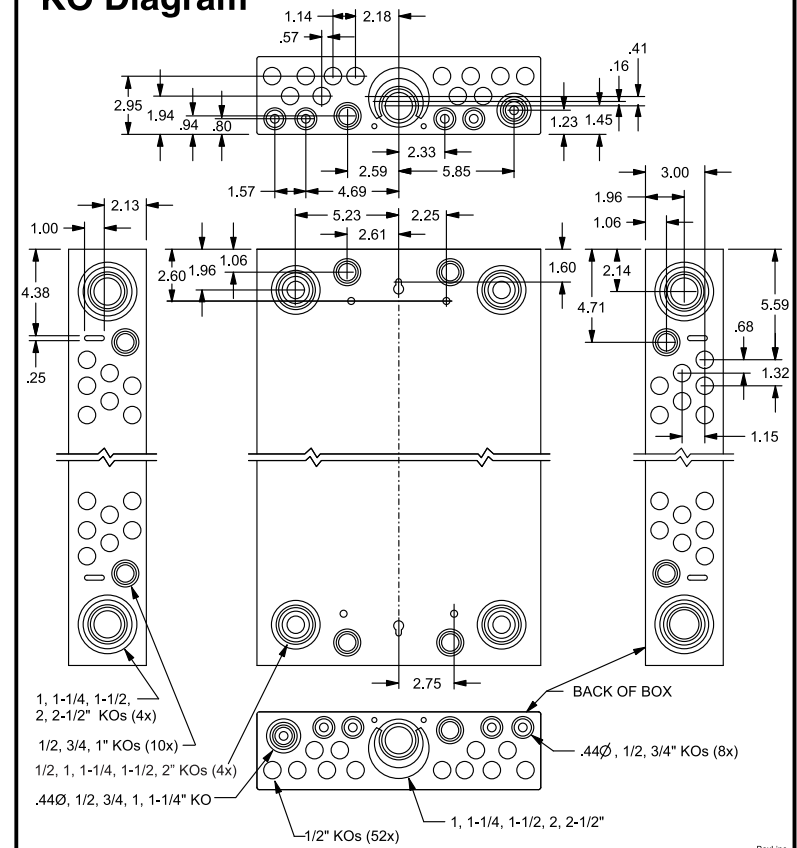
VIEW SHOWN WITH TRIM ASSEMBLY REMOVED



Trim/Door Detail



KO Diagram



TERMINAL WIRE SIZES AND TORQUES

USE COPPER OR ALUMINUM 60°/75°C WIRE
SEE BREAKER MARKINGS FOR WIRE SIZE AND TORQUE REQUIREMENTS

TERMINALS	WIRE	TORQUE
A, B, G, N1	2/0 - 4 AWG	110 LB-IN
NEUTRAL/GROUND BARS (USE TYPE EC2GB or EC3GB GND BAR KIT and ECNB10N NEUTRAL BAR KIT ACCY)	10-14 CU/10-12 AL	20 LB-IN
	8 AWG	25 LB-IN
	6-4 AWG	35 LB-IN
GROUND CONDUCTORS ONLY	(2) or (3) 14 AWG (2) 12-10 AWG	20 LB-IN 20 LB-IN
N2 ECLK2N NEUTRAL LUG	2/0 - 4 AWG	110 LB-IN
ECLK1-2 NEUTRAL LUG KIT	2/0 - 4 AWG	45 LB-IN
ECLK2 NEUTRAL LUG KIT	2/0 - 4 AWG	135 LB-IN
MAIN LUG TO BUS CONNECTION (1/4-20 NUT)		45 LB-IN
BONDING SCREW		45 LB-IN

ACCESSORIES

REFER TO WIRING DIAGRAM FOR CORRECT ACCESSORY USAGE

ACCESSORIES	
DESCRIPTION	CAT. NO.
DOOR LOCK	ECQFL2
FILLER PLATE, 1"	QF3
BREAKER HOLD-DOWN/BARRIER	ECMBR2
SUBFEED LUG KIT	ECLK2125
100-125 AMP MAIN LUG KIT	ECMLK125
STANDBY PWR INTERLOCK KIT	ECSBPK01 ECSBPK02
SURF. MOUNT SPACER KIT	ECSMK1
ARC FLASH LABEL	ECAFL

GROUND BAR KITS	
DESCRIPTION	CAT. NO.
TYPE EC2GB KIT, 12 SCREWS	EC2GB12
TYPE EC2GB KIT, 12 SCREWS, 2/0 LUG	EC2GB122
TYPE EC2GB KIT, 15 SCREWS	EC2GB15
TYPE EC2GB KIT, 15 SCREWS, 2/0 LUG	EC2GB152
TYPE EC3GB KIT, 21 SCREWS	EC3GB21
TYPE EC3GB KIT, 21 SCREWS, 2/0 LUG	EC3GB212
TYPE EC3GB KIT, 27 SCREWS	EC3GB27
TYPE EC3GB KIT, 27 SCREWS, 2/0 LUG	EC3GB272
TYPE EC3GB KIT, 30 SCREWS	EC3GB30
TYPE EC3GB KIT, 30 SCREWS, 2/0 LUG	EC3GB302
TYPE EC3GB KIT, 35 SCREWS, 2/0 LUG	EC3GB352

© 2020 Copyright Siemens Industry, Inc.

SIEMENS
Siemens Industry, Inc.

Load Center

Description: **SN Series, 1 Phase, Indoor, 125A 20 Pos, 20 Ckt, Main Lug**

KAM 2/28/20 DO NOT SCALE DRAWING Dwg No: **SN2020L1125-W**