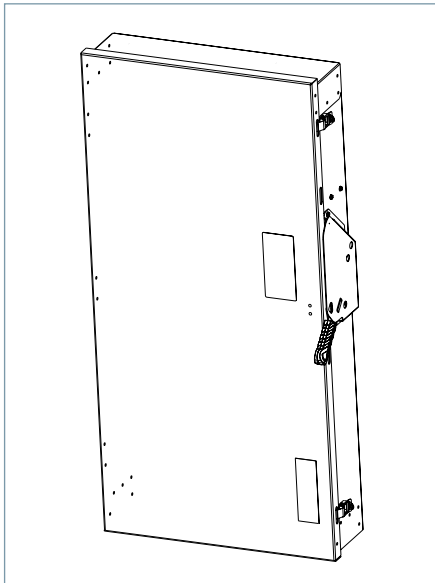


Heavy Duty Safety Switch

400A 600V, Type 1

Data Sheet



Standards and Ratings

- UL listed under file #E4776
- CSA listed under file #154852
- Meets NEMA Standard KS-1 for enclosed switches
- Meets NEC wire bending space requirements
- Rated 10,000 AIC as standard or 200,000 when protected by Class R, T or J fuses rated 400 amp maximum
- I2t rated (Amps² x Seconds = 6,000,000)
- 12X overload current rating exceeds 10X industry standard
- Suitable for use as service entrance equipment

Features

- Quick-make and break switching action
- Visible blade design
- Highly visible ON/OFF indication
- Modular design allows quick and easy replacement of parts
- Defeatable dual cover interlock
- Compact one piece light weight construction enables easier installation
- Can utilize either one large or two small wires
- Spring loaded heat sink fuse clip
- One piece line and load base for consistent phase-to-phase alignment
- Extra ground lug on neutral
- Tangential knock out
- Lay in Lugs for easy wiring
- Window permits viewing of visible blade

Product Specifications

Heavy Duty 400A 600V, Type 1

General Information

| Catalog Number | Description | Shipping Weight |
|----------------|--|-----------------|
| HNF365A | Heavy Duty Non-Fused 3 Pole 600V 400A Type 1, Indoor | 75 |
| HF365A | Heavy Duty Fused 3 Pole 600V 400A Type 1, Indoor | 93 |
| HF365NA | Heavy Duty Fused 3 Pole 600V 400A Neutral Type 1, Indoor | 94.6 |
| HFC365NA | CSA Heavy Duty Fused 3 Pole 600V 400A Neutral Type 1, Indoor | 94.6 |

Maximum Horsepower Ratings

| Catalog Number | 1 Phase, 240V AC | 3 Phase, 240V AC | 1 Phase, 480V AC | 3 Phase, 480V AC | 1 Phase, 600V AC | 3 Phase, 600V AC | 250V DC | 600V DC |
|----------------|------------------|------------------|------------------|------------------|------------------|------------------|---------|---------|
| HNF365A | — | 125 | — | 250 | — | 350 | 50 | 50 |
| HF365A | — | 125 | — | 250 | — | 350 | 50 | 50 |
| HF365NA | — | 125 | — | 250 | — | 350 | 50 | 50 |
| HFC365NA | — | 125 | — | 250 | — | 350 | 50 | 50 |

Accessories & Hub Kits

| Catalog Number | Description |
|----------------|-------------------------------------|
| HA161234 | Aux. Switch (1NO - 1NC) |
| HA261234 | Aux. Switch (2NO - 2NC) |
| HA361234 | Low Voltage Aux. SW. (1NO - 1NC) |
| HN656A | Neutral |
| HN656A | 200% Neutral |
| HG656A | Ground Lug |
| HG2656A | Isolated Ground |
| HR65A | R Fuse (400A) |
| HT65A | T Fuse (400A, 600V) |
| HCU656A | Copper Lug Kit ^① |
| HCM65A | Field Replacement Kit (400A, fused) |

Replacement Parts

| Catalog Number | Description |
|-------------------------|-------------------------------|
| HFB65A | Line Base Fused 400A |
| HBB65A | Load Base Fused 400A |
| HL656A | Lug Cap Kit (AL) 400-600A |
| HM656A | Mechanism 400A-600A |
| HH656A | Handle/Handle Guard 400A-600A |
| Catalog Number + "DOOR" | Door |

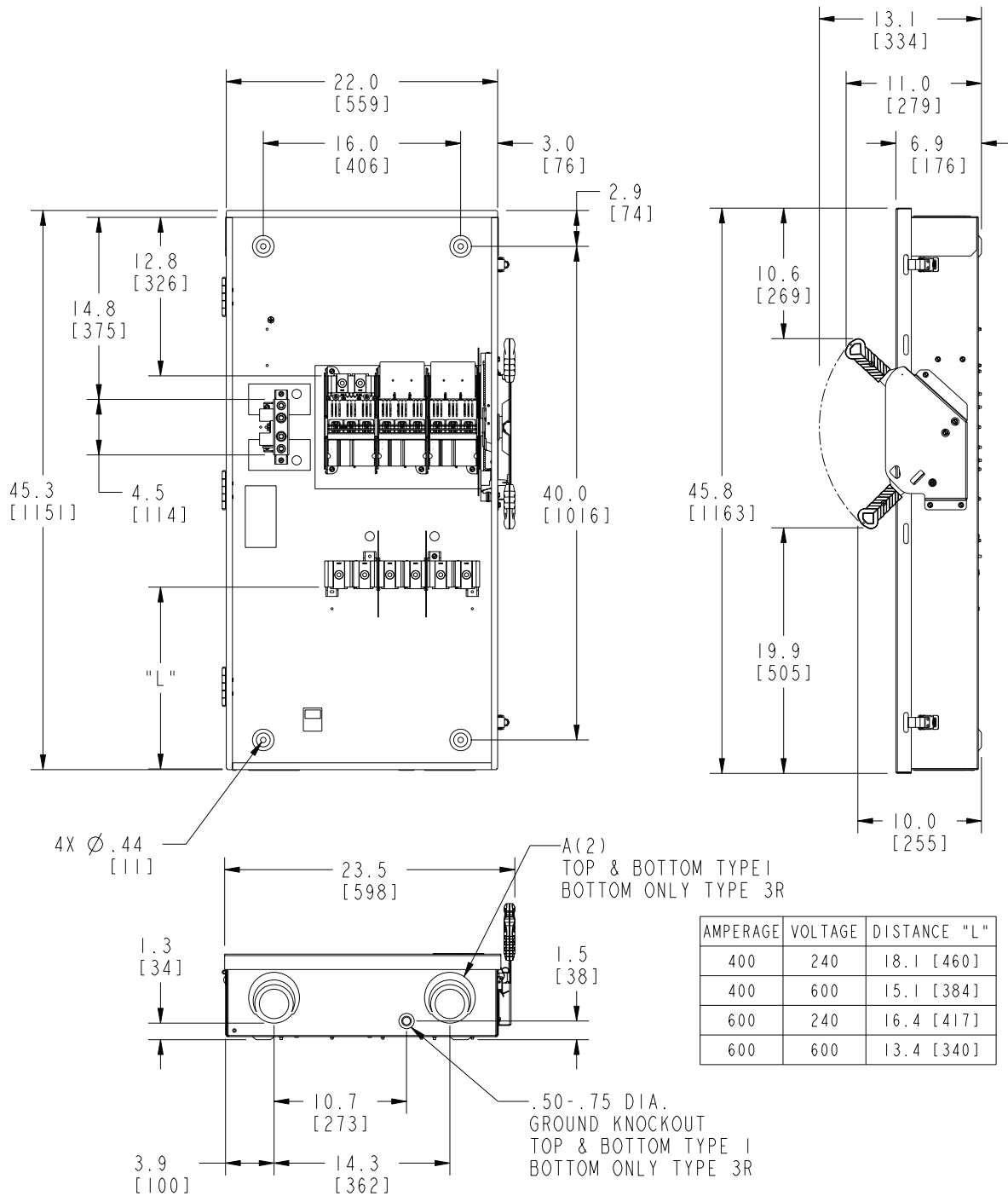
Mechanical Lug Wire Ranges

| Description | Wire Range |
|---------------------------------------|--|
| Line, Load, & Main Neutral (NonFused) | (1) 1/0 AWG - 600 kcmil or (2) 1/0 AWG - 500 kcmil |
| 100% Neutral | (2) 1/0 - 600 Kcmil or (2) 6 - 300 Kcmil |
| 200% Neutral | (2) 1/0 - 600 Kcmil or (2) 6 - 300 Kcmil |
| Equipment Ground | (2) 14 - 2/0 AWG |

^① Purchase field replacement kit along with lugs. (See Speedfax pg. 4-20)

Dimension Drawings

Heavy Duty 400A 600V, Type 1 (Fusible)

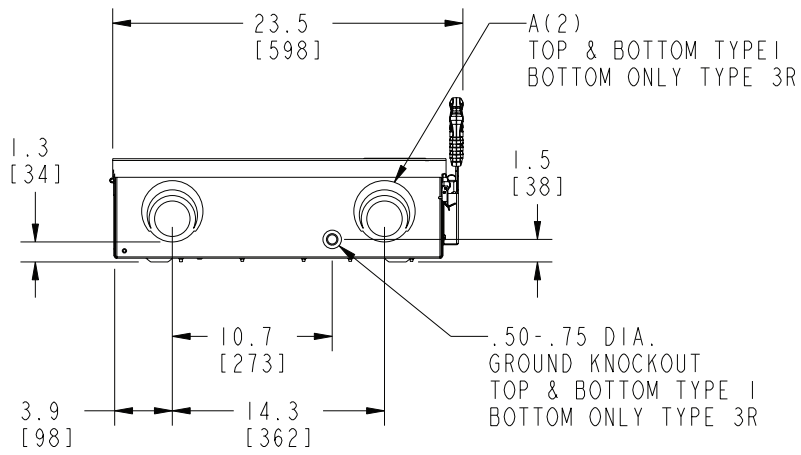
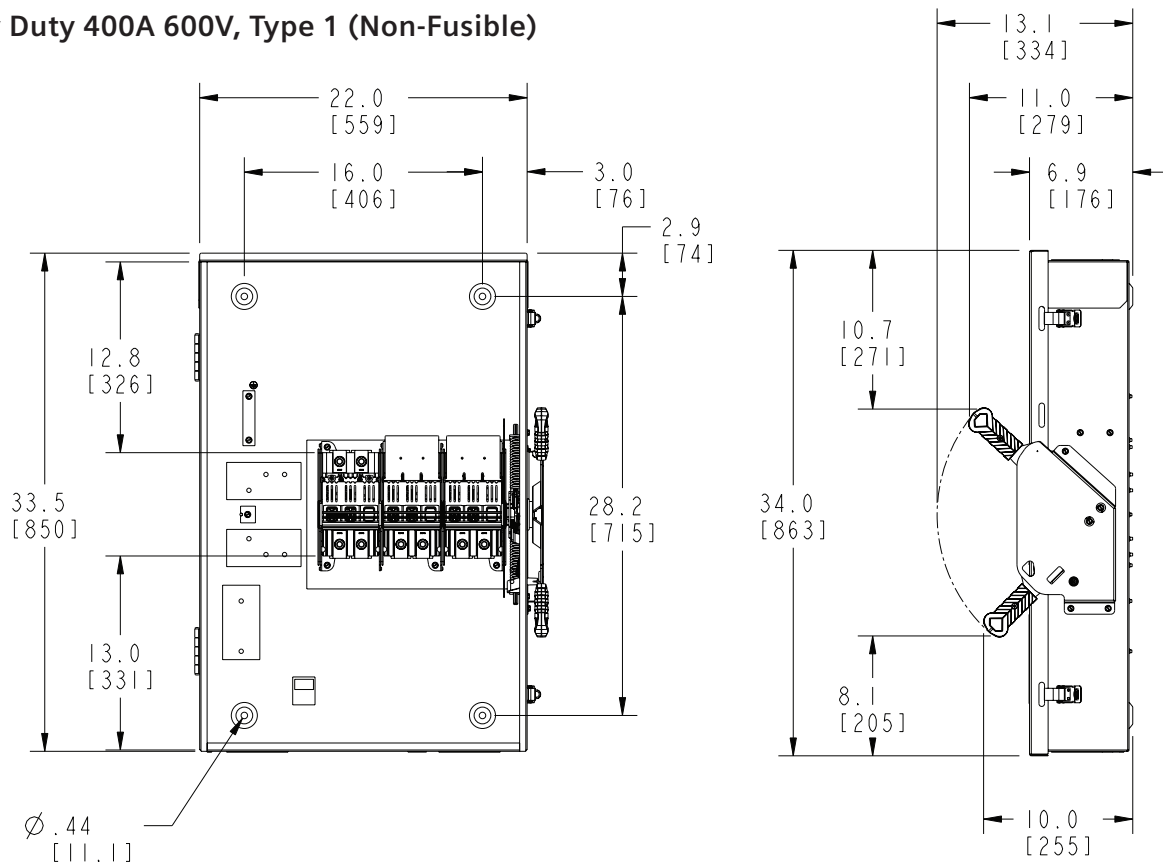


Dimensions shown in inches and millimeters [].
Dimensions shown accurate to $\pm 1/8$ inch.

| KNOCKOUT CODE | CONDUIT SIZE | | | |
|----------------|--------------|------|------|------|
| A (Tangential) | 2.00 | 2.50 | 3.00 | 3.50 |

Enclosure:
Cold Rolled Steel Type 1
Galvanized Steel Type 3R
.060 thick (16 gauge)
Finish: ANSI Grey #61 Paint

Heavy Duty 400A 600V, Type 1 (Non-Fusible)



Dimensions shown in inches and millimeters [].
Dimensions shown accurate to $\pm 1/8$ inch.

| KNOCKOUT CODE | CONDUIT SIZE | | | |
|----------------|--------------|------|------|------|
| A (Tangential) | 2.00 | 2.50 | 3.00 | 3.50 |

Enclosure:
Cold Rolled Steel Type 1
Galvanized Steel Type 3R
.060 thick (16 gauge)
Finish: ANSI Grey #61 Paint

Siemens Industry, Inc.
5400 Triangle Parkway
Norcross, GA 30092

1-800-241-4453
info.us@siemens.com

Order No. SSFL-H46T1-1115 | Printed in USA |
© 2015, Siemens Industry, Inc.

www.usa.siemens.com/switches

Subject to changes and errors. The information given in this document only contains general descriptions and/or performance features which may not always specifically reflect those described, or which may undergo modification in the course of further development of the products. The requested performance features are binding only when they are expressly agreed upon in the concluded contract.