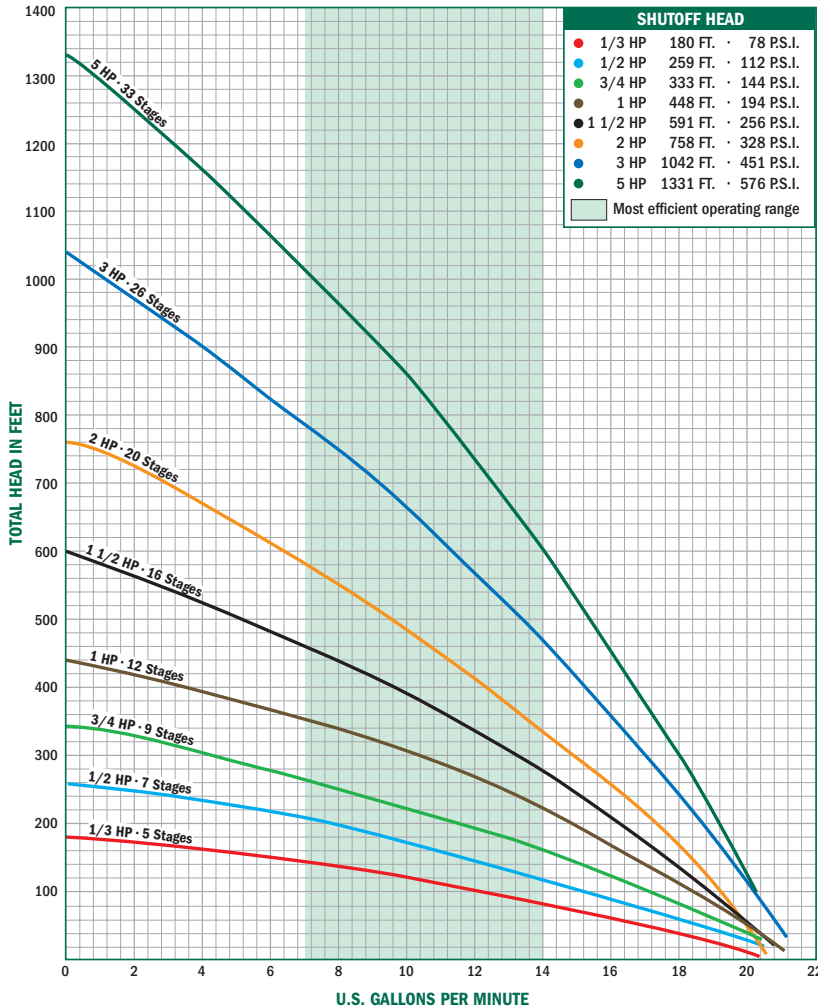


SUBMITTAL DATA SHEET

21000 Series 4" No-Lead Brass Submersible Pumps K Series - 10 GPM



All K Series No-Lead Pumps come with a 1 1/4" discharge and sizes range from 1/3 to 5 horse power (HP). Two wire models up to 1 1/2 horse power (HP) or three wire models up to 5 horse power (HP).



Models Available

Two Wire Single Phase

Model No.	HP	Stages	Volt	A	B	Wt.
21030K2A*	1/3	5	115	12.01"	9.53"	19
21030K2*	1/3	5	230	12.01"	9.53"	19
21050K2A	1/2	7	115	13.65"	9.53"	19
21050K2	1/2	7	230	13.65"	9.53"	27
21075K2	3/4	9	230	15.34"	10.66"	29
21100K2	1	12	230	17.89"	11.75"	32
21150K2	1 1/2	16	230	22.55"	15.12"	42

Three Wire** Single Phase

Model No.	HP	Stages	Volt	A	B	Wt.
21030K3A*	1/3	5	115	12.01"	9.53"	19
21030K3*	1/3	5	230	12.01"	9.53"	19
21050K3A	1/2	7	115	13.65"	9.53"	19
21050K3	1/2	7	230	13.65"	9.53"	19
21075K3	3/4	9	230	15.34"	10.66"	29
21100K3	1	12	230	17.89"	11.75"	33
21150K3	1 1/2	16	230	22.55"	13.62"	38
21200K3	2	20	230	25.95"	15.12"	46
21300K3	3	26	230	31.06"	19.06"	70
21500K3	5	33	230	36.99"	29.62"	91

Three Wire** Three Phase

Model No.	HP	Stages	Volt	A	B	Wt.
21150K3Z	1 1/2	16	230	22.55"	11.75"	35
21150K3Y	1 1/2	16	460	22.55"	11.75"	35
21200K3Z	2	20	230	25.98"	13.62"	43
21200K3Y	2	20	460	25.98"	13.62"	43
21300K3Z	3	26	230	31.06"	16.04"	60
21300K3Y	3	26	460	31.06"	16.04"	60
21500K3Z	5	33	230	36.99"	29.62"	76
21500K3Y	5	33	460	36.99"	23.62"	76

*All one-third horsepower pumps are furnished with one-half horsepower motors (and control boxes where applicable).
 **All three wire pumps are available in three phase by selecting pump end and appropriate motor and contactor.

NO-LEAD: The weighted average of the wetted surface of this no-lead product contacted by consumable water contains less than one quarter of one percent (0.25%) lead.



A.Y. McDonald Mfg. Co.
 P.O. Box 508
 Dubuque, IA 52004-0508

Toll Free: 1-800-292-2737
 Fax: 1-800-832-9296
 Hours: 7:00 a.m. - 5:00 p.m., CST

sales@aymcdonald.com
 www.aymcdonald.com

A.Y. McDonald considers the information on this assembly drawing correct when published. Item and option availability, including specifications, are subject to change without notice.

Submitted by:

SUBMITTAL DATA SHEET

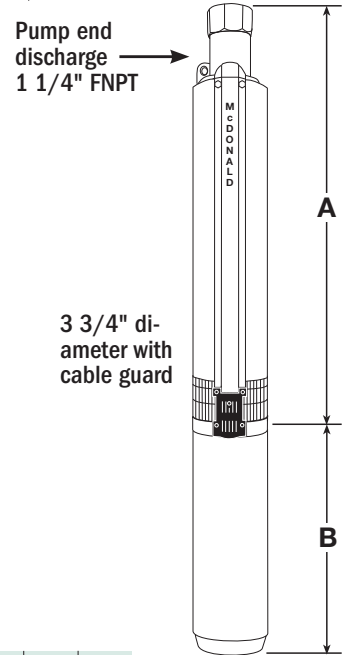
21000 Series 4" No-Lead Brass Submersible Pumps K Series - 10 GPM



All K Series No-Lead Pumps come with a 1 1/4" discharge and sizes range from 1/3 to 5 horse power (HP). Two wire models up to 1 1/2 horse power (HP) or three wire models up to 5 horse power (HP).

Output - in Gallons Per Minute (Depth to Water)

HP	PSI	1/3 HP							PSI	1/2 HP							PSI	3/4 HP							PSI	1 HP							PSI	1 1/2 HP							PSI	2 HP							PSI	3 HP										PSI	5 HP																																																																																				
		25'	50'	75'	100'	125'	150'	175'		25'	50'	75'	100'	125'	150'	175'		200'	225'	250'	275'	300'	325'	25'		50'	75'	100'	125'	150'	175'	200'		225'	250'	275'	300'	325'	350'	375'		400'	425'	50'	100'	150'	200'	250'		300'	350'	400'	450'	500'	550'	600'	650'	700'	750'		800'	850'	900'	950'	1000'	1050'	1100'	1150'	1200'	1250'	1300'																																																																										
1/3	0	18.78	16.62	14.27	11.68	8.75	5.31	0.93	0	19.90	18.49	16.99	15.40	13.69	11.84	9.79	7.49	4.78	1.32	1/2	0	19.90	18.49	16.99	15.40	13.69	11.84	9.79	7.49	4.78	1.32	3/4	0	20.36	19.26	18.12	16.93	15.67	14.35	12.95	11.45	9.83	8.05	6.06	3.75	0.89	1	0	20.86	20.05	19.22	18.36	17.47	16.55	15.60	14.61	13.57	12.48	11.33	10.10	8.79	7.37	5.81	4.06	2.00	1 1/2	0	20.18	18.95	17.66	16.31	14.87	13.34	11.69	9.89	7.88	5.58	2.80	2	0	19.85	18.89	17.89	16.85	15.78	14.66	13.49	12.26	10.96	9.59	8.11	6.51	4.75	2.77	0.46	3	0	21.05	20.27	19.48	18.67	17.84	16.99	16.11	15.22	14.30	13.35	12.36	11.35	10.30	9.20	8.05	6.85	5.59	4.24	2.81	1.26	5	0	20.96	20.39	19.81	19.22	18.62	18.01	17.38	16.74	16.09	15.42	14.74	14.04	13.32	12.58	11.82	11.04	10.22	9.38	8.51	7.60	6.64	5.64	4.58	3.45	2.24	0.93
	30	12.29	9.45	6.16	2.06	30	15.77	14.09	12.27	10.28	8.04	5.44	2.21	30	17.20	15.97	14.66	13.28	11.80		10.21	8.47	6.54	4.31	1.61	30	18.56	17.68	16.77	15.82	14.84		13.81	12.73	11.59	10.39	9.10	7.71	6.18	4.48	2.51	0.09	30	18.46	17.15	15.76		14.29	12.72	11.01	9.14	7.03	4.58	1.51	30	18.51	17.49	16.44	15.35	14.21	13.02	11.77	10.44	9.03	7.51		5.85	4.02	1.93	30	19.97	19.17	18.35	17.51	16.65	15.77	14.87	13.93		12.97	11.98	10.95	9.88	8.76	7.60	6.37	5.08	3.70	2.23	0.62	30	20.17	19.59	18.99	18.39		17.77	17.14	16.49	15.84	15.16	14.47	13.77	13.04	12.29	11.52	10.73	9.90	9.05	8.16	7.23	6.26	5.24	4.15	3.00	1.75	0.39																												
	40	9.68	6.43	2.42	40	14.22	12.42	10.44	8.22	5.66	2.49	40	16.06	14.76	13.39	11.92	10.34	8.61	6.69		4.49	1.84	40	17.75	16.84	15.89	14.91	13.89	12.81	11.68	10.48		9.20	7.82	6.30	4.61	2.67	0.29	40	17.86	16.52	15.09	13.58	11.95	10.17	8.20		5.95	3.27	40	18.04	17.01	15.94	14.83	13.67	12.45	11.17	9.80	8.34	6.76	5.03	3.09	0.84	40	19.60		18.79	17.96	17.12	16.25	15.36	14.44	13.49	12.52	11.51	10.46	9.37	8.23		7.04	5.78	4.45	3.03	1.50	40	19.90	19.31	18.71	18.10	17.48	16.84	16.19	15.53	14.85	14.15		13.43	12.70	11.94	11.16	10.35	9.51	8.64	7.74	6.79	5.80	4.75	3.63	2.43	1.14																																			
	50	6.70	2.76	50	12.56	10.60	8.40	5.87	2.76	50	16.91	15.97	14.99	13.97	12.90	11.77	10.58	9.30	7.93		6.42	4.75	2.83	0.50	50	16.91	15.97	14.99	13.97	12.90	11.77		10.58	9.30	7.93	6.42	4.75	2.83	0.50	50	17.25	15.87	14.41	12.84	11.15	9.29		7.20	4.78	1.78	50	17.57	16.52	15.44	14.30	13.11	11.87	10.55	9.14	7.63	5.98	4.16	2.10	50	19.23		18.41	17.58	16.72	15.84	14.94	14.01	13.05	12.05	11.03	9.96	8.85	7.69		6.47	5.18	3.81	2.34	0.75	50	19.63	19.04	18.43	17.82	17.19	16.54	15.89	15.21	14.53	13.82		13.09	12.35	11.58	10.79	9.97	9.11	8.23	7.31	6.34	5.32	4.24	3.09	1.85	0.50																																			
	60	3.10	60	10.75	8.58	6.08	3.03	60	16.04	15.06	14.05	12.98	11.86	10.67	9.40	8.04	6.54	4.89	2.99		0.70	60	16.62	15.21	13.70	12.08	10.31	8.36	6.14	3.49	0.02		60	17.09	16.03	14.92	13.76	12.55	11.27	9.91	8.46	6.89	5.17	3.25	1.02	60		17.09	16.03	14.92	13.76	12.55	11.27	9.91	8.46	6.89	5.17	3.25	1.02	60	18.85	18.03	17.18	16.32	15.43		14.51	13.57	12.59	11.58	10.54	9.45	8.32	7.13	5.88	4.56	3.14	1.62		60	19.36	18.76	18.15	17.53	16.89	16.24	15.58	14.90	14.20	13.49	12.75	12.00	11.22	10.41	9.58		8.71	7.81	6.86	5.87	4.83	3.72	2.53	1.24																																									



FRICITION LOSSES IN RISER PIPE HAVE NOT BEEN CALCULATED

NO-LEAD: The weighted average of the wetted surface of this no-lead product contacted by consumable water contains less than one quarter of one percent (0.25%) lead.



A.Y. McDonald Mfg. Co.
P.O. Box 508
Dubuque, IA 52004-0508

Toll Free: 1-800-292-2737
Fax: 1-800-832-9296
Hours: 7:00 a.m. - 5:00 p.m., CST

sales@aymcdonald.com
www.aymcdonald.com

A.Y. McDonald considers the information on this assembly drawing correct when published. Item and option availability, including specifications, are subject to change without notice.

Submitted by: