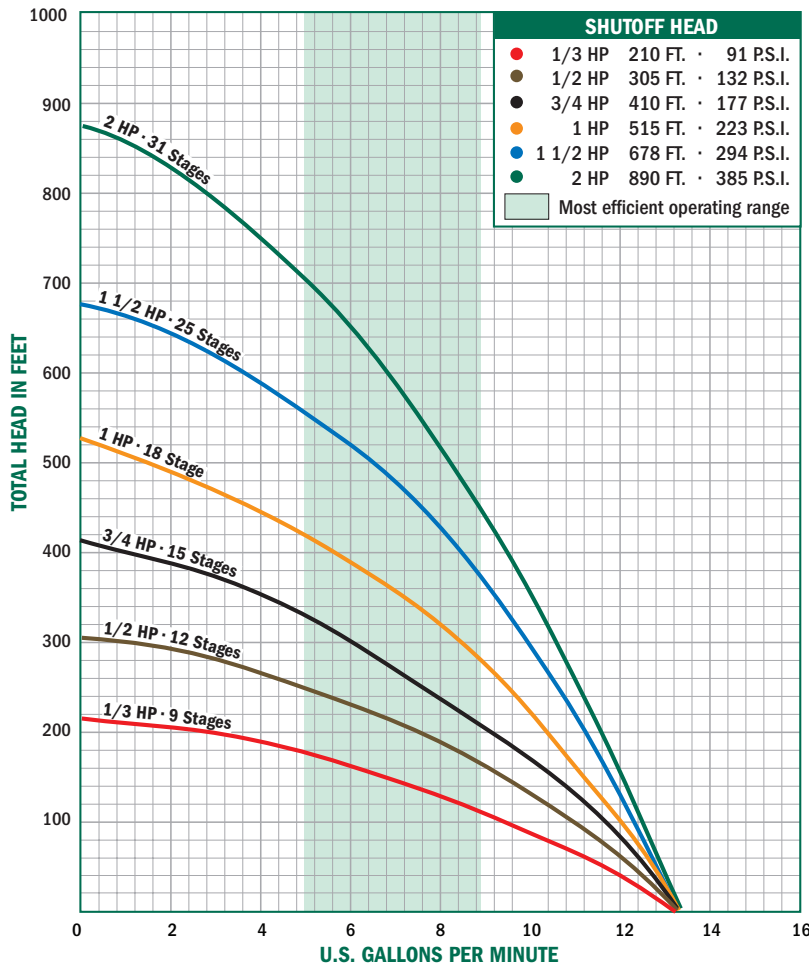


SUBMITTAL DATA SHEET

21000 Series 4" No-Lead Brass Submersible Pumps V Series - 7 GPM



All V Series No-Lead Pumps come with a 1 1/4" discharge and sizes range from 1/3 to 2 horse power (HP). Two wire models up to 1 1/2 horse power (HP) or three wire models up to 2 horse power (HP).



Models Available

Two Wire Single Phase

Model No.	HP	Stages	Volt	A	B	Wt.
21030V2A*	1/3	9	115	13.96"	9.53"	26
21030V2*	1/3	9	230	13.96"	9.53"	27
21050V2A	1/2	12	115	16.33"	9.53"	28
21050V2	1/2	12	230	16.33"	9.53"	28
21075V2	3/4	15	230	19.46"	10.66"	32
21100V2	1	18	230	21.77"	11.75"	36
21150V2	1 1/2	25	230	27.90"	15.12"	48

Three Wire** Single Phase

Model No.	HP	Stages	Volt	A	B	Wt.
21030V3A*	1/3	8	115	13.96"	9.53"	27
21030V3*	1/3	9	230	13.96"	9.53"	27
21050V3A	1/2	12	115	16.33"	9.53"	28
21050V3	1/2	12	230	16.33"	9.53"	28
21075V3	3/4	15	230	19.46"	10.66"	32
21100V3	1	18	230	21.77"	11.75"	37
21150V3	1 1/2	25	230	27.90"	13.62"	43
21200V3	2	31	230	33.28"	15.12"	51

Three Wire** Three Phase

Model No.	HP	Stages	Volt	A	B	Wt.
21150V3Z	1 1/2	25	230	27.90"	15.82"	43
21150V3Y	1 1/2	25	460	27.90"	15.82"	43
21200V3Z	2	31	230	33.28"	17.69"	51
21200V3Y	2	31	460	33.28"	17.69"	51

*All one-third horsepower pumps are furnished with one-half horsepower motors (and control boxes where applicable).

**All three wire pumps are available in three phase by selecting pump end and appropriate motor and contactor.

NO-LEAD: The weighted average of the wetted surface of this no-lead product contacted by consumable water contains less than one quarter of one percent (0.25%) lead.



A.Y. McDonald Mfg. Co.
P.O. Box 508
Dubuque, IA 52004-0508

Toll Free: 1-800-292-2737
Fax: 1-800-832-9296
Hours: 7:00 a.m. - 5:00 p.m., CST

sales@aymcdonald.com
www.aymcdonald.com

A.Y. McDonald considers the information on this assembly drawing correct when published. Item and option availability, including specifications, are subject to change without notice.

Submitted by:

SUBMITTAL DATA SHEET

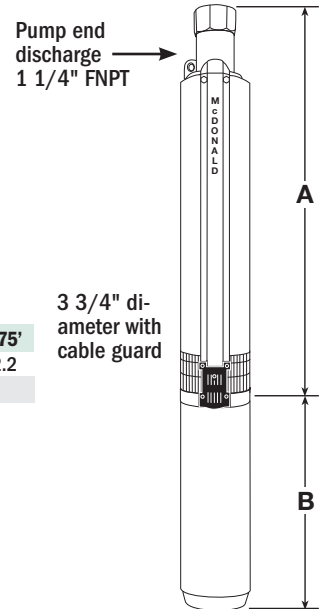
21000 Series 4" No-Lead Brass Submersible Pumps V Series - 7 GPM



All V Series No-Lead Pumps come with a 1 1/4" discharge and sizes range from 1/3 to 2 horse power (HP). Two wire models up to 1 1/2 horse power (HP) or three wire models up to 2 horse power (HP).

Output - in Gallons Per Minute (Depth to Water)

HP	PSI	25'	50'	75'	100'	125'	150'	175'	200'											
		0	12.5	11.7	11.0	9.5	8.5	7.3	6.2	2.0										
1/3	30	9.6	8.6	7.4	6.3	2.1														
	50	7.5	6.3	2.2																
1/2 <th rowspan="2">PSI</th> <th>25'</th> <th>50'</th> <th>75'</th> <th>100'</th> <th>125'</th> <th>150'</th> <th>175'</th> <th>200'</th> <th>225'</th> <th>250'</th> <th>275'</th> <th colspan="4"></th>	PSI	25'	50'	75'	100'	125'	150'	175'	200'	225'	250'	275'								
		0	12.7	12.2	11.5	11.0	10.0	9.3	8.5	7.5	6.0	5.2	3.2							
3/4	30	11.1	10.2	9.4	8.6	7.7	6.1	5.3	3.5	2.0										
	50	9.7	8.7	7.7	6.2	5.3	3.8	2.1												
1 <th rowspan="2">PSI</th> <th>25'</th> <th>50'</th> <th>75'</th> <th>100'</th> <th>125'</th> <th>150'</th> <th>175'</th> <th>200'</th> <th>225'</th> <th>250'</th> <th>275'</th> <th>300'</th> <th>325'</th> <th>350'</th> <th>375'</th> <th colspan="4"></th>	PSI	25'	50'	75'	100'	125'	150'	175'	200'	225'	250'	275'	300'	325'	350'	375'				
		0	12.8	12.3	12.0	11.5	11.0	10.5	10.0	9.3	8.5	7.7	7.0	6.0	5.1	4.2	2.5			
3/4	30	11.7	11.2	10.7	10.2	9.4	8.7	7.8	7.1	6.1	4.7	3.8	3.0	2.0						
	50	10.8	10.3	9.6	8.8	7.9	7.3	6.2	4.8	3.9	2.9	2.1								
1 <th rowspan="2">PSI</th> <th>25'</th> <th>50'</th> <th>75'</th> <th>100'</th> <th>125'</th> <th>150'</th> <th>175'</th> <th>200'</th> <th>225'</th> <th>250'</th> <th>275'</th> <th>300'</th> <th>325'</th> <th>350'</th> <th>375'</th> <th>400'</th> <th>425'</th> <th>450'</th> <th>475'</th>	PSI	25'	50'	75'	100'	125'	150'	175'	200'	225'	250'	275'	300'	325'	350'	375'	400'	425'	450'	475'
		0	13.0	12.7	12.3	12.0	11.5	11.3	11.0	10.5	9.8	9.5	9.0	8.5	7.7	7.0	6.5	5.5	4.5	4.0
1	30	12.2	11.7	11.5	11.2	10.7	10.0	9.7	9.2	8.7	7.8	7.2	6.7	5.7	4.6	4.1	3.3	1.9		
	50	11.7	11.3	10.8	10.1	9.8	9.3	8.8	7.9	7.3	6.8	5.7	4.8	4.3	3.4	2.0				
1 1/2 <th rowspan="2">PSI</th> <th>50'</th> <th>100'</th> <th>150'</th> <th>200'</th> <th>250'</th> <th>300'</th> <th>350'</th> <th>400'</th> <th>450'</th> <th>500'</th> <th>550'</th> <th>600'</th> <th>650'</th> <th colspan="6"></th>	PSI	50'	100'	150'	200'	250'	300'	350'	400'	450'	500'	550'	600'	650'						
		0	13.2	12.3	11.7	11.3	10.7	10.0	9.3	8.5	7.5	6.7	5.5	4.2	3.2					
1 1/2	30	12.2	11.5	11.2	10.5	9.8	9.2	8.3	7.3	6.5	5.3	3.9	3.0							
	50	11.5	11.2	10.5	9.8	9.2	8.3	7.3	6.5	5.3	4.0	1.1								
2 <th rowspan="2">PSI</th> <th>50'</th> <th>100'</th> <th>150'</th> <th>200'</th> <th>250'</th> <th>300'</th> <th>350'</th> <th>400'</th> <th>450'</th> <th>500'</th> <th>550'</th> <th>600'</th> <th>650'</th> <th>700'</th> <th>750'</th> <th>800'</th> <th>850'</th>	PSI	50'	100'	150'	200'	250'	300'	350'	400'	450'	500'	550'	600'	650'	700'	750'	800'	850'		
		0	13.3	12.7	12.2	11.8	11.3	10.7	10.2	9.5	8.8	8.2	7.3	6.5	5.8	5.0	4.0	3.0	1.7	
2	30	12.5	12.0	11.7	11.2	10.5	10.0	9.3	8.7	8.0	7.2	6.3	5.7	4.8	3.8	2.8				
	50	12.0	11.7	11.2	10.5	10.0	9.3	8.7	8.0	7.2	6.3	5.7	4.8	3.7	2.4					



FRICION LOSSES IN RISER PIPE HAVE NOT BEEN CALCULATED

NO-LEAD: The weighted average of the wetted surface of this no-lead product contacted by consumable water contains less than one quarter of one percent (0.25%) lead.



A.Y. McDonald Mfg. Co.
P.O. Box 508
Dubuque, IA 52004-0508

Toll Free: 1-800-292-2737
Fax: 1-800-832-9296
Hours: 7:00 a.m. - 5:00 p.m., CST

sales@aymcdonald.com
www.aymcdonald.com

A.Y. McDonald considers the information on this assembly drawing correct when published. Item and option availability, including specifications, are subject to change without notice.

Submitted by: