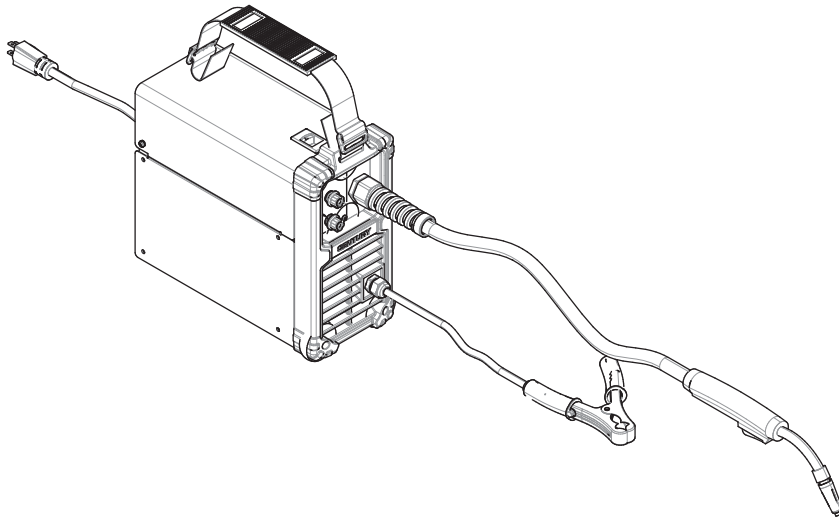




## Operator's Manual

# FC-90

For use with Product Numbers:  
**12721**



# THANK YOU FOR SELECTING A QUALITY PRODUCT BY LINCOLN ELECTRIC.

## PLEASE EXAMINE CARTON AND EQUIPMENT FOR DAMAGE IMMEDIATELY

When this equipment is shipped, title passes to the purchaser upon receipt by the carrier. Consequently, claims for material damaged in shipment must be made by the purchaser against the transportation company at the time the shipment is received.

## SAFETY DEPENDS ON YOU

Lincoln arc welding and cutting equipment is designed and built with safety in mind. However, your overall safety can be increased by proper installation ... and thoughtful operation on your part. **DO NOT INSTALL, OPERATE OR REPAIR THIS EQUIPMENT WITHOUT READING THIS MANUAL AND THE SAFETY PRECAUTIONS CONTAINED THROUGHOUT.** And, most importantly, think before you act and be careful.

### **WARNING**

This statement appears where the information must be followed exactly to avoid serious personal injury or loss of life.

### **CAUTION**

This statement appears where the information must be followed to avoid minor personal injury or damage to this equipment.



## KEEP YOUR HEAD OUT OF THE FUMES.

**DON'T** get too close to the arc. Use corrective lenses if necessary to stay a reasonable distance away from the arc.

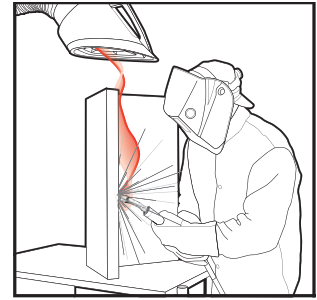
**READ** and obey the Safety Data Sheet (SDS) and the warning label that appears on all containers of welding materials.

**USE ENOUGH VENTILATION** or exhaust at the arc, or both, to keep the fumes and gases from your breathing zone and the general area.

**IN A LARGE ROOM OR OUTDOORS**, natural ventilation may be adequate if you keep your head out of the fumes (See below).

**USE NATURAL DRAFTS** or fans to keep the fumes away from your face.

If you develop unusual symptoms, see your supervisor. Perhaps the welding atmosphere and ventilation system should be checked.



## WEAR CORRECT EYE, EAR & BODY PROTECTION

**PROTECT** your eyes and face with welding helmet properly fitted and with proper grade of filter plate (See ANSI Z49.1).

**PROTECT** your body from welding spatter and arc flash with protective clothing including woolen clothing, flame-proof apron and gloves, leather leggings, and high boots.

**PROTECT** others from splatter, flash, and glare with protective screens or barriers.

**IN SOME AREAS**, protection from noise may be appropriate.

**BE SURE** protective equipment is in good condition.

Also, wear safety glasses in work area **AT ALL TIMES.**



## SPECIAL SITUATIONS

**DO NOT WELD OR CUT** containers or materials which previously had been in contact with hazardous substances unless they are properly cleaned. This is extremely dangerous.

**DO NOT WELD OR CUT** painted or plated parts unless special precautions with ventilation have been taken. They can release highly toxic fumes or gases.

## Additional precautionary measures

**PROTECT** compressed gas cylinders from excessive heat, mechanical shocks, and arcs; fasten cylinders so they cannot fall.

**BE SURE** cylinders are never grounded or part of an electrical circuit.

**REMOVE** all potential fire hazards from welding area.

**ALWAYS HAVE FIRE FIGHTING EQUIPMENT READY FOR IMMEDIATE USE AND KNOW HOW TO USE IT.**



## SECTION A: WARNINGS



### CALIFORNIA PROPOSITION 65 WARNINGS

#### Diesel Engines

Diesel engine exhaust and some of its constituents are known to the State of California to cause cancer, birth defects, and other reproductive harm.

#### Gasoline Engines

The engine exhaust from this product contains chemicals known to the State of California to cause cancer, birth defects, or other reproductive harm.

**ARC WELDING CAN BE HAZARDOUS. PROTECT YOURSELF AND OTHERS FROM POSSIBLE SERIOUS INJURY OR DEATH. KEEP CHILDREN AWAY. PACEMAKER WEARERS SHOULD CONSULT WITH THEIR DOCTOR BEFORE OPERATING.**

Read and understand the following safety highlights. For additional safety information, it is strongly recommended that you purchase a copy of "Safety in Welding & Cutting - ANSI Standard Z49.1" from the American Welding Society, P.O. Box 351040, Miami, Florida 33135 or CSA Standard W117.2-1974. A Free copy of "Arc Welding Safety" booklet E205 is available from the Lincoln Electric Company, 22801 St. Clair Avenue, Cleveland, Ohio 44117-1199.

**BE SURE THAT ALL INSTALLATION, OPERATION, MAINTENANCE AND REPAIR PROCEDURES ARE PERFORMED ONLY BY QUALIFIED INDIVIDUALS.**



### FOR ENGINE POWERED EQUIPMENT.

- 1.a. Turn the engine off before troubleshooting and maintenance work unless the maintenance work requires it to be running.



- 1.b. Operate engines in open, well-ventilated areas or vent the engine exhaust fumes outdoors.

- 1.c. Do not add the fuel near an open flame welding arc or when the engine is running. Stop the engine and allow it to cool before refueling to prevent spilled fuel from vaporizing on contact with hot engine parts and igniting. Do not spill fuel when filling tank. If fuel is spilled, wipe it up and do not start engine until fumes have been eliminated.



- 1.d. Keep all equipment safety guards, covers and devices in position and in good repair. Keep hands, hair, clothing and tools away from V-belts, gears, fans and all other moving parts when starting, operating or repairing equipment.



- 1.e. In some cases it may be necessary to remove safety guards to perform required maintenance. Remove guards only when necessary and replace them when the maintenance requiring their removal is complete. Always use the greatest care when working near moving parts.

- 1.f. Do not put your hands near the engine fan. Do not attempt to override the governor or idler by pushing on the throttle control rods while the engine is running.

- 1.g. To prevent accidentally starting gasoline engines while turning the engine or welding generator during maintenance work, disconnect the spark plug wires, distributor cap or magneto wire as appropriate.

- 1.h. To avoid scalding, do not remove the radiator pressure cap when the engine is hot.



### ELECTRIC AND MAGNETIC FIELDS MAY BE DANGEROUS



- 2.a. Electric current flowing through any conductor causes localized Electric and Magnetic Fields (EMF). Welding current creates EMF fields around welding cables and welding machines
- 2.b. EMF fields may interfere with some pacemakers, and welders having a pacemaker should consult their physician before welding.
- 2.c. Exposure to EMF fields in welding may have other health effects which are now not known.
- 2.d. All welders should use the following procedures in order to minimize exposure to EMF fields from the welding circuit:
- 2.d.1. Route the electrode and work cables together - Secure them with tape when possible.
- 2.d.2. Never coil the electrode lead around your body.
- 2.d.3. Do not place your body between the electrode and work cables. If the electrode cable is on your right side, the work cable should also be on your right side.
- 2.d.4. Connect the work cable to the workpiece as close as possible to the area being welded.
- 2.d.5. Do not work next to welding power source.



## ELECTRIC SHOCK CAN KILL.



- 3.a. The electrode and work (or ground) circuits are electrically “hot” when the welder is on. Do not touch these “hot” parts with your bare skin or wet clothing. Wear dry, hole-free gloves to insulate hands.
- 3.b. Insulate yourself from work and ground using dry insulation. Make certain the insulation is large enough to cover your full area of physical contact with work and ground.

**In addition to the normal safety precautions, if welding must be performed under electrically hazardous conditions (in damp locations or while wearing wet clothing; on metal structures such as floors, gratings or scaffolds; when in cramped positions such as sitting, kneeling or lying, if there is a high risk of unavoidable or accidental contact with the workpiece or ground) use the following equipment:**

- Semiautomatic DC Constant Voltage (Wire) Welder.
  - DC Manual (Stick) Welder.
  - AC Welder with Reduced Voltage Control.
- 3.c. In semiautomatic or automatic wire welding, the electrode, electrode reel, welding head, nozzle or semiautomatic welding gun are also electrically “hot”.
  - 3.d. Always be sure the work cable makes a good electrical connection with the metal being welded. The connection should be as close as possible to the area being welded.
  - 3.e. Ground the work or metal to be welded to a good electrical (earth) ground.
  - 3.f. Maintain the electrode holder, work clamp, welding cable and welding machine in good, safe operating condition. Replace damaged insulation.
  - 3.g. Never dip the electrode in water for cooling.
  - 3.h. Never simultaneously touch electrically “hot” parts of electrode holders connected to two welders because voltage between the two can be the total of the open circuit voltage of both welders.
  - 3.i. When working above floor level, use a safety belt to protect yourself from a fall should you get a shock.
  - 3.j. Also see Items 6.c. and 8.



## ARC RAYS CAN BURN.



- 4.a. Use a shield with the proper filter and cover plates to protect your eyes from sparks and the rays of the arc when welding or observing open arc welding. Headshield and filter lens should conform to ANSI Z87.1 standards.
- 4.b. Use suitable clothing made from durable flame-resistant material to protect your skin and that of your helpers from the arc rays.
- 4.c. Protect other nearby personnel with suitable, non-flammable screening and/or warn them not to watch the arc nor expose themselves to the arc rays or to hot spatter or metal.



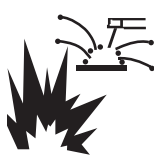
## FUMES AND GASES CAN BE DANGEROUS.



- 5.a. Welding may produce fumes and gases hazardous to health. Avoid breathing these fumes and gases. When welding, keep your head out of the fume. Use enough ventilation and/or exhaust at the arc to keep fumes and gases away from the breathing zone. **When welding hardfacing (see instructions on container or SDS) or on lead or cadmium plated steel and other metals or coatings which produce highly toxic fumes, keep exposure as low as possible and within applicable OSHA PEL and ACGIH TLV limits using local exhaust or mechanical ventilation unless exposure assessments indicate otherwise. In confined spaces or in some circumstances, outdoors, a respirator may also be required. Additional precautions are also required when welding on galvanized steel.**
- 5.b. The operation of welding fume control equipment is affected by various factors including proper use and positioning of the equipment, maintenance of the equipment and the specific welding procedure and application involved. Worker exposure level should be checked upon installation and periodically thereafter to be certain it is within applicable OSHA PEL and ACGIH TLV limits.
- 5.c. Do not weld in locations near chlorinated hydrocarbon vapors coming from degreasing, cleaning or spraying operations. The heat and rays of the arc can react with solvent vapors to form phosgene, a highly toxic gas, and other irritating products.
- 5.d. Shielding gases used for arc welding can displace air and cause injury or death. Always use enough ventilation, especially in confined areas, to insure breathing air is safe.
- 5.e. Read and understand the manufacturer’s instructions for this equipment and the consumables to be used, including the Safety Data Sheet (SDS) and follow your employer’s safety practices. SDS forms are available from your welding distributor or from the manufacturer.
- 5.f. Also see item 1.b.




## WELDING AND CUTTING SPARKS CAN CAUSE FIRE OR EXPLOSION.



- 6.a. Remove fire hazards from the welding area. If this is not possible, cover them to prevent the welding sparks from starting a fire. Remember that welding sparks and hot materials from welding can easily go through small cracks and openings to adjacent areas. Avoid welding near hydraulic lines. Have a fire extinguisher readily available.
- 6.b. Where compressed gases are to be used at the job site, special precautions should be used to prevent hazardous situations. Refer to "Safety in Welding and Cutting" (ANSI Standard Z49.1) and the operating information for the equipment being used.
- 6.c. When not welding, make certain no part of the electrode circuit is touching the work or ground. Accidental contact can cause overheating and create a fire hazard.
- 6.d. Do not heat, cut or weld tanks, drums or containers until the proper steps have been taken to insure that such procedures will not cause flammable or toxic vapors from substances inside. They can cause an explosion even though they have been "cleaned". For information, purchase "Recommended Safe Practices for the Preparation for Welding and Cutting of Containers and Piping That Have Held Hazardous Substances", AWS F4.1 from the American Welding Society (see address above).
- 6.e. Vent hollow castings or containers before heating, cutting or welding. They may explode.
- 6.f. Sparks and spatter are thrown from the welding arc. Wear oil free protective garments such as leather gloves, heavy shirt, cuffless trousers, high shoes and a cap over your hair. Wear ear plugs when welding out of position or in confined places. Always wear safety glasses with side shields when in a welding area.
- 6.g. Connect the work cable to the work as close to the welding area as practical. Work cables connected to the building framework or other locations away from the welding area increase the possibility of the welding current passing through lifting chains, crane cables or other alternate circuits. This can create fire hazards or overheat lifting chains or cables until they fail.
- 6.h. Also see item 1.c.
- 6.i. Read and follow NFPA 51B "Standard for Fire Prevention During Welding, Cutting and Other Hot Work", available from NFPA, 1 Batterymarch Park, PO box 9101, Quincy, MA 02269-9101.
- 6.j. Do not use a welding power source for pipe thawing.



## CYLINDER MAY EXPLODE IF DAMAGED.

- 7.a. Use only compressed gas cylinders containing the correct shielding gas for the process used and properly operating regulators designed for the gas and pressure used. All hoses, fittings, etc. should be suitable for the application and maintained in good condition. 
- 7.b. Always keep cylinders in an upright position securely chained to an undercarriage or fixed support.
- 7.c. Cylinders should be located:
  - Away from areas where they may be struck or subjected to physical damage.
  - A safe distance from arc welding or cutting operations and any other source of heat, sparks, or flame.
- 7.d. Never allow the electrode, electrode holder or any other electrically "hot" parts to touch a cylinder.
- 7.e. Keep your head and face away from the cylinder valve outlet when opening the cylinder valve.
- 7.f. Valve protection caps should always be in place and hand tight except when the cylinder is in use or connected for use.
- 7.g. Read and follow the instructions on compressed gas cylinders, associated equipment, and CGA publication P-1, "Precautions for Safe Handling of Compressed Gases in Cylinders," available from the Compressed Gas Association, 14501 George Carter Way Chantilly, VA 20151.



## FOR ELECTRICALLY POWERED EQUIPMENT.



- 8.a. Turn off input power using the disconnect switch at the fuse box before working on the equipment.
- 8.b. Install equipment in accordance with the U.S. National Electrical Code, all local codes and the manufacturer's recommendations.
- 8.c. Ground the equipment in accordance with the U.S. National Electrical Code and the manufacturer's recommendations.

**Refer to**  
**<http://www.lincolnelectric.com/safety>**  
**for additional safety information.**

## TABLE OF CONTENTS

<b>Installation .....</b>	<b>3</b>
Technical Specifications.....	3
Premium Features.....	3
Select Suitable Location.....	4
Grinding .....	4
Stacking .....	4
Transport – Unloading .....	4
Tilting .....	4
Environmental Rating .....	4
Input Connections .....	5
Wire Loading And Threading.....	6
 <b>Operation .....</b>	 <b>8</b>
Operating Machine .....	8
Replacement Parts Lists.....	9
 <b>Maintenance.....</b>	 <b>10</b>
Routine And Periodic Maintenance .....	10
 <b>Troubleshooting.....</b>	 <b>10</b>
How To Use Troubleshooting Guide.....	10

# INSTALLATION

---

## TECHNICAL SPECIFICATIONS - K3493-1 - FC-90

OUTPUT CURRENT RANGE
30-90 A
OPEN CIRCUIT VOLTAGE
19V (RMS)
OUTPUT AMPS
80A
INPUT CIRCUIT
120VAC
DUTY CYCLE
30%@80A

WIREFEED SPEED
0 - 120 IPM
SUITABLE WIRE DIAMETER
0.030", 0.035"
GROSS WEIGHT
15 LBS (7KGS)
IPS RATING
IP21S

---

### PREMIUM FEATURES INCLUDE:

1. Inverter power source – more efficient to operate, provides smoother weld characteristics than traditional welders
2. Infinite welding voltage to allow fine tuning of weld characteristics
3. 30% Duty cycle at 80 Amps
4. Lightweight and portable – Ideal for maintenance and mobile welders

---

### THERMAL PROTECTION

The machine has a maximum output duty cycle of 30%. If the duty cycle is exceeded, a thermal protector will shut off the output until the machine cools to a normal operating temperature. This is an automatic function of the machine and does not require user intervention.

---

### REQUIRED ACCESSORIES

- Helmet
- Jacket
- Gloves

Read this entire installation section before you start installation.

**Safety Precautions**

Do not attempt to use this equipment until you have thoroughly read all installation, operating and maintenance information supplied with your equipment. They include important safety precautions and detailed operating and maintenance instructions.

**⚠ WARNING**

**ELECTRIC SHOCK can kill.**

- Only qualified personnel should perform this installation.
- Do not touch electrically live parts.
- Always connect the machine to an earthed mains supply.



**SELECT SUITABLE LOCATION**

Place the welder where clean cooling air can freely circulate in and out of the front & rear louver vents. Dirt, dust or any foreign material that can be drawn through vents into welder must be kept to a minimum. Failure to observe these precautions can result in excessive operating temperatures which can lead to plant failure.

**GRINDING**

Do not direct grinding particles towards the welder. An abundance of conductive material can cause plant failure.

**STACKING**

This machine cannot be stacked.

**TRANSPORT – UNLOADING**

Never underestimate the weight of equipment, never move or leave suspended in the air above people.

**⚠ WARNING**

**Falling Equipment can cause injury. Never lift welder with gas bottle attached. Never lift above personnel.**



**TILTING**

Machine must be placed on a secure level surface

**ENVIRONMENTAL RATING**

The welding power source carries the IP21S rating. It may be used in normal industrial and commercial environments. Avoid using in areas where water / rain is around.

Read and follow the 'Electric Shock Warnings' in the safety section if welding must be performed under electrically hazardous conditions such as welding in wet areas or water on the work piece.

**⚠ WARNING**

**ELECTRIC SHOCK can kill.**

- This welder must be grounded to earth



**⚠ CAUTION**

**The high frequency generator being similar to a radio transmitter may cause interference to radio, TV and other electronic equipment.**



- These problems may be the result of radiated interference. Proper grounding methods can reduce or eliminate this.

Radiated interference can develop in the following ways

1. Direct interference from welder power source
2. Direct interference from the welding leads
3. Direct interference radiated from feedback into power lines
4. Interference from re-radiation by un-grounded metallic objects

Keeping these contributing factors in mind, installing equipment as per following instructions should minimize problems

1. Keep the welder input power lines as short as possible and enclose as much of them as possible in metal conduit or equivalent shielding. There should be a good electrical contact between this conduit and ground (Earth)
2. Keep the work and electrode leads as short as possible. Tape the leads together where practical
3. Be sure the torch and earth leads rubber coverings are free from cuts and cracks that allow welding power leakage
4. Keep earth lead connection to work in good condition – Clean area on workbench where earth clamp is situated on a regular basis.



**INPUT POWER CONNECTION**

The machine has one input connection, the power input cable. The power input cable is located on the rear.

The FC-90 is provided with a 120V cable, 6.0ft.(1.8m) in length, with a 15Amp 5-15P plug molded onto the cord.

The rated output of the FC-90 is available when connected to a 20A branch circuit. When connected to a branch circuit with lower capacity, lower welding current and duty cycle must be used.

**CODE REQUIREMENTS FOR ELECTRICAL INPUT CONNECTIONS**

**⚠ WARNING**

**This welding machine must be connected to a power source in accordance with applicable electrical codes.**

The National Electrical Code provides standards for amperage handling capability of supply conductors based on duty cycle of the welding source.

If there is any question about the installation meeting applicable electrical code requirements, consult a qualified electrician.

**⚠ WARNING**

**Do not connect the machine to an input power supply with a rated voltage that is greater than 125 volts.**

**Do not remove the power cord ground prong.**

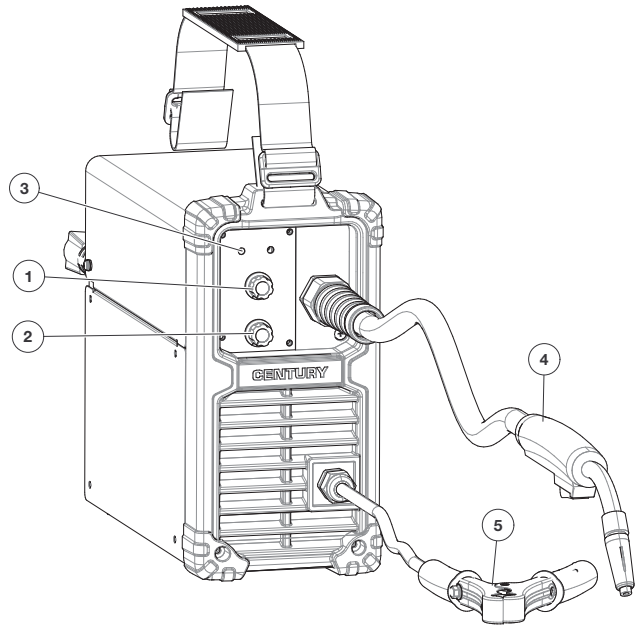
**EXTENSION CORD USAGE**

If an extension cord is required, use one that is rated for the application and is 3 conductor #14 AWG (2.1 mm<sup>2</sup>) or larger. The recommended maximum lengths are 25 ft (7.5 m) if #14 AWG (2.1 mm<sup>2</sup>) is used and 50 ft (15 m) if #12 AWG (3.3 mm<sup>2</sup>) is used.

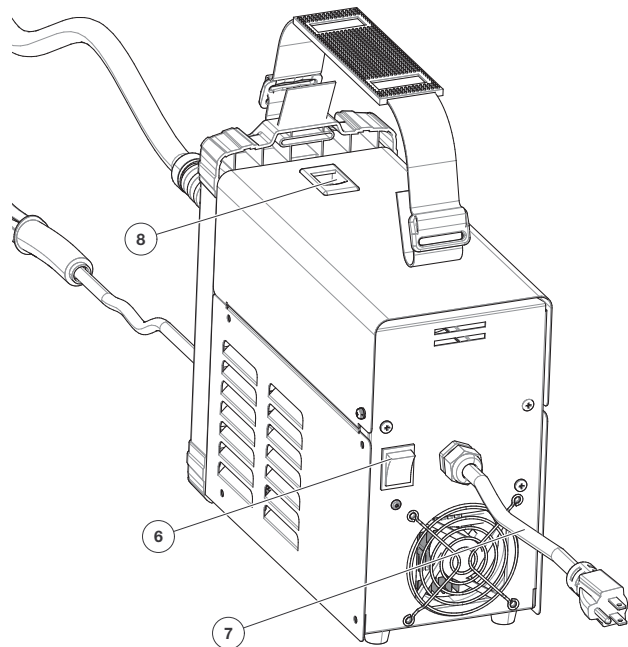
**FLUX-CORED (INNERSHIELD) WELDING**

The recommended electrode for the flux-cored, self-shielded process is 0.035" (0.9 mm) diameter Lincoln Innershield NR-211-MP on 1 lbs. (.5 kg) spools.

**FIGURE 1**



- 1. Adjustment for Voltage
- 2. Adjustment for Wire feed speed
- 3. Power and protection LEDs
- 4. Gasless Flux-Cored torch
- 5. Work Clamp



- 6. Power Switch
- 7. Power Input Cable
- 8. Spool cover latch

## WIRE LOADING AND THREADING

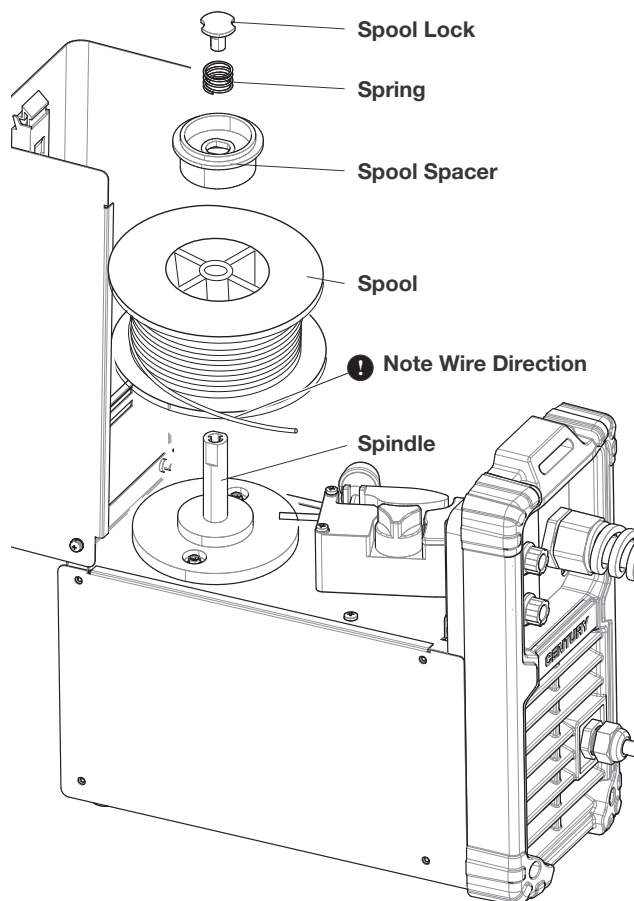
Refer to Figure 2.

Turn machine power switch to the OFF ("0") position before working inside the wire feed enclosure.

Make sure that the wire feed drive roll and the contact tip of the gun match the diameter and type of wire used.

1. Push the spool onto the spindle so that the wire feeds off the bottom of the spool, toward the drive roll.
2. Push the spool spacer onto the spindle, against the spool.
3. Slide the spring onto the spool, then press on the spool lock, turning it clockwise to lock the spool assembly onto the spindle.

**FIGURE 2**

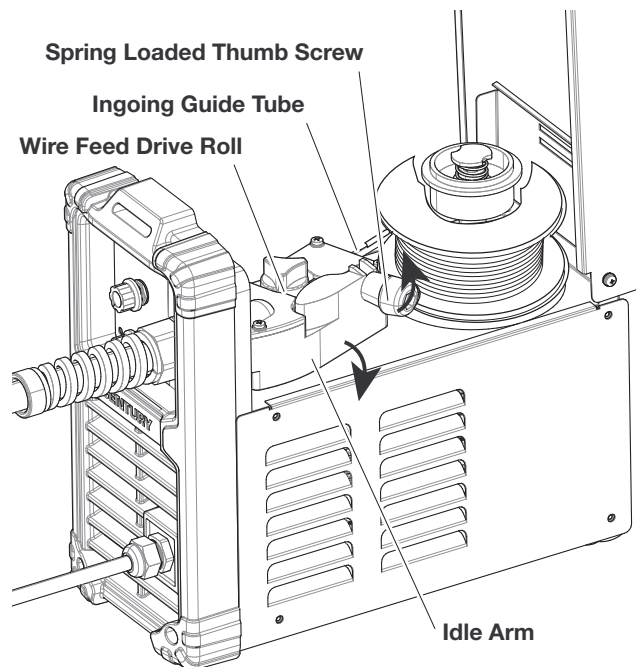


## WIRE THREADING DETAILS

Refer to Figure 3.

4. Release the spring loaded thumb screw and rotate the idle roll arm away from the wire feed drive roll. Ensure that the visible, stenciled size on the drive roll side facing you matches the wire size being used.
5. Carefully detach the end of the wire from the spool. Maintain tension on the wire to prevent the spool from unwinding and do not release the wire until after step 5.
6. Cut the bent portion of wire off and straighten the first 4" (100 mm).
7. Thread the wire through the incoming guide tube, over the drive roll, and into the gun liner.
8. Close the idle roll arm and turn down the thumbscrew until the idle roller presses down firmly on the wire. (Now you may release the welding wire). Make sure the wire is positioned in the groove of the lower drive roll.
9. The spring loaded thumbscrew on the idle roll arm adjusts the pressure on the wire. Adjust pressure by turning the thumbscrew to prevent spool overrun, but still allow smooth and easy wire feeding. Start with the pressure set to an intermediate value. Readjust, if necessary. If the drive roll slips while feeding wire, the pressure should be increased until the wire feeds properly.

**FIGURE 3**

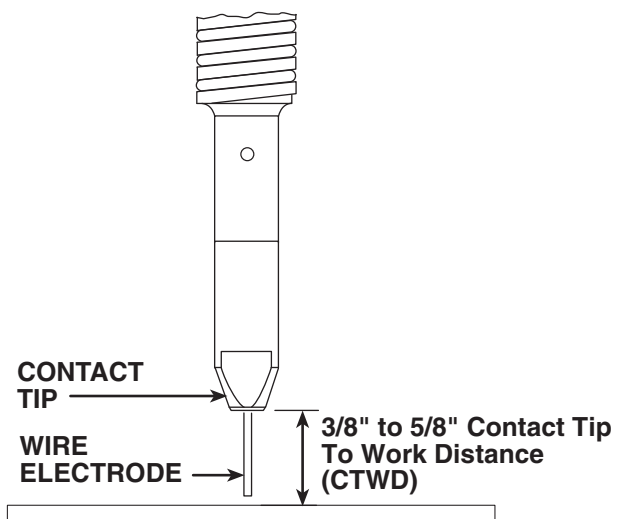


## WARNING

When feeding the welding wire through the gun, the drive roll, the gun connector block and the gun contact tip are always energized relative to work and ground.

**WIRE STICKOUT**

10. Remove the contact tip and nozzle from the gun.
11. Turn the machine ON ("I").
12. Straighten the gun cable assembly.
13. Depress the gun trigger switch and feed welding wire through the gun and cable. (Point the gun away from yourself and others while feeding wire). Release the gun trigger after wire appears at the end of the gun.
14. Turn off the machine.
15. Replace the nozzle and contact tip. Refer to Figure B-4. Cut the wire off so that 3/8" to 5/8" (10 - 15 mm) protrudes from the end of the tip.
16. Turn on the machine. The machine is now ready to weld.

**FIGURE 4**

# OPERATION

Read and understand this entire section before operating your CrossLinc Remote.

## Safety Precautions

Do not attempt to use this equipment until you have thoroughly read all operating and maintenance manuals supplied with your equipment and any related welding machine it will be used with. They include important safety precautions, operating and maintenance instructions and parts lists.

### WARNING

#### ELECTRIC SHOCK can kill.

- Do not touch electrically live parts such as output terminals or internal wiring.
- Insulate yourself from the work and ground.
- Always wear dry insulating gloves.



#### WELDING SPARKS can cause fire or explosion.

- Keep flammable material away.
- Do not weld upon containers which have held combustibles.



#### ARC RAYS can burn.

- Wear eye, ear and body protection.



#### FUMES AND GASES can be dangerous.

Although the removal of the particulate matter from welding smoke may reduce the ventilation requirement, concentrations of the clear exhausted fumes and gases may still be hazardous to health. Avoid breathing concentrations of these fumes and gases. Use adequate ventilation when welding. See ANSI Z49.1, "Safety in Welding and Cutting", published by the American Welding Society.

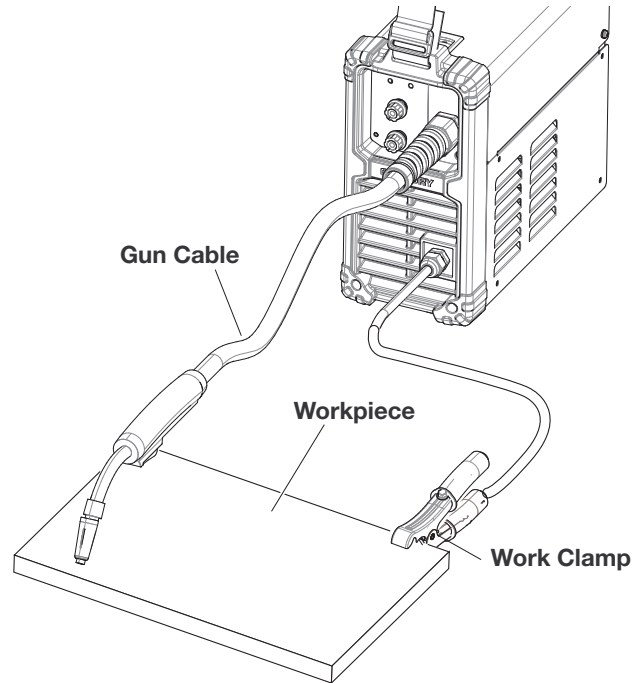


## OPERATING MACHINE

Once you have set machine up as per instructions, refer to Table B.1 and the Procedure Decal located on the inside of the wire drive compartment door of your machine for setup information, consumables, and quick tips for welding.


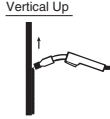

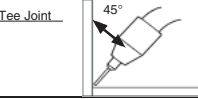
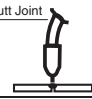
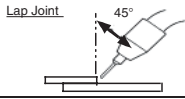
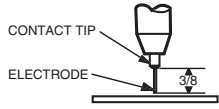
1. Select welding voltage (power), based on the material thickness of the work piece, required on front panel
2. Select wire feed speed required on 'wire speed' knob
3. Ensure you are wearing the correct safety clothes & equipment for welding (I.E Welding mask, gloves, apron etc)

FIGURE 5



4. Connect the work clamp to the metal to be welded. The work clamp must make good electrical contact to the work piece. The work piece must also be grounded as stated in Arc Welding Safety Precautions in the beginning of this manual.
5. Based on the weld joint type and orientation of the weld joint, position the gun into the joint at the correct angle.
6. To begin welding, raise your hand shield or lower your helmet to protect your eyes and pull the trigger.
7. While welding, travel at a constant speed and maintain an electrode stickout of 3/8".
8. To stop welding, release the gun trigger.
9. When no more welding is to be done, turn off the machine.

TABLE B.1

FCAW -Gasless (Flux Cored)			
Welding Wire	.035 Lincoln NR-211-MP (Innershield Cored Wire)		
Contact Tip	.035 (0.9mm) - Lincoln Part No. KH712		
Drive Roll	0.9mm Knurled groove - Lincoln Part No. KP4364-035		
Loading The Wire	Remember: Remove the contact tip prior to loading wire Keep tension on the wire to prevent unspooling.		
	1. Cutoff the bent portion of the wire and straighten the first 4" for feeding into rolls and gun. 2. Release spring loaded pressure arm and rotate the Idle Roll Arm away from Drive Roll. 3. Thread wire through the guide tube, over drive roll and into gun liner. Close Idle Roll arm.		
Wire Feed Tension	The suggested Wire Feed Speed settings in the table below are based on a midrange wire tension setting. The tension may be changed if required to improved wire feeding; however, the WFS setting may have to be adjusted from the values in the table below.		
Suggested Settings For Welding	Steel Thickness	Wire Feed Speed	Heat Range
	18 Ga Steel	6	5
	16 Ga Steel	6.5	6
	14 Ga Steel	7.5	7
	12 Ga Steel	8	8
1/8" Steel	8.5	8.5	
Helpful Hints	Weld at a Steady Pace		
	Do NOT weave the arc, neither forward, backward, or sideways		
	Remove Slag with the Chipping Hammer to expose weld		
	For Horizontal Weld Joints, remember: "Drag if there's Slag" Refer to Manual for Troubleshooting Poor Weld Quality		
Direction of Welding AND Angle of Gun relative to Weld Direction	Horizontal: "Drag" 		
	Vertical Up  Vertical Down 		
Proper Gun Angles for common Weld Joint Types	Tee Joint  45°		
	Butt Joint  Lap Joint  45°		
Electrical Stickout	Maintain an electrode Stickout of 3/8" while welding. 		

REPLACE PARTS LIST

Contact Tip (.035")	KH712 (.035" / 0.9MM)
Drive Roll	KP4364-035
Nozzle	KH726
FCAW Wire	LINCOLN .035 NR-211-MP

 **WARNING**

Use of this unit on thicker materials than recommended may result in welds of poor quality. The welds may appear to be fine, but may lack the fusion or bonding necessary to give a strong weld. This is called "Cold Casting" or "cold lapping" and is some what similar to a cold solder joint. Weld failure may result.

# MAINTENANCE

## WARNING

### ELECTRIC SHOCK can kill.

- Turn the input power OFF at the welding power source before installation or changing drive rolls and/or guides.
- Do not touch electrically live parts.
- When inching with the gun trigger, electrode and drive mechanism are "hot" to work and ground and could remain energized several seconds after the gun trigger is released.
- Do not operate with covers, panels or guards removed or open.
- Only qualified personnel should perform maintenance work.



### ITEMS REQUIRING NO MAINTENANCE

- Drive Motor and Gearbox – Lifetime lubrication
- Wire Reel Spindle – Do NOT lubricate shaft

### ROUTINE AND PERIODIC MAINTENANCE

- **BEFORE EACH USE** - Check over machine and accessories for any obvious condition that may prevent safe performance or operation. Repair or replace items as necessary to correct any abnormal condition.

### AFTER 5 MINUTES OF WELDING OR WHEN SPATTER ACCUMULATES ON THE CONTACT TIP:

- **CLEANING TIP AND NOZZLE** - With the power switch in the off position, keep the contact tip and nozzle clean to avoid arc bridging between them. Bridging can result in a shorted nozzle, poor welds and an overheated gun. Hint: Anti-stick spray or gel, available from a welding supplier, may reduce buildup and aid in spatter removal.

# TROUBLESHOOTING

## HOW TO USE TROUBLESHOOTING GUIDE

## WARNING

Service and Repair should only be performed by Lincoln Electric Factory Trained Personnel. Unauthorized repairs performed on this equipment may result in danger to the technician and machine operator and will invalidate your factory warranty. For your safety and to avoid Electrical Shock, please observe all safety notes and precautions detailed throughout this manual.

This Troubleshooting Guide is provided to help you locate and repair possible machine malfunctions. Simply follow the three-step procedure listed below.

### Step 1. LOCATE PROBLEM (SYMPTOM).

Look under the column labeled "PROBLEM (SYMPTOMS)." This column describes possible symptoms that the machine may exhibit. Find the listing that best describes the symptom that the machine is exhibiting.

### Step 2. POSSIBLE CAUSE.

The second column labeled "POSSIBLE CAUSE" lists the obvious external possibilities that may contribute to the machine symptom.

### Step 3. RECOMMENDED COURSE OF ACTION

This column provides a course of action for the Possible Cause, generally it states to contact your local Lincoln Authorized Field Service Facility.

If you do not understand or are unable to perform the Recommended Course of Action safely, contact your local Lincoln Authorized Field Service Facility.

## WARNING

### ELECTRIC SHOCK can kill.

- Turn off machine at the disconnect switch on the rear of the machine and remove main power supply connections before doing any troubleshooting.



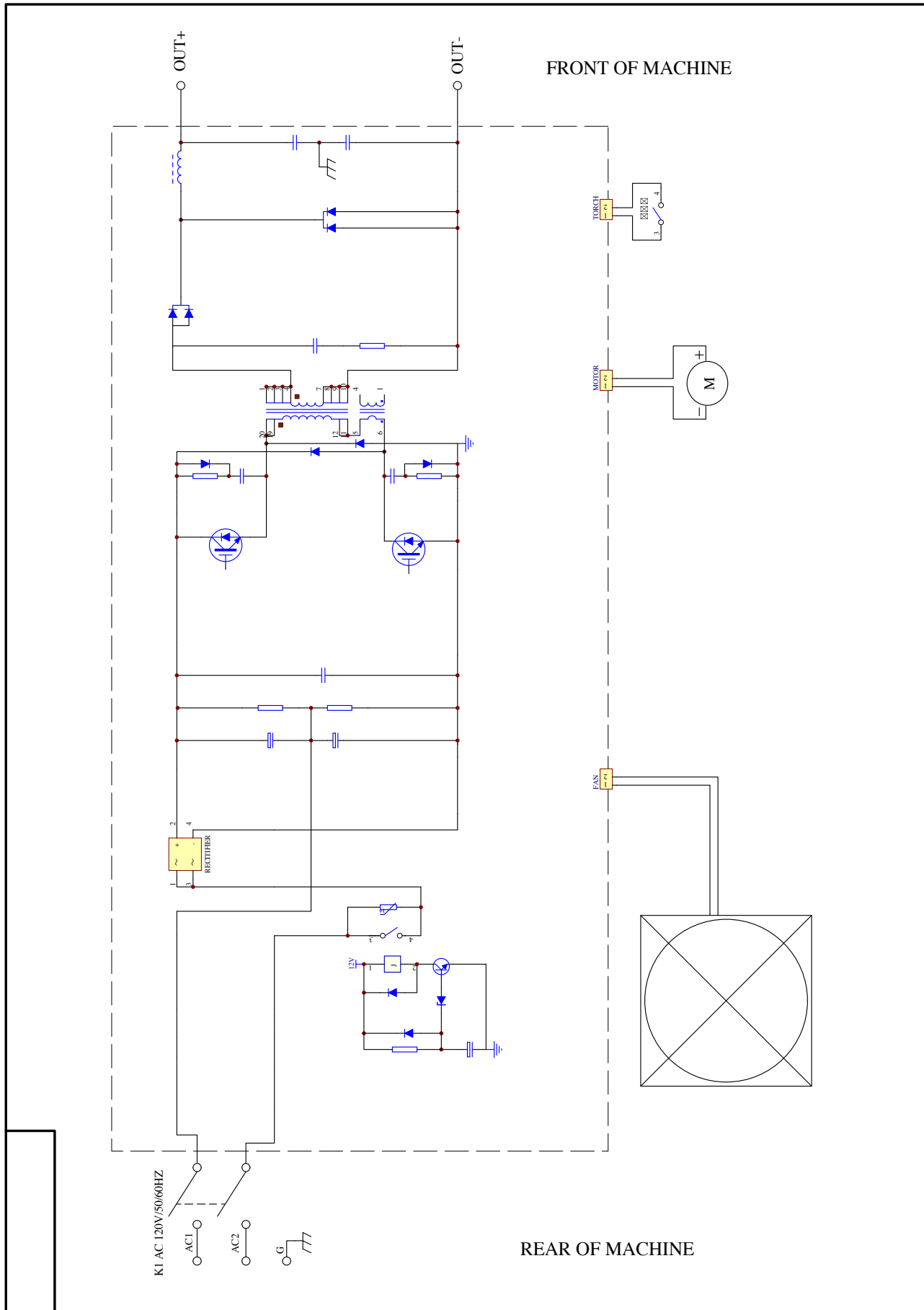
Observe all Safety Guidelines detailed throughout this manual

PROBLEM (SYMPTOMS)	POSSIBLE AREAS OF MISADJUSTMENT(S)	RECOMMENDED COURSE OF ACTION
Bead is too thick (intermittently).	Travel speed is slow and/or inconsistent.	Increase and maintain a constant travel speed.
	Output heat range is too high.	Turn the voltage down.
Bead does not penetrate base metal.	Travel speed is inconsistent.	Decrease and maintain a constant travel speed.
	Output heat range is too low.	Turn the voltage up.
Wire sputters and sticks to workpiece.	The wire is damp.	Change to dry wire. Be sure wire is stored in a dry location
	Wire feed speed (WFS) is too fast.	Reduce WFS.
Edge of weld has ragged depressions.	Travel speed is too fast.	Reduce travel speed.
	WFS is too fast.	Reduce WFS.
	Output heat range is too high.	Set the Low – High Heat Range switch to Low or the Fine Heat Adjustment to (1).



If for any reason you do not understand the test procedures or are unable to perform the tests/repairs safely, contact your Lincoln Authorized Service Facility for technical troubleshooting assistance before you proceed.

[WWW.LINCOLNELECTRIC.COM/LOCATOR](http://WWW.LINCOLNELECTRIC.COM/LOCATOR)

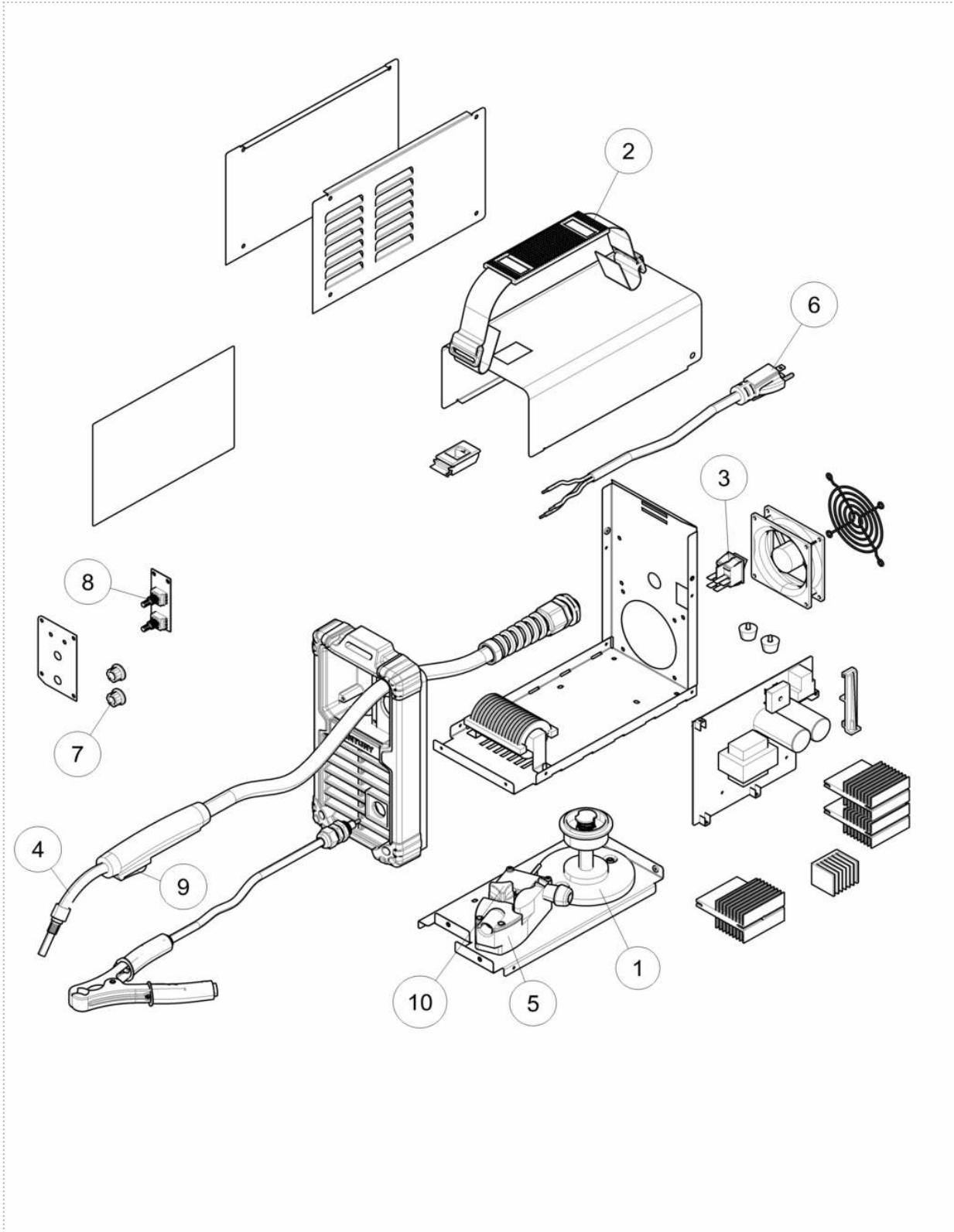




## General Assembly

KEY	PART NUMBER	DESCRIPTION	QTY
1	9SS31898-1	SPOOL SPINDLE ASSEMBLY	1
2	9SS31898-2	STRAP	1
3	9SS31898-3	POWER SWITCH	1
4	9SS31898-4	GUN & CABLE ASSEMBLY	1
5	9SS31898-5	WIRE DRIVE ASSEMBLY	1
6	9SS31898-6	INPUT CORD	1
7	9SS31898-7	KNOB	2
8	9SS31898-8	ENCODER PCB	1
9	9SS31898-9	GUN HANDLE & TRIGGER	1
10	KP4364-035	.030/.035 DRIVE ROLL	1

# General Assembly



P-1141-C.jpg

			
<b>WARNING</b>	<ul style="list-style-type: none"> <li>Do not touch electrically live parts or electrode with skin or wet clothing.</li> <li>Insulate yourself from work and ground.</li> </ul>	<ul style="list-style-type: none"> <li>Keep flammable materials away.</li> </ul>	<ul style="list-style-type: none"> <li>Wear eye, ear and body protection.</li> </ul>
Spanish <b>AVISO DE PRECAUCION</b>	<ul style="list-style-type: none"> <li>No toque las partes o los electrodos bajo carga con la piel o ropa mojada.</li> <li>Aíslese del trabajo y de la tierra.</li> </ul>	<ul style="list-style-type: none"> <li>Mantenga el material combustible fuera del área de trabajo.</li> </ul>	<ul style="list-style-type: none"> <li>Protéjase los ojos, los oídos y el cuerpo.</li> </ul>
French <b>ATTENTION</b>	<ul style="list-style-type: none"> <li>Ne laissez ni la peau ni des vêtements mouillés entrer en contact avec des pièces sous tension.</li> <li>Isolez-vous du travail et de la terre.</li> </ul>	<ul style="list-style-type: none"> <li>Gardez à l'écart de tout matériel inflammable.</li> </ul>	<ul style="list-style-type: none"> <li>Protégez vos yeux, vos oreilles et votre corps.</li> </ul>
German <b>WARNUNG</b>	<ul style="list-style-type: none"> <li>Berühren Sie keine stromführenden Teile oder Elektroden mit Ihrem Körper oder feuchter Kleidung!</li> <li>Isolieren Sie sich von den Elektroden und dem Erdboden!</li> </ul>	<ul style="list-style-type: none"> <li>Entfernen Sie brennbares Material!</li> </ul>	<ul style="list-style-type: none"> <li>Tragen Sie Augen-, Ohren- und Körperschutz!</li> </ul>
Portuguese <b>ATENÇÃO</b>	<ul style="list-style-type: none"> <li>Não toque partes elétricas e electrodos com a pele ou roupa molhada.</li> <li>Isole-se da peça e terra.</li> </ul>	<ul style="list-style-type: none"> <li>Mantenha inflamáveis bem guardados.</li> </ul>	<ul style="list-style-type: none"> <li>Use proteção para a vista, ouvido e corpo.</li> </ul>
Japanese <b>注意事項</b>	<ul style="list-style-type: none"> <li>通電中の電気部品、又は溶材にヒフやぬれた布で触れないこと。</li> <li>施工物やアースから身体が絶縁されている様にして下さい。</li> </ul>	<ul style="list-style-type: none"> <li>燃えやすいものの側での溶接作業は絶対にしてはなりません。</li> </ul>	<ul style="list-style-type: none"> <li>目、耳及び身体に保護具をして下さい。</li> </ul>
Chinese <b>警告</b>	<ul style="list-style-type: none"> <li>皮肤或湿衣物切勿接触带电部件及焊条。</li> <li>使你自已与地面和工件绝缘。</li> </ul>	<ul style="list-style-type: none"> <li>把一切易燃物品移离工作场所。</li> </ul>	<ul style="list-style-type: none"> <li>佩戴眼、耳及身体劳动保护用具。</li> </ul>
Korean <b>위험</b>	<ul style="list-style-type: none"> <li>전도체나 용접봉을 젖은 형갑 또는 피부로 절대 접촉치 마십시오.</li> <li>모재와 접지를 접촉치 마십시오.</li> </ul>	<ul style="list-style-type: none"> <li>인화성 물질을 접근시키지 마십시오.</li> </ul>	<ul style="list-style-type: none"> <li>눈, 귀와 몸에 보호장구를 착용하십시오.</li> </ul>
Arabic <b>تحذير</b>	<ul style="list-style-type: none"> <li>لا تلمس الاجزاء التي يسري فيها التيار الكهربائي أو الألكترود بجسدك أو بالملابس المبللة بالماء.</li> <li>ضع عازلا على جسمك خلال العمل.</li> </ul>	<ul style="list-style-type: none"> <li>ضع المواد القابلة للاشتعال في مكان بعيد.</li> </ul>	<ul style="list-style-type: none"> <li>ضع أدوات وملابس واقية على عينيك وأذنيك وجسمك.</li> </ul>

**READ AND UNDERSTAND THE MANUFACTURER'S INSTRUCTION FOR THIS EQUIPMENT AND THE CONSUMABLES TO BE USED AND FOLLOW YOUR EMPLOYER'S SAFETY PRACTICES.**

**SE RECOMIENDA LEER Y ENTENDER LAS INSTRUCCIONES DEL FABRICANTE PARA EL USO DE ESTE EQUIPO Y LOS CONSUMIBLES QUE VA A UTILIZAR, SIGA LAS MEDIDAS DE SEGURIDAD DE SU SUPERVISOR.**

**LISEZ ET COMPRENEZ LES INSTRUCTIONS DU FABRICANT EN CE QUI REGARDE CET EQUIPMENT ET LES PRODUITS A ETRE EMPLOYES ET SUIVEZ LES PROCEDURES DE SECURITE DE VOTRE EMPLOYEUR.**

**LESEN SIE UND BEFOLGEN SIE DIE BETRIEBSANLEITUNG DER ANLAGE UND DEN ELEKTRODENEINSATZ DES HERSTELLERS. DIE UNFALLVERHÜTUNGSVORSCHRIFTEN DES ARBEITGEBERS SIND EBENFALLS ZU BEACHTEN.**

			
<ul style="list-style-type: none"> <li>● Keep your head out of fumes.</li> <li>● Use ventilation or exhaust to remove fumes from breathing zone.</li> </ul>	<ul style="list-style-type: none"> <li>● Turn power off before servicing.</li> </ul>	<ul style="list-style-type: none"> <li>● Do not operate with panel open or guards off.</li> </ul>	<b>WARNING</b>
<ul style="list-style-type: none"> <li>● Los humos fuera de la zona de respiración.</li> <li>● Mantenga la cabeza fuera de los humos. Utilice ventilación o aspiración para gases.</li> </ul>	<ul style="list-style-type: none"> <li>● Desconectar el cable de alimentación de poder de la máquina antes de iniciar cualquier servicio.</li> </ul>	<ul style="list-style-type: none"> <li>● No operar con panel abierto o guardas quitadas.</li> </ul>	Spanish <b>AVISO DE PRECAUCION</b>
<ul style="list-style-type: none"> <li>● Gardez la tête à l'écart des fumées.</li> <li>● Utilisez un ventilateur ou un aspirateur pour ôter les fumées des zones de travail.</li> </ul>	<ul style="list-style-type: none"> <li>● Débranchez le courant avant l'entretien.</li> </ul>	<ul style="list-style-type: none"> <li>● N'opérez pas avec les panneaux ouverts ou avec les dispositifs de protection enlevés.</li> </ul>	French <b>ATTENTION</b>
<ul style="list-style-type: none"> <li>● Vermeiden Sie das Einatmen von Schweißrauch!</li> <li>● Sorgen Sie für gute Be- und Entlüftung des Arbeitsplatzes!</li> </ul>	<ul style="list-style-type: none"> <li>● Strom vor Wartungsarbeiten abschalten! (Netzstrom völlig öffnen; Maschine anhalten!)</li> </ul>	<ul style="list-style-type: none"> <li>● Anlage nie ohne Schutzgehäuse oder Innenschutzverkleidung in Betrieb setzen!</li> </ul>	German <b>WARNUNG</b>
<ul style="list-style-type: none"> <li>● Mantenha seu rosto da fumaça.</li> <li>● Use ventilação e exaustão para remover fumo da zona respiratória.</li> </ul>	<ul style="list-style-type: none"> <li>● Não opere com as tampas removidas.</li> <li>● Desligue a corrente antes de fazer serviço.</li> <li>● Não toque as partes elétricas nuas.</li> </ul>	<ul style="list-style-type: none"> <li>● Mantenha-se afastado das partes moventes.</li> <li>● Não opere com os painéis abertos ou guardas removidas.</li> </ul>	Portuguese <b>ATENÇÃO</b>
<ul style="list-style-type: none"> <li>● ヒュームから頭を離すようにして下さい。</li> <li>● 換気や排煙に十分留意して下さい。</li> </ul>	<ul style="list-style-type: none"> <li>● メンテナンス・サービスに取りかかる際には、まず電源スイッチを必ず切して下さい。</li> </ul>	<ul style="list-style-type: none"> <li>● パネルやカバーを取り外したままで機械操作をしないで下さい。</li> </ul>	Japanese <b>注意事項</b>
<ul style="list-style-type: none"> <li>● 頭部遠離煙霧。</li> <li>● 在呼吸區使用通風或排風器除煙。</li> </ul>	<ul style="list-style-type: none"> <li>● 維修前切斷電源。</li> </ul>	<ul style="list-style-type: none"> <li>● 儀表板打開或沒有安全罩時不準作業。</li> </ul>	Chinese <b>警告</b>
<ul style="list-style-type: none"> <li>● 얼굴로부터 용접가스를 멀리하십시오.</li> <li>● 호흡지역으로부터 용접가스를 제거하기 위해 가스제거기나 통풍기를 사용하십시오.</li> </ul>	<ul style="list-style-type: none"> <li>● 보수전에 전원을 차단하십시오.</li> </ul>	<ul style="list-style-type: none"> <li>● 판넬이 열린 상태로 작동치 마십시오.</li> </ul>	Korean <b>위험</b>
<ul style="list-style-type: none"> <li>● ابعد رأسك بعيداً عن الدخان.</li> <li>● استعمل التهوية أو جهاز ضغط الدخان للخارج لكي تبعد الدخان عن المنطقة التي تتنفس فيها.</li> </ul>	<ul style="list-style-type: none"> <li>● أقطع التيار الكهربائي قبل القيام بأية صيانة.</li> </ul>	<ul style="list-style-type: none"> <li>● لا تشغيل هذا الجهاز اذا كانت الاغطية الحديدية الواقية ليست عليه.</li> </ul>	Arabic <b>تحذير</b>

**LEIA E COMPREENDA AS INSTRUÇÕES DO FABRICANTE PARA ESTE EQUIPAMENTO E AS PARTES DE USO, E SIGA AS PRÁTICAS DE SEGURANÇA DO EMPREGADOR.**

使う機械や溶材のメーカーの指示書をよく読み、まず理解して下さい。そして貴社の安全規定に従って下さい。

請詳細閱讀並理解製造廠提供的說明以及應該使用的銀焊材料，並請遵守貴方的有關勞動保護規定。

이 제품에 동봉된 작업지침서를 숙지하시고 귀사의 작업자 안전수칙을 준수하시기 바랍니다.

اقرأ بتمعن وافهم تعليمات المصنع المنتج لهذه المعدات والمواد قبل استعمالها واتبع تعليمات الوقاية لصاحب العمل.

## **CUSTOMER ASSISTANCE POLICY**

The business of The Lincoln Electric Company is manufacturing and selling high quality welding equipment, consumables, and cutting equipment. Our challenge is to meet the needs of our customers and to exceed their expectations. On occasion, purchasers may ask Lincoln Electric for advice or information about their use of our products. We respond to our customers based on the best information in our possession at that time. Lincoln Electric is not in a position to warrant or guarantee such advice, and assumes no liability, with respect to such information or advice. We expressly disclaim any warranty of any kind, including any warranty of fitness for any customer's particular purpose, with respect to such information or advice. As a matter of practical consideration, we also cannot assume any responsibility for updating or correcting any such information or advice once it has been given, nor does the provision of information or advice create, expand or alter any warranty with respect to the sale of our products.

Lincoln Electric is a responsive manufacturer, but the selection and use of specific products sold by Lincoln Electric is solely within the control of, and remains the sole responsibility of the customer. Many variables beyond the control of Lincoln Electric affect the results obtained in applying these types of fabrication methods and service requirements.

Subject to Change – This information is accurate to the best of our knowledge at the time of printing. Please refer to [www.lincolnelectric.com](http://www.lincolnelectric.com) for any updated information.



**CENTURY EQUIPMENT**  
2345 Murphy Blvd. • Gainesville, GA 30504

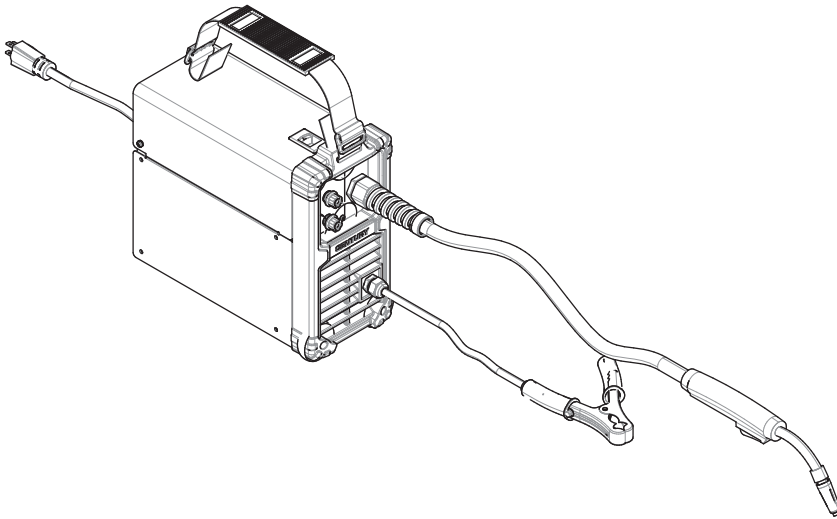


# Manual del Operador

## ***FC-90***

Para usarse con números de producto:

**12721**



# GRACIAS POR ADQUIRIR UN PRODUCTO DE PRIMERA CALIDAD DE LINCOLN ELECTRIC.

## COMPRUEBE QUE LA CAJA Y EL EQUIPO ESTÉN EN PERFECTO ESTADO DE INMEDIATO

El comprador pasa a ser el propietario del equipo una vez que la empresa de transportes lo entrega en destino. Consecuentemente, cualquier reclamación por daños materiales durante el envío deberá hacerla el comprador ante la empresa de transportes cuando se entregue el paquete.

## LA SEGURIDAD DEPENDE DE USTED

Los equipos de corte y soldadura por arco de Lincoln se diseñan y fabrican teniendo presente la seguridad. No obstante, la seguridad en general aumenta con una instalación correcta ... y un uso razonado por su parte. **NO INSTALE, UTILICE NI REPARE EL EQUIPO SI NO SE HA LEÍDO ESTE MANUAL Y LAS MEDIDAS DE SEGURIDAD QUE SE INCLUYEN EN EL MISMO.** Y, sobre todo, piense antes de actuar y sea siempre cauteloso.

### ATENCIÓN

Verá este cuadro siempre que deba seguir exactamente alguna instrucción con objeto de evitar daños físicos graves o incluso la muerte.

### PRECAUCIÓN

Verá este cuadro siempre que deba seguir alguna instrucción con objeto de evitar daños físicos leves o daños materiales.



## NO SE ACERQUE AL HUMO.

NO se acerque demasiado al arco. Si es necesario, utilice lentillas para poder trabajar a una distancia razonable del arco.

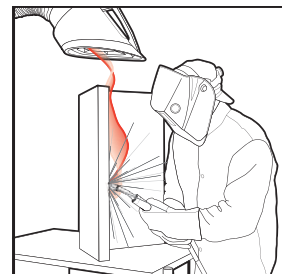
LEA y ponga en práctica el contenido de las hojas de datos sobre seguridad y el de las etiquetas de seguridad que encontrará en las cajas de los materiales para soldar.

**TRABAJE EN ZONAS VENTILADAS** o instale un sistema de extracción, a fin de eliminar humos y gases de la zona de trabajo en general.

**SI TRABAJA EN SALAS GRANDES O AL AIRE LIBRE**, con la ventilación natural será suficiente siempre que aleje la cabeza de los humos (v. a continuación).

**APROVÉCHESE DE LAS CORRIENTES DE AIRE NATURALES** o utilice ventiladores para alejar los humos.

Hable con su supervisor si presenta algún síntoma poco habitual. Es posible que haya que revisar el ambiente y el sistema de ventilación.



## UTILICE PROTECTORES OCULARES, AUDITIVOS Y CORPORALES CORRECTOS

**PROTÉJASE** los ojos y la cara con un casco para soldar de su talla y con una placa de filtrado del grado adecuado (v. la norma Z49.1 del ANSI).

**PROTÉJASE** el cuerpo de las salpicaduras por soldadura y de los relámpagos del arco con ropa de protección, como tejidos de lana, guantes y delantal ignífugos, pantalones de cuero y botas altas.

**PROTEJA** a los demás de salpicaduras, relámpagos y ráfagas con pantallas de protección.



**EN ALGUNAS ZONAS**, podría ser necesaria la protección auricular.

**ASEGÚRESE** de que los equipos de protección estén en buen estado.

Utilice gafas de protección en la zona de trabajo **EN TODO MOMENTO.**



## SITUACIONES ESPECIALES

**NO SUELDE NI CORTE** recipientes o materiales que hayan estado en contacto con sustancias de riesgo, a menos que se hayan lavado correctamente. Esto es extremadamente peligroso.

**NO SUELDE NI CORTE** piezas pintadas o galvanizadas, a menos que haya adoptado medidas para aumentar la ventilación. Estas podrían liberar humos y gases muy tóxicos.

## Medidas preventivas adicionales

**PROTEJA** las bombonas de gas comprimido del calor excesivo, de las descargas mecánicas y de los arcos; asegure las bombonas para que no se caigan.

**ASEGÚRESE** de que las bombonas nunca pasen por un circuito eléctrico.

**RETIRE** cualquier material inflamable de la zona de trabajo de soldadura.

**TENGA SIEMPRE A LA MANO UN EQUIPO DE EXTINCIÓN DE FUEGOS Y ASEGÚRESE DE SABER UTILIZARLO.**



# SECCIÓN A: ADVERTENCIAS



## ADVERTENCIAS DE ACUERDO CON LA PROPOSICIÓN 65 PARA CALIFORNIA

### Motores del diésel

De acuerdo con las investigaciones del Estado de California (EE. UU.), ciertos componentes de los gases de escape de los motores de diésel provocan cáncer, anomalías congénitas y otras toxicidades para la función reproductora.

### Motores de gasolina

De acuerdo con las investigaciones del Estado de California (EE. UU.), ciertas sustancias químicas de los gases de escape de estos motores provocan cáncer, anomalías congénitas y otras toxicidades para la función reproductora.

**LA SOLDADURA POR ARCO PUEDE SER PELIGROSA. PROTÉJASE Y PROTEJA A LA PERSONAS DE SU ENTORNO DE POSIBLES LESIONES FÍSICAS GRAVES O INCLUSO LA MUERTE. NO PERMITA QUE LOS NIÑOS SE ACERQUEN. LOS PORTADORES DE MARCAPASOS DEBERÁN ACUDIR A SU MÉDICO ANTES DE UTILIZAR EL EQUIPO.**

Lea y comprenda las siguientes instrucciones de seguridad. Si quiere saber más sobre seguridad, le recomendamos que adquiera una copia de la norma Z49.1 del ANSI "Seguridad en los trabajos de corte y soldadura" a través de la Sociedad Estadounidense de Soldadura (P.O. Box 351040, Miami, Florida 33135) o de la norma W117.2-1974 de CSA. Podrá recoger una copia gratuita del folleto "Seguridad en los procesos de soldadura por arco" en Lincoln Electric Company, situada en 22801 St. Clair Avenue, Cleveland, Ohio 44117-1199.

**ASEGÚRESE DE QUE LOS PROCESOS DE INSTALACIÓN, USO, MANTENIMIENTO Y REPARACIÓN LOS LLEVE A CABO ÚNICAMENTE UN TÉCNICO CUALIFICADO AL RESPETO.**



## PARA EQUIPOS CON MOTOR.

- 1.a. Apague el motor antes de iniciar la resolución de problemas y el trabajo de mantenimiento, a menos que el motor deba estar encendido para efectuar el trabajo de mantenimiento.



- 1.b. Utilice el motor en zonas abiertas y bien ventiladas o asegúrese de expulsar todos los gases de escape del motor al aire libre.

- 1.c. No ponga carburante cerca de un arco de soldadura con llama ni cuando el motor esté en funcionamiento. Detenga el motor y deje que se enfríe antes de volver a repostar para evitar las pérdidas de combustible derivadas de la evaporación al entrar en contacto con las partes del motor que estén calientes. No derrame combustible al llenar el depósito. Si derrama algo de combustible, límpielo y no arranque el motor hasta que los gases se hayan evaporado.



- 1.d. Asegúrese de que todos los componentes, cubiertas de seguridad y piezas del equipo estén bien instalados y en buen estado. No acerque las manos, el pelo, la ropa ni las herramientas a la correa trapezoidal, engranajes, ventiladores y otras piezas móviles al arrancar, utilizar y reparar el equipo.



- 1.e. En algunos casos, podría ser necesario retirar las cubiertas de seguridad para dar el mantenimiento necesario. Retire las cubiertas solo cuando sea necesario y vuelva a colocarlas en cuanto termine de hacer la tarea por la que las haya retirado. Sea extremadamente cauteloso cuando trabaje cerca de piezas móviles.

- 1.f. No coloque las manos cerca del ventilador del motor. No trate de hacer funcionar el regulador o el eje portador de forma manual pulsando el acelerador mientras que el motor esté en marcha.

- 1.g. Para evitar arrancar un motor de gasolina de forma accidental al cambiar el motor o el generador de soldadura, desconoce los cables de la bujía, la tapa del distribuidor o el dinamomagneto, según sea necesario.



- 1.h. Para evitar quemaduras, no retire la tapa de presión del radiador mientras que el motor esté caliente.



## LOS CAMPOS ELECTROMAGNÉTICOS PUEDEN SER PELIGROSOS.



- 2.a. El flujo de corriente eléctrica por los conductores genera campos electromagnéticos (EM) localizados. La corriente de soldadura genera campos EM en los cables para soldar y en los soldadores.
- 2.b. Los campos EM pueden interferir con ciertos marcapasos, por lo que los operarios portadores de marcapasos deberán acudir a su médico antes de soldar.
- 2.c. La exposición a los campos EM de la soldadura podría tener otros efectos sobre la salud que aún se desconocen.
- 2.d. Los operarios deberán ajustarse a los siguientes procedimientos para reducir al mínimo la exposición a los campos EM derivados del circuito del soldador:
  - 2.d.1. Guíe los cables auxiliares y del electrodo a la vez y utilice cinta adhesiva siempre que sea posible.
  - 2.d.2. No se enrolle las derivaciones del electrodo por el cuerpo.
  - 2.d.3. No se coloque entre el electrodo y los cables auxiliares. Si el cable del electrodo queda a su derecha, el cable auxiliar también deberá quedar a su derecha.
  - 2.d.4. Conecte el cable auxiliar a la pieza de trabajo lo más cerca posible de la zona en la que se esté soldando.
  - 2.d.5. No trabaje junto a la fuente de alimentación del equipo.





## UNA DESCARGA ELÉCTRICA LE PUEDE MATAR.



- 3.a. Los circuitos auxiliar (tierra) y del electrodo están vivos desde el punto de vista eléctrico cuando el soldador está encendido. No toque dichas partes "vivas" con el cuerpo. Tampoco las toque si lleva ropa que esté mojada. Utilice guantes secos y herméticos para aislarse las manos.
- 3.b. Aísle la pieza de trabajo y el suelo con un aislante seco. Asegúrese de que el aislante sea lo suficientemente amplio como para cubrir toda la zona de contacto físico con la pieza y el suelo.

**Además de adoptar las medidas de seguridad habituales, si debe soldar en condiciones arriesgadas desde el punto de vista eléctrico (en zonas húmedas o mientras lleva ropa mojada; en estructuras metálicas como suelos, rejas o andamios; en posiciones poco habituales, como sentado, de rodillas o tumbado, si hay probabilidades de tocar de forma accidental la pieza de trabajo o el suelo), el operario deberá utilizar los siguientes equipos:**

- Soldador (TIG) semiautomático para corriente continua (CC)
  - Soldador (electrodo) manual para CC
  - Soldador para CA con control reducido de la tensión
- 3.c. En los equipos TIG automáticos o semiautomáticos, el electrodo, el carrete del electrodo, el cabezal del equipo, la boquilla y la pistola semiautomática también están vivas desde el punto de vista de la electricidad.
  - 3.d. Asegúrese de que el cable auxiliar presente una buena conexión eléctrica con el metal que se esté soldando. La conexión deberá hacerse lo más cerca posible de la zona de trabajo.
  - 3.e. Haga una buena conexión a tierra con la pieza de trabajo o el metal que vaya a soldar.
  - 3.f. Mantenga el soporte del electrodo, las pinzas, el cable del equipo y la máquina de soldar en buen estado de funcionamiento. Cambie el aislante si está dañado.
  - 3.g. Nunca sumerja el electrodo en agua para enfriarlo.
  - 3.h. No toque nunca de forma simultánea las piezas vivas desde el punto de vista eléctrico de los soportes de los electrodos conectados a los dos equipos, ya que la tensión existente entre las dos podría ser equivalente a la tensión de los circuitos de los dos equipos.
  - 3.i. Cuando tenga que trabajar por encima del nivel del suelo, utilice un arnés a modo de protección por si se produjera una descarga y se cayera.
  - 3.j. Consulte también los apartados 6.c. y 8.



## LAS RADIACIONES DEL ARCO QUEMAN.



- 4.a. Utilice un protector con el filtro y las cubiertas debidos para protegerse los ojos de las chispas y de las radiaciones del arco cuando esté soldando u observando una soldadura por arco. Los protectores faciales y las lentes de filtrado deberán adaptarse a las normas ANSI Z87.1.
- 4.b. Utilice ropa adecuada y fabricada con materiales ignífugos y duraderos para protegerse la piel y proteger a sus compañeros de las radiaciones del arco.
- 4.c. Proteja a los técnicos que estén en las inmediaciones con una pantalla ignífuga y pídale que no miren al arco y que no se expongan a la radiación del arco ni a las salpicaduras.



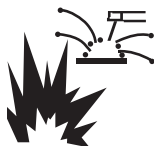
## LOS HUMOS Y GASES PUEDEN SER PELIGROSOS.



- 5.a. Al soldar, se pueden generar humos y gases peligrosos para la salud. Evite respirar dichos humos y gases. Si va a soldar, no se acerque al humo. Asegúrese de que haya una buena ventilación en la zona del arco para garantizar que no se respiren los humos y gases. **Si debe soldar superficies revestidas (consulte las instrucciones del contenedor o las hojas de datos sobre seguridad) o superficies de plomo, acero u otros metales cadmiados, asegúrese de exponerse lo menos posible y de respetar los PEL (límites de exposición permisibles) de la OSHA y los TLV (valores límite) de la ACGIH. Para ello, utilice los sistemas de extracción y de ventilación locales, a menos que la evaluación de la exposición indiquen lo contrario. En espacios cerrados y, en algunos casos, en espacios abiertos, necesitará un respirador. Además, deberá tomar precauciones adicionales cuando suelde acero galvanizado.**
- 5.b. La función del equipo de control del humo de la soldadura se ve afectada por varios factores, como el uso y la colocación correctos del equipo, el mantenimiento del equipo y los procedimientos concretos aplicados a la hora de soldar. El nivel de exposición de los trabajadores deberá comprobarse en el momento de la instalación y de forma periódica después de entonces, a fin de garantizar que este se ajuste a los PEL de la OSHA y a los TLV de la ACGIH.
- 5.c. No utilice el equipo para soldar en zonas rodeadas de vapores de hidrocarburo clorado procedentes de operaciones de desengrasado, limpieza o pulverización. El calor y la radiación del arco pueden reaccionar con los vapores del disolvente y formar fosgeno, un gas muy tóxico, y otros productos irritantes.
- 5.d. Los gases de protección que se utilizan en la soldadura por arco pueden desplazar el aire y provocar lesiones o incluso la muerte. Asegúrese de que haya suficiente ventilación, en particular en zonas cerradas, para garantizar que el aire que respire sea seguro.
- 5.e. Lea y comprenda las instrucciones del fabricante del equipo y de los fungibles utilizados, incluidas la hojas de datos sobre seguridad, y siga las prácticas de seguridad aprobadas por su empresa. Obtendrá hojas de datos sobre seguridad de la mano de su distribuidor de equipos de soldar o del propio fabricante.
- 5.f. Consulte también el apartado 1.b.




## LAS CHISPAS DERIVADAS DE CORTES Y SOLDADURAS PUEDEN PROVOCAR INCENDIOS O EXPLOSIONES.



- 6.a. Elimine cualquier factor de riesgo de incendio de la zona de trabajo. Si no fuera posible, cubra los materiales para evitar que las chispas puedan crear un incendio. Recuerde que las chispas derivadas de las soldaduras pueden pasar con facilidad, a través de grietas pequeñas a zonas adyacentes. Además, los materiales pueden calentarse con rapidez. Evite soldar cerca de conductos hidráulicos. Asegúrese de tener un extintor a la mano.
- 6.b. Si tuviera que usar bombonas de gas comprimido en las zonas de trabajo, tome las medidas apropiadas para evitar situaciones de riesgo. Consulte el documento "Seguridad en los trabajos de corte y soldadura" (norma Z49.1 del ANSI) y los datos de funcionamiento del equipo utilizado.
- 6.c. Cuando no esté utilizando el equipo, asegúrese de que el circuito del electrodo no toque en absoluto la zona de trabajo ni el suelo. Si se pusieran en contacto de forma accidental, dichas partes podrían sobrecalentarse y provocar un incendio.
- 6.d. No caliente, corte ni suelde depósitos, bobinas o contenedores hasta que se haya asegurado de que tales procedimientos no harán que los vapores inflamables o tóxicos del interior de dichas piezas salgan al exterior. Estos pueden provocar explosiones incluso si se han "limpiado". Para saber más, adquiera el documento "Prácticas seguras y recomendables de preparación para los procesos de corte y soldadura de contenedores y conductos que han contenido sustancias peligrosas" (AWS F4.1) a través de la Sociedad Estadounidense de Soldadura (consulte la dirección más arriba).
- 6.e. Ventile los contenedores y piezas de fundición antes de calentarlos, cortarlos o soldarlos. Podrían explotar.
- 6.f. El arco de soldadura desprende chispas y salpicaduras. Utilice prendas de protección, como guantes de piel, camisas gruesas, pantalones sin dobladillos, botas altas y un gorro para el pelo. Utilice un protector auricular cuando suelde en un lugar distinto del habitual o en espacios cerrados. Cuando esté en la zona de trabajo, utilice siempre gafas de protección con blindaje lateral.
- 6.g. Conecte el cable auxiliar tan cerca de la zona de trabajo como le sea posible. Conectar los cables auxiliares a la estructura del edificio o a cualquier otra ubicación distinta de la zona de trabajo aumenta las probabilidades de que la corriente pase por cadenas de elevación, cables de grúas u otros circuitos alternos. Esto podría generar un riesgo de incendio y sobrecalentar los cables y cadenas de elevación hasta que fallaran.
- 6.h. Consulte también el apartado 1.c.
- 6.i. Lea y comprenda la norma NFPA 51B, "Norma para la prevención de incendios en trabajos de soldadura y corte entre otros", disponible a través de la NFPA, situada en 1 Batterymarch Park, PO box 9101, Quincy, MA 022690-9101.
- 6.j. No utilice las fuentes de alimentación del equipo para descongelar conductos.



## SI SE DAÑAN, LAS BOMBONAS PUEDEN EXPLOTAR.

- 7.a. Utilice únicamente bombonas de gas comprimido que contengan los gases de protección adecuados para el proceso en cuestión, así como reguladores diseñados para un gas y presión concretos. Todos los conductos, empalmes, etc. deberán ser adecuados para el uso en cuestión y mantenerse en buen estado. 
- 7.b. Guarde las bombonas siempre en vertical y asegúrelas correctamente a un bastidor o a un soporte fijo.
- 7.c. Las bombonas deberán almacenarse:
  - Alejadas de aquellas zonas en las que puedan recibir golpes o estar sujetas a daños físicos.
  - A una distancia segura de las zonas de soldadura por arco y de corte y de cualquier otra fuente de calor, chispas o llamas.
- 7.d. No deje que el electrodo, el soporte del electrodo ni ninguna otra pieza viva desde el punto de vista eléctrico entre en contacto con una bombona.
- 7.e. No acerque la cabeza ni la cara a la válvula de salida de la bombona cuando abra dicha válvula.
- 7.f. Las tapas de protección de la válvula siempre deberán estar en su sitio y bien apretadas, excepto cuando la bombona se esté utilizando o esté conectada.
- 7.g. Lea y comprenda las instrucciones relativas a las bombonas de gas comprimido, las instrucciones del material asociado y la publicación P-I de la CGA, "Precauciones para la manipulación segura de las bombonas de gas comprimido", disponible a través de la Asociación de Gas Comprimido, situada en 14501 George Carter Way Chantilly, VA 20151.



## PARA EQUIPOS ELÉCTRICOS.



- 8.a. Desconecte la potencia de entrada a través del interruptor de desconexión del cuadro de fusibles antes de empezar a trabajar con el equipo.
- 8.b. Instale el equipo de acuerdo con el Código Eléctrico Nacional de EE. UU., los códigos locales aplicables y las recomendaciones del fabricante.
- 8.c. Conecte el equipo a tierra de acuerdo con el Código Eléctrico Nacional de EE. UU. y las recomendaciones del fabricante.

**Consulte**  
<http://www.lincolnelectric.com/safety>  
**para saber más sobre la seguridad.**

---

**TABLA DE CONTENIDO**

<b>Instalación</b> .....	<b>3</b>
Especificaciones Técnicas.....	3
Funciones Premium.....	3
Elección de la Ubicación Adecuada.....	4
Pulido .....	4
Estibación .....	4
Transporte – Descarga .....	4
Inclinación .....	4
Clasificación Nominal Ambiental .....	4
Conexiones de Entrada .....	5
Carga e Inserción del Alambre.....	6
<b>Operación</b> .....	<b>8</b>
Operación de la Máquina.....	8
Listas de Partes de Reemplazo.....	9
<b>Mantenimiento</b> .....	<b>10</b>
Mantenimiento de Rutina y Periódico .....	10
<b>Localización de Averías</b> .....	<b>10</b>
Cómo Utilizar la Guía de Localización de Averías.....	10

# INSTALACIÓN

## ESPECIFICACIONES TÉCNICAS - K3493-1 - FC-90

<b>RANGO DE CORRIENTE DE SALIDA</b>
30-90 A
<b>VOLTAJE DE CIRCUITO ABIERTO</b>
19V (RMS)
<b>AMPS DE SALIDA</b>
80A
<b>CIRCUITO DE ENTRADA</b>
120VCA
<b>CICLO DE TRABAJO</b>
30%@80A

<b>VELOCIDAD DE ALIMENTACIÓN DE ALAMBRE</b>
0 - 120 IPM
<b>DIÁMETRO DE ALAMBRE ADECUADO</b>
0.030", 0.035"
<b>PESO BRUTO</b>
15LBS (7KGS)
<b>IPS RATING</b>
1P21S

### LAS FUNCIONES PREMIUM INCLUYEN:

1. Fuente de poder de inversor – mucho más eficiente de operar, proporciona características de soldadura más uniformes que las soldadoras tradicionales
2. El voltaje de soldadura infinito permite un ajuste fino de las características de soldadura
3. Ciclo de trabajo del 30% a 80 amps
4. De peso ligero y portátil – Ideal para el mantenimiento y soldadura móviles

### PROTECCIÓN TERMAL

La máquina tiene un ciclo de trabajo máximo de salida de 30%. Si se excede el ciclo de trabajo, un protector termal apagará la salida hasta que la máquina se enfríe a una temperatura de operación normal. Esta es una función automática de la máquina y no requiere la intervención del usuario.

Lea toda esta sección de instalación antes de empezar a instalar.

### Precauciones de Seguridad

No intente utilizar este equipo hasta que haya leído toda la información de instalación, operación y mantenimiento que se proporciona con su equipo. Incluye precauciones de seguridad importantes e instrucciones detalladas de operación y mantenimiento.

#### ADVERTENCIA

La **DESCARGA ELÉCTRICA** puede provocar la muerte.

- Sólo personal calificado deberá realizar esta instalación.
- No toque las partes eléctricamente vivas.
- Siempre conecte la máquina a una red eléctrica aterrizada.



### SELECCIÓN DE LA UBICACIÓN ADECUADA

Coloque la soldadora donde el aire de enfriamiento limpio pueda circular libremente hacia adentro y afuera de las rejillas frontales y traseras. Deberá mantenerse al mínimo la suciedad, polvo o cualquier material extraño que pudiera entrar a la soldadora. Ignorar estas precauciones puede dar como resultado temperaturas de operación excesivas que pueden llevar a la falla de las instalaciones.

### PULIDO

No dirija las partículas del pulido hacia la soldadora. La abundancia de material conductivo puede provocar la falla de las instalaciones.

### ESTIBACIÓN

No es posible estibar esta máquina.

### TRANSPORTE – DESCARGA

Nunca subestime el peso del equipo; no lo mueva o deje suspendido en el aire por arriba de la gente.

#### ADVERTENCIA

La caída del equipo puede provocar lesiones. Nunca levante la soldadora con el cilindro de gas conectado. Nunca levante por arriba del personal.



### INCLINACIÓN

La máquina deberá colocarse sobre una superficie segura nivelada.

### CLASIFICACIÓN NOMINAL AMBIENTAL

La fuente de poder de soldadura tiene la clasificación IP21S. Se puede utilizar en ambientes industriales y comerciales normales. Evite utilizar en áreas rodeadas de agua / lluvia.

En caso de que sea necesario realizar la soldadura bajo condiciones eléctricas peligrosas como soldar en áreas húmedas o agua sobre la pieza de trabajo, lea y siga las 'Advertencias de Descarga Eléctrica' en la sección de seguridad.

#### ADVERTENCIA

La **DESCARGA ELÉCTRICA** puede provocar la muerte.

- Esta soldadora deberá aterrizar a una tierra física



#### PRECAUCIÓN

El generador de alta frecuencia, siendo similar a un transmisor de radio, puede causar interferencia a equipo electrónico o de radio y TV.

- Estos problemas pueden ser el resultado de la interferencia radiada. Métodos adecuados de aterrizamiento pueden reducir o eliminar esto.



La interferencia radiada puede desarrollarse en las siguientes formas:

1. Interferencia directa de la fuente de poder de soldadura.
2. Interferencia directa de los cables de soldadura.
3. Interferencia directa radiada de la retroalimentación en las líneas de alimentación.
4. Interferencia de la reradiación por objetos metálicos no aterrizados

Teniendo en cuenta estos factores e instalar el equipo con base en las siguientes instrucciones deberá minimizar los problemas.

1. Mantenga las líneas de alimentación de la soldadora tan cortas como sea posible y colóquelas dentro de conductos metálicos o protección equivalente. Deberá haber un buen contacto eléctrico entre este conducto y la conexión a tierra (tierra física).
2. Mantenga los cables del trabajo y electrodo tan cortos como sea posible. Una los cables con cinta cuando sea práctico.
3. Asegúrese de que las cubiertas de goma de la antorcha y conexión a tierra estén libres de cortaduras y fisuras que permitan la fuga de la potencia de soldadura.
4. Mantenga la conexión del cable de aterrizamiento al trabajo en buenas condiciones – Limpie regularmente el área sobre la mesa de trabajo donde se localiza la abrazadera a tierra.

## CONEXIÓN DE LA ALIMENTACIÓN

La máquina tiene una conexión de entrada, el cable de alimentación. Éste se localiza en la parte posterior.

La FC-90 se proporciona con un cable de 120V y 1.8m (6.0 pies) de longitud, con un enchufe 5-15P de 15 amps moldeado en el cable. La salida nominal de FC-90 está disponible cuando se conecta a un circuito de derivación de 20A.

En caso de conectarse a un circuito de derivación de capacidad inferior, deberán utilizarse una corriente de soldadura y ciclo de trabajo menores.

## REQUERIMIENTOS DE CÓDIGOS PARA CONEXIONES DE ENTRADA ELÉCTRICAS

### ADVERTENCIA

**Esta máquina de soldadura deberá conectarse a una fuente de poder, de acuerdo con los códigos eléctricos aplicables.**

El Código Eléctrico Nacional proporciona estándares para la capacidad de manejo del amperaje de los conductores de alimentación con base en el ciclo de trabajo de la fuente de soldadura.

Si existe alguna duda sobre si la instalación cumple con los requerimientos de los códigos eléctricos aplicables, consulte a un electricista calificado.

### ADVERTENCIA

**No conecte la máquina a una fuente de energía de entrada con un voltaje nominal mayor a 125 voltios..**

**No remueva el contacto a tierra del cable de alimentación.**

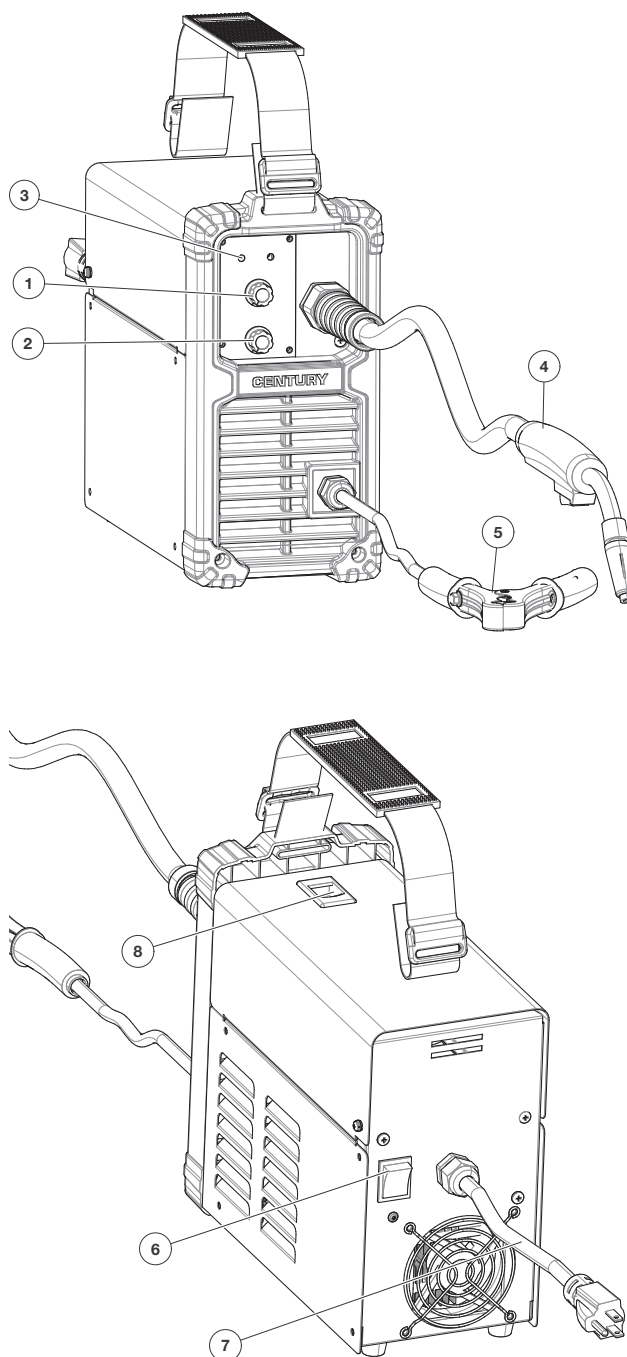
## USO DEL CABLE DE EXTENSIÓN

Si se requiere un cable de extensión, utilice uno que esté clasificado para la aplicación y que sea un #14 AWG de 3 conductores (2.1 mm<sup>2</sup>) o más grande. Las longitudes máximas recomendadas son 7.5 m (25 pies) si se utiliza el #14 AWG (2.1 mm<sup>2</sup>) y de 15 m (50 pies) si se utiliza el #12 AWG (3.3 mm<sup>2</sup>).

## SOLDADURA DE ARCO TUBULAR (INNERSHIELD)

El electrodo recomendado para el proceso de alambre tubular autoprotégido es el Innershield NR-211-MP de Lincoln de 0.9 mm (0.035") de diámetro en carretes de .5 kg (1 libra).

FIGURA 1



1. Ajuste del voltaje
2. Ajuste de la velocidad del alimentador de alambre
3. Luces de encendido y protección
4. Antorcha de alambre tubular sin gas
5. Pinza de trabajo
6. Interruptor de encendido
7. Cable de alimentación
8. Bisagra de la cubierta del carrete

## CARGA E INSERCIÓN DEL ALAMBRE

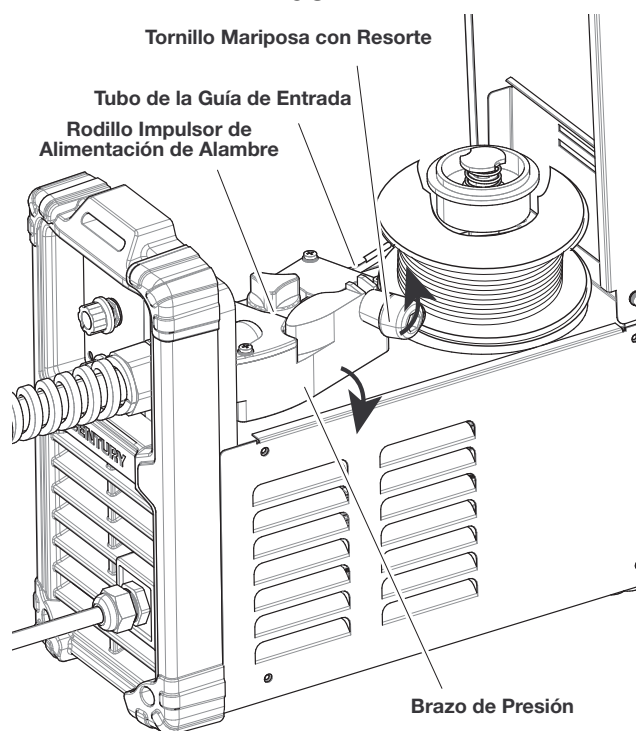
Consulte la Figura 2.

Coloque el interruptor de la máquina en la posición de APAGADO ("0") antes de trabajar adentro de la cubierta del mecanismo de alimentación de alambre.

Asegúrese de que el rodillo impulsor de alimentación de alambre y la punta de contacto de la pistola correspondan al diámetro y tipo de alambre utilizado.

1. Presione el carrete sobre el eje, en tal forma que el alambre se alimente desde el fondo del carrete hacia el rodillo impulsor.
2. Empuje el espaciador sobre el eje y contra el carrete.
3. Deslice el resorte sobre el carrete; después presione el seguro del carrete y gire a la derecha hasta asegurar el ensamble del carrete sobre el eje.

FIGURA 2

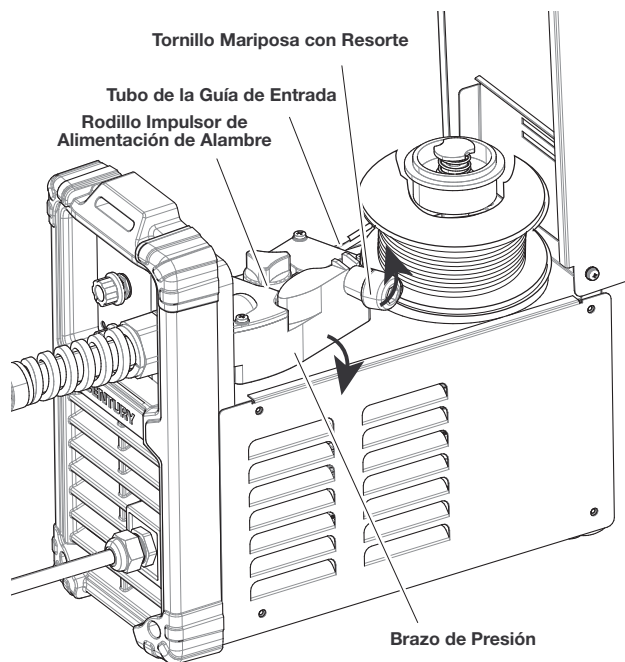


## DETALLES DE INSERCIÓN DEL ALAMBRE

Consulte la Figura 3.

4. Libere el tornillo mariposa con resorte y gire el brazo del rodillo de presión en dirección contraria al rodillo impulsor de alimentación de alambre. Asegúrese de que el tamaño grabado visible, en el lado del rodillo impulsor frente a usted, corresponda al tamaño de alambre que se está utilizando.
5. Con cuidado, separe la punta del alambre del carrete. Mantenga la tensión del alambre para evitar que el carrete se desenrede y no suelte el alambre hasta el paso 5.
6. Corte la parte doblada del alambre y enderece los primeros 100 mm (4").
7. Inserte el alambre a través del tubo de la guía de entrada, sobre el rodillo impulsor, hasta la guía de alambre de la pistola.
8. Cierre el brazo del rodillo de presión y gire hacia abajo el tornillo mariposa hasta que el rodillo de presión presione firmemente el alambre. (Ahora, puede liberar el alambre de soldadura). Asegúrese de que el alambre esté posicionado en la ranura del rodillo impulsor inferior.
9. El tornillo mariposa con resorte sobre el brazo del rodillo de presión ajusta la presión del alambre. Ajuste la presión girando el tornillo mariposa en tal forma que el carrete no se desenrede pero que al mismo tiempo se permita una alimentación de alambre fácil y sin problemas. Empiece estableciendo la presión en un valor intermedio. Vuelva a ajustar si es necesario. Si el rodillo impulsor se desliza mientras alimenta alambre, entonces se deberá aumentar la presión hasta que el alambre se alimente adecuadamente.

FIGURA 3

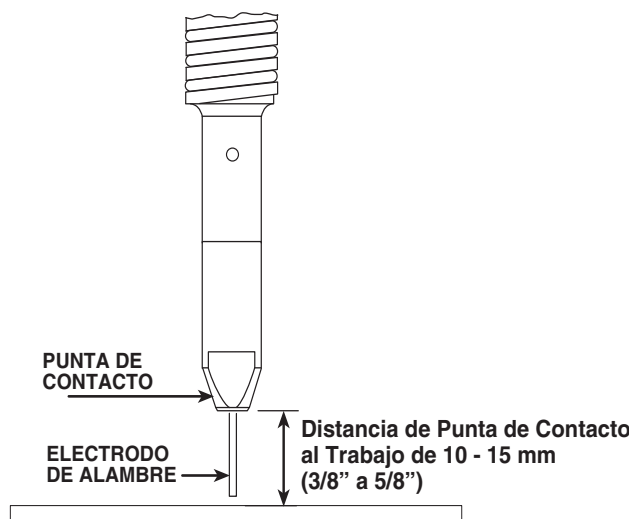


## ADVERTENCIA

Cuando alimenta el alambre de soldadura a través de la pistola, el rodillo impulsor, el bloque del conector de la pistola y la punta de contacto de la pistola están siempre energizados en relación con el trabajo y aterrizamiento.

**PUNTA ELECTRIZADA DE ALAMBRE**

10. Remueva la punta de contacto y tobera de la pistola.
11. ENCIENDA la máquina ("I").
12. Enderece el ensamble del cable de la pistola.
13. Oprima el interruptor del gatillo de la pistola y alimente el alambre a través de la pistola y cable. (Mientras alimenta alambre, asegúrese de que la pistola apunte en dirección contraria a usted y de otros). Libere el gatillo de la pistola en cuanto el alambre aparezca en la punta de la pistola.
14. Apague la máquina.
15. Vuelva a colocar la tobera y punta de contacto. Consulte la Figura B-4. Corte el alambre de manera que salgan 10 - 15 mm (3/8" a 5/8") de la punta.
16. Encienda la máquina. Ahora ya está lista para soldar.

**FIGURA 4**



# OPERACIÓN

Lea y comprenda toda esta sección antes de operar su CrossLinc Remote.

## Precauciones de Seguridad

No intente operar este equipo hasta que haya leído completamente todos los manuales de operación y mantenimiento que se proporcionan con su equipo y cualquier máquina de soldadura relacionada que se utilizará con el mismo. Incluyen precauciones de seguridad e instrucciones de operación y mantenimiento importantes, así como listas de partes.

### ADVERTENCIA

La **DESCARGA ELÉCTRICA** puede causar la muerte.

- No toque las partes eléctricamente vivas como las terminales de salida o cableado interno.
- Aíslese del trabajo y tierra.
- Siempre utilice guantes aislantes secos.



Las **CHISPAS DE SOLDADURA** pueden provocar un incendio o explosión.

- Mantenga el material inflamable alejado.
- No suelde en contenedores que hayan albergado combustibles.



Los **RAYOS DEL ARCO** pueden quemar.

- Utilice protección para los ojos, oídos y cuerpo.



Los **HUMOS Y GASES** pueden resultar peligrosos.

A pesar de que la eliminación de la materia particulada del humo de soldadura puede reducir el requerimiento de ventilación, las concentraciones transparentes de los humos y gases expulsados todavía pueden resultar peligrosas para la salud. Evite respirar las concentraciones de estos humos y gases. Utilice ventilación adecuada cuando suelde. Vea ANSI Z49.1, "Seguridad en la Soldadura y Corte" publicado por la Sociedad Estadounidense de Soldadura.

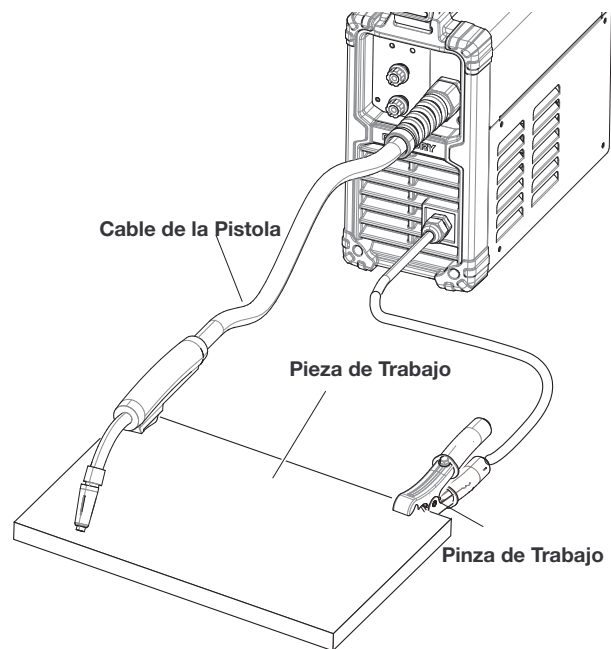


## OPERACIÓN DE LA MÁQUINA

Una vez que ha configurado la máquina de acuerdo con las instrucciones, consulte la Tabla B.1 y la Etiqueta de Procedimiento localizada dentro de la puerta del compartimento del mecanismo de alimentación de su máquina para información de instalación, consumibles y consejos rápidos de soldadura.

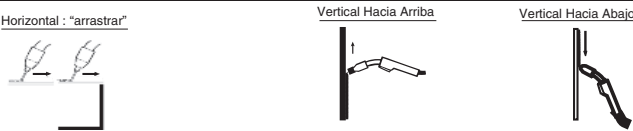
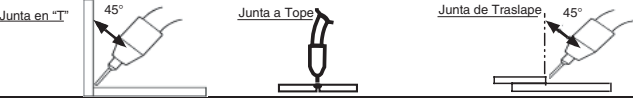
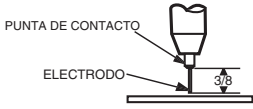
1. Seleccione el voltaje de soldadura (potencia) requerido en el panel frontal, con base en el grosor del material de la pieza de trabajo.
2. Seleccione la velocidad de alimentación de alambre requerida con la perilla de 'alimentación de alambre'.
3. Asegúrese de que está utilizando la ropa y equipo de seguridad correctos para la soldadura (es decir, careta de soldadura, guantes, delantal, etc.)

FIGURA 5



4. Conecte la pinza de trabajo al metal que se soldará. La pinza de trabajo deberá hacer buen contacto eléctrico con la pieza de trabajo. La pieza de trabajo también deberá estar aterrizada como se establece en las Precauciones de Seguridad de la Soldadura de Arco al principio de este manual.
5. Con base en el tipo y orientación de la junta de soldadura, posicione la pistola en la junta al ángulo correcto.
6. A fin de empezar a soldar, levante su careta de mano ou abaissez votre casque para proteger sus ojos y apriete el gatillo.
7. Mientras suelda, tenga una velocidad de recorrido constante y mantenga una punta electrizada de alambre de 3/8".
8. Para dejar de soldar, libere el gatillo de la pistola.
9. Cuando ya no vaya a soldar, apague la máquina.

**TABLA B.1**

FCAW – Sin Gas (Alambre Tubular)			
Alambre de Soldadura	NR-211-MP de Lincoln, .035 (Alambre Tubular Innershield)		
Punta de contacto	0.9mm (.035) – Parte Núm. KH712 de Lincoln		
Rodillo impulsor	Ranura estriada de 0.9mm - Parte Núm. KP4364-035 de Lincoln		
Carga del Alambre	<p>Recuerde: remueva la punta de contacto antes de cargar el alambre mantenga la tensión del alambre para que no se desenrede.</p> <ol style="list-style-type: none"> <li>1. Corte la parte doblada del alambre y enderece los primeros 100 mm (4") para alimentar en los rodillos y pistola.</li> <li>2. Libere el brazo de presión con resorte y gire el brazo del rodillo de presión en dirección contraria al rodillo impulsor.</li> <li>3. Inserte el alambre a través del tubo de la guía, sobre el rodillo impulsor, hasta la guía de alambre de la pistola. Cierre el brazo del rodillo de presión.</li> </ol>		
Tensión de Alimentación de Alambre	Las sugerencias de parámetros de velocidad de alimentación de alambre en la siguiente tabla se basan en una configuración de tensión de alambre promedio. La tensión se puede cambiar si es necesario para mejorar la alimentación de alambre; sin embargo, tal vez resulte necesario ajustar la configuración WFS de los valores en la tabla a continuación.		
Sugerencias de Parámetros de Soldadura	Grosor del Acero	Velocidad de alimentación de alambre	Rango de Calor
	Acero de calibre 18	6	5
	Acero de calibre 16	6.5	6
	Acero de calibre 14	7.5	7
	Acero de calibre 12	8	8
Acero de calibre 1/8"	8.5	8.5	
Consejos útiles	<p>Suelde a un ritmo estable.</p> <p>NO zigzaguee el arco, ya sea hacia adelante, atrás o a los lados.</p> <p>Remueva al escoria con el martillo cincelador para exponer la soldadura.</p> <p>Para las juntas de soldadura horizontales, recuerde: "arrastre si hay escoria".</p> <p>Consulte el manual para solucionar una calidad de soldadura deficiente.</p>		
Dirección de la Soldadura Y Ángulo de la Pistola Relativo a la Dirección de Soldadura	<p>Horizontal : "arrastrar"</p> <p>Vertical Hacia Arriba</p> <p>Vertical Hacia Abajo</p> 		
Ángulos Adecuados de la Pistola para Tipos de Juntas de Soldadura Comunes	<p>Junta en "T" 45°</p> <p>Junta a Tope</p> <p>Junta de Traslape 45°</p> 		
Punta Electrizada de Alambre	<p>Mantenga una punta electrizada de alambre de 3/8" mientras suelda</p> 		

**LISTA DE PARTES DE REEMPLAZO**

Punta de contacto (.035")	KH712 (0.9MM /.035")
Rodillo impulsor	KP4364-035
Tobera	KH726
Alambre FCAW	LINCOLN .035 NR-211-MP

**⚠ ADVERTENCIA**

El uso de esta unidad con materiales más gruesos de los recomendados puede dar como resultado una soldadura de mala calidad. Las soldaduras parecen correctas pero podrían carecer de la fusión o unión necesarias para producir una soldadura firme. Esto se llama "electroformación" o "falta de fusión de cordones" y es algo parecido a la junta de pasta de soldadura fría. El resultado puede ser una falla en la soldadura.

# MANTENIMIENTO

## ⚠️ ADVERTENCIA

La **DESCARGA ELÉCTRICA** puede causar la muerte.

- **APAGUE** la alimentación de la fuente de poder de soldadura antes de instalar o cambiar los rodillos impulsores y/o guías.
- No toque partes eléctricamente vivas.
- Cuando se desplaza con el gatillo de la pistola, el electrodo y mecanismo de alimentación están “calientes” para trabajar y hacer tierra, y podrían permanecer energizados por varios segundos después de que se suelta el gatillo.
- No opere sin las cubiertas, paneles o guardas o si están abiertos.
- Sólo personal calificado deberá realizar el trabajo de mantenimiento.



## ELEMENTOS QUE NO REQUIEREN MANTENIMIENTO

- Motor Impulsor y Caja de Engranajes – Lubricación de por vida
- Eje del Carrete de Alambre – No lubrique el eje

## MANTENIMIENTO DE RUTINA Y PERIÓDICO

- **ANTES DE CADA USO** - Revise la máquina y accesorios en busca de cualquier condición obvia que pudiera evitar un desempeño u operación seguros. Repare o reemplace los elementos según sea necesario para corregir cualquier condición anormal.

## DESPUÉS DE 5 MINUTOS DE SOLDADURA O CUANDO LA SALPICADURA SE ACUMULA EN LA PUNTA DE CONTACTO:

- **LIMPIEZA DE LA PUNTA Y TOBERA** - Con el interruptor de encendido en la posición de apagado, mantenga la punta de contacto y tobera limpias para evitar que el arco haga un puente entre ellas, ya que esto puede dar como resultado una tobera con corto, soldaduras deficientes y una pistola sobrecalentada. Consejo: un atomizador o gel antiadherente, disponible de su proveedor de artículos de soldadura, puede reducir la acumulación y ayudar a remover la salpicadura.

# LOCALIZACIÓN DE AVERÍAS

## CÓMO UTILIZAR ESTA GUÍA DE LOCALIZACIÓN DE AVERÍAS

## ⚠️ ADVERTENCIA

Sólo el Personal Capacitado de Fábrica de Lincoln Electric deberá realizar el Servicio y Reparación. Las reparaciones no autorizadas realizadas en este equipo pueden representar un peligro para el técnico y operador de la máquina e invalidarán su garantía de fábrica. Por su seguridad y, a fin de evitar una Descarga Eléctrica, tome en cuenta todas las notas y precauciones de seguridad detalladas en este manual.

Esta Guía de Localización de Averías se proporciona para ayudarle a localizar y reparar posibles malos funcionamientos de la máquina. Siga simplemente el procedimiento de tres pasos que se enumera a continuación.

### Paso 1. LOCALICE EL PROBLEMA (SÍNTOMA).

Busque bajo la columna titulada “PROBLEMA (SÍNTOMAS)”. Esta columna describe posibles síntomas que la máquina pudiera presentar. Encuentre la lista que mejor describa el síntoma que la máquina está exhibiendo.

### Paso 2. CAUSA POSIBLE

La segunda columna titulada “CAUSA POSIBLE” enumera las posibilidades externas obvias que pueden contribuir al síntoma de la máquina.

### Paso 3. CURSO DE ACCIÓN RECOMENDADO

Esta columna proporciona un curso de acción para la Causa Posible; generalmente indica que contacte a su Taller de Servicio de Campo Autorizado de Lincoln local.

Si no comprende o no puede llevar a cabo el Curso de Acción Recomendado en forma segura, contacte a su Taller de Servicio de Campo Autorizado de Lincoln local.

## ⚠️ ADVERTENCIA

La **DESCARGA ELÉCTRICA** puede provocar la muerte.

- Apague la máquina en el interruptor de desconexión en la parte posterior de la misma y desconecte la fuente de energía principal antes de llevar a cabo cualquier localización de averías.



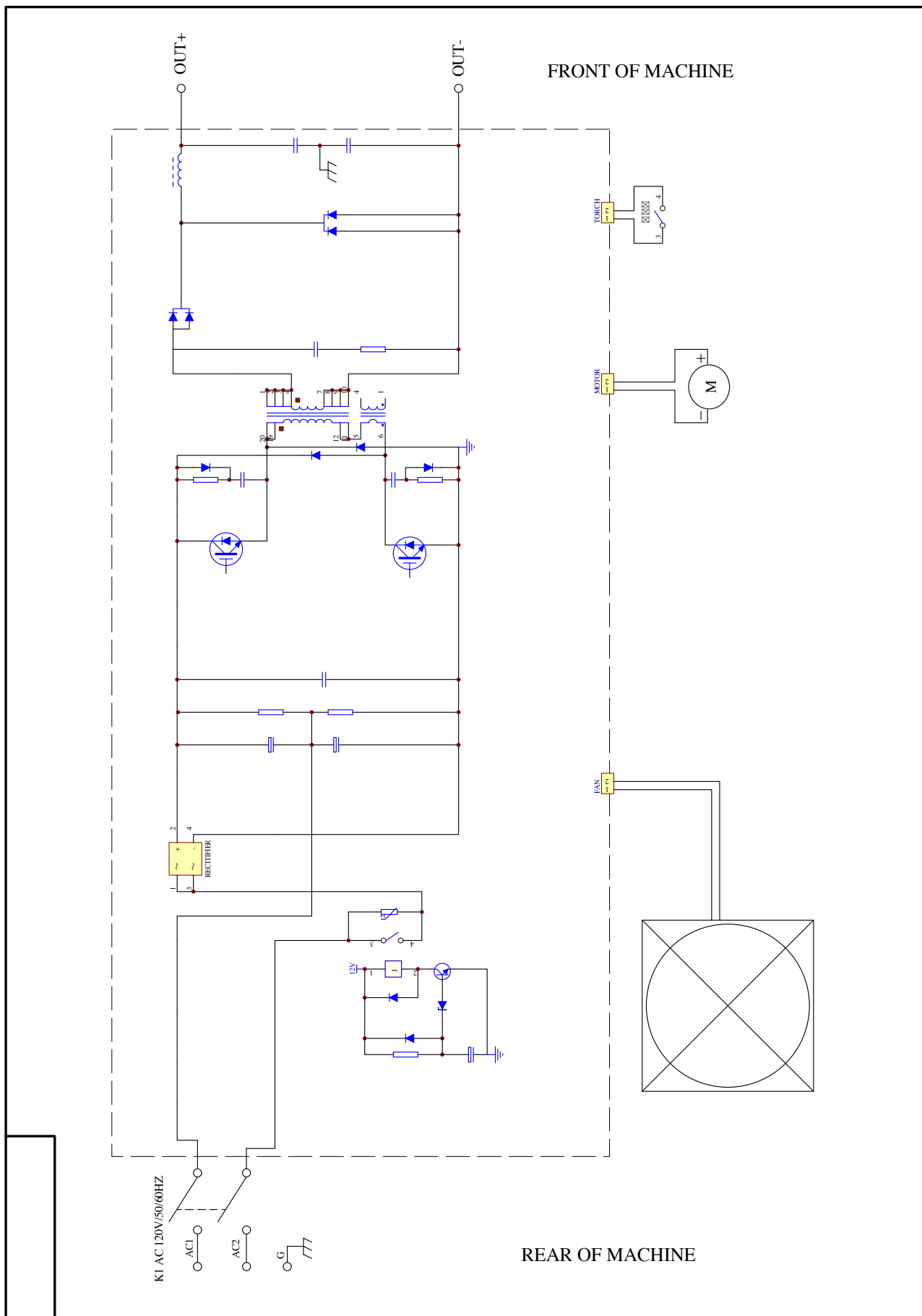
Observe todos los Lineamientos de Seguridad detallados a lo largo de este manual

PROBLEMA (SÍNTOMAS)	ÁREAS POSIBLES DE DESAJUSTE	CURSO RECOMENDADO DE ACCIÓN
El cordón es muy grueso (intermitentemente).	La velocidad de recorrido es lenta y/o inconsistente.	Aumente y mantenga una velocidad de recorrido constante.
	El rango de calor de salida es muy alto.	Baje la tensión.
El cordón no penetra la base de metal.	La velocidad de recorrido es inconsistente.	Disminuya y mantenga una velocidad de recorrido constante.
	El rango de calor de salida es muy bajo.	Gire la tensión hacia arriba.
El alambre salpica y se adhiere a la pieza de trabajo.	El alambre está húmedo.	Cambie para secar el alambre. Asegúrese de que el alambre esté almacenado en una ubicación seca.
	La velocidad de alimentación de alambre (WFS) es muy rápida.	Redúzcala.
El borde la soldadura tiene depresiones irregulares.	La velocidad de recorrido es muy rápida.	Redúzcala.
	WFS es muy rápida.	Disminúyala.
	El rango de calor de salida es muy alto.	Establezca el interruptor de Rango de Calor Bajo – Alto en Bajo y/o el Ajuste de Calor Fino en (1).



Si por alguna razón usted no entiende los procedimientos de prueba o es incapaz de efectuar las pruebas y reparaciones de manera segura, contacte su Taller de Servicio de Campo Lincoln Autorizado para asistencia en la localización de fallas técnicas antes de proceder.

[WWW.LINCOLNELECTRIC.COM/LOCATOR](http://WWW.LINCOLNELECTRIC.COM/LOCATOR)



			
<b>WARNING</b>	<ul style="list-style-type: none"> <li>● Do not touch electrically live parts or electrode with skin or wet clothing.</li> <li>● Insulate yourself from work and ground.</li> </ul>	<ul style="list-style-type: none"> <li>● Keep flammable materials away.</li> </ul>	<ul style="list-style-type: none"> <li>● Wear eye, ear and body protection.</li> </ul>
Spanish <b>AVISO DE PRECAUCION</b>	<ul style="list-style-type: none"> <li>● No toque las partes o los electrodos bajo carga con la piel o ropa mojada.</li> <li>● Aíslese del trabajo y de la tierra.</li> </ul>	<ul style="list-style-type: none"> <li>● Mantenga el material combustible fuera del área de trabajo.</li> </ul>	<ul style="list-style-type: none"> <li>● Protéjase los ojos, los oídos y el cuerpo.</li> </ul>
French <b>ATTENTION</b>	<ul style="list-style-type: none"> <li>● Ne laissez ni la peau ni des vêtements mouillés entrer en contact avec des pièces sous tension.</li> <li>● Isolez-vous du travail et de la terre.</li> </ul>	<ul style="list-style-type: none"> <li>● Gardez à l'écart de tout matériel inflammable.</li> </ul>	<ul style="list-style-type: none"> <li>● Protégez vos yeux, vos oreilles et votre corps.</li> </ul>
German <b>WARNUNG</b>	<ul style="list-style-type: none"> <li>● Berühren Sie keine stromführenden Teile oder Elektroden mit Ihrem Körper oder feuchter Kleidung!</li> <li>● Isolieren Sie sich von den Elektroden und dem Erdboden!</li> </ul>	<ul style="list-style-type: none"> <li>● Entfernen Sie brennbares Material!</li> </ul>	<ul style="list-style-type: none"> <li>● Tragen Sie Augen-, Ohren- und Körperschutz!</li> </ul>
Portuguese <b>ATENÇÃO</b>	<ul style="list-style-type: none"> <li>● Não toque partes elétricas e electrodos com a pele ou roupa molhada.</li> <li>● Isole-se da peça e terra.</li> </ul>	<ul style="list-style-type: none"> <li>● Mantenha inflamáveis bem guardados.</li> </ul>	<ul style="list-style-type: none"> <li>● Use proteção para a vista, ouvido e corpo.</li> </ul>
Japanese <b>注意事項</b>	<ul style="list-style-type: none"> <li>● 通電中の電気部品、又は溶材にヒフやぬれた布で触れないこと。</li> <li>● 施工物やアースから身体が絶縁されている様にして下さい。</li> </ul>	<ul style="list-style-type: none"> <li>● 燃えやすいものの側での溶接作業は絶対にしてはなりません。</li> </ul>	<ul style="list-style-type: none"> <li>● 目、耳及び身体に保護具をして下さい。</li> </ul>
Chinese <b>警告</b>	<ul style="list-style-type: none"> <li>● 皮肤或湿衣物切勿接触带电部件及焊条。</li> <li>● 使你自已与地面和工件绝缘。</li> </ul>	<ul style="list-style-type: none"> <li>● 把一切易燃物品移离工作场所。</li> </ul>	<ul style="list-style-type: none"> <li>● 佩戴眼、耳及身体劳动保护用具。</li> </ul>
Korean <b>위험</b>	<ul style="list-style-type: none"> <li>● 전도체나 용접봉을 젖은 형갑 또는 피부로 절대 접촉치 마십시오.</li> <li>● 모재와 접지를 접촉치 마십시오.</li> </ul>	<ul style="list-style-type: none"> <li>● 인화성 물질을 접근시키지 마십시오.</li> </ul>	<ul style="list-style-type: none"> <li>● 눈, 귀와 몸에 보호장구를 착용하십시오.</li> </ul>
Arabic <b>تحذير</b>	<ul style="list-style-type: none"> <li>● لا تلمس الاجزاء التي يسري فيها التيار الكهربائي أو الألكترود بجسدك أو بالملابس المبللة بالماء.</li> <li>● ضع عازلا على جسمك خلال العمل.</li> </ul>	<ul style="list-style-type: none"> <li>● ضع المواد القابلة للاشتعال في مكان بعيد.</li> </ul>	<ul style="list-style-type: none"> <li>● ضع أدوات وملابس واقية على عينيك وأذنيك وجسمك.</li> </ul>

**READ AND UNDERSTAND THE MANUFACTURER'S INSTRUCTION FOR THIS EQUIPMENT AND THE CONSUMABLES TO BE USED AND FOLLOW YOUR EMPLOYER'S SAFETY PRACTICES.**

**SE RECOMIENDA LEER Y ENTENDER LAS INSTRUCCIONES DEL FABRICANTE PARA EL USO DE ESTE EQUIPO Y LOS CONSUMIBLES QUE VA A UTILIZAR, SIGA LAS MEDIDAS DE SEGURIDAD DE SU SUPERVISOR.**

**LISEZ ET COMPRENEZ LES INSTRUCTIONS DU FABRICANT EN CE QUI REGARDE CET EQUIPMENT ET LES PRODUITS A ETRE EMPLOYES ET SUIVEZ LES PROCEDURES DE SECURITE DE VOTRE EMPLOYEUR.**

**LESEN SIE UND BEFOLGEN SIE DIE BETRIEBSANLEITUNG DER ANLAGE UND DEN ELEKTRODENEINSATZ DES HERSTELLERS. DIE UNFALLVERHÜTUNGSVORSCHRIFTEN DES ARBEITGEBERS SIND EBENFALLS ZU BEACHTEN.**

			
<ul style="list-style-type: none"> <li>● Keep your head out of fumes.</li> <li>● Use ventilation or exhaust to remove fumes from breathing zone.</li> </ul>	<ul style="list-style-type: none"> <li>● Turn power off before servicing.</li> </ul>	<ul style="list-style-type: none"> <li>● Do not operate with panel open or guards off.</li> </ul>	<b>WARNING</b>
<ul style="list-style-type: none"> <li>● Los humos fuera de la zona de respiración.</li> <li>● Mantenga la cabeza fuera de los humos. Utilice ventilación o aspiración para gases.</li> </ul>	<ul style="list-style-type: none"> <li>● Desconectar el cable de alimentación de poder de la máquina antes de iniciar cualquier servicio.</li> </ul>	<ul style="list-style-type: none"> <li>● No operar con panel abierto o guardas quitadas.</li> </ul>	Spanish <b>AVISO DE PRECAUCION</b>
<ul style="list-style-type: none"> <li>● Gardez la tête à l'écart des fumées.</li> <li>● Utilisez un ventilateur ou un aspirateur pour ôter les fumées des zones de travail.</li> </ul>	<ul style="list-style-type: none"> <li>● Débranchez le courant avant l'entretien.</li> </ul>	<ul style="list-style-type: none"> <li>● N'opérez pas avec les panneaux ouverts ou avec les dispositifs de protection enlevés.</li> </ul>	French <b>ATTENTION</b>
<ul style="list-style-type: none"> <li>● Vermeiden Sie das Einatmen von Schweißrauch!</li> <li>● Sorgen Sie für gute Be- und Entlüftung des Arbeitsplatzes!</li> </ul>	<ul style="list-style-type: none"> <li>● Strom vor Wartungsarbeiten abschalten! (Netzstrom völlig öffnen; Maschine anhalten!)</li> </ul>	<ul style="list-style-type: none"> <li>● Anlage nie ohne Schutzgehäuse oder Innenschutzverkleidung in Betrieb setzen!</li> </ul>	German <b>WARNUNG</b>
<ul style="list-style-type: none"> <li>● Mantenha seu rosto da fumaça.</li> <li>● Use ventilação e exaustão para remover fumo da zona respiratória.</li> </ul>	<ul style="list-style-type: none"> <li>● Não opere com as tampas removidas.</li> <li>● Desligue a corrente antes de fazer serviço.</li> <li>● Não toque as partes elétricas nuas.</li> </ul>	<ul style="list-style-type: none"> <li>● Mantenha-se afastado das partes moventes.</li> <li>● Não opere com os painéis abertos ou guardas removidas.</li> </ul>	Portuguese <b>ATENÇÃO</b>
<ul style="list-style-type: none"> <li>● ヒュームから頭を離すようにして下さい。</li> <li>● 換気や排煙に十分留意して下さい。</li> </ul>	<ul style="list-style-type: none"> <li>● メンテナンス・サービスに取りかかる際には、まず電源スイッチを必ず切して下さい。</li> </ul>	<ul style="list-style-type: none"> <li>● パネルやカバーを取り外したままで機械操作をしないで下さい。</li> </ul>	Japanese <b>注意事項</b>
<ul style="list-style-type: none"> <li>● 頭部遠離煙霧。</li> <li>● 在呼吸區使用通風或排風器除煙。</li> </ul>	<ul style="list-style-type: none"> <li>● 維修前切斷電源。</li> </ul>	<ul style="list-style-type: none"> <li>● 儀表板打開或沒有安全罩時不準作業。</li> </ul>	Chinese <b>警告</b>
<ul style="list-style-type: none"> <li>● 얼굴로부터 용접가스를 멀리하십시오.</li> <li>● 호흡지역으로부터 용접가스를 제거하기 위해 가스제거기나 통풍기를 사용하십시오.</li> </ul>	<ul style="list-style-type: none"> <li>● 보수전에 전원을 차단하십시오.</li> </ul>	<ul style="list-style-type: none"> <li>● 판넬이 열린 상태로 작동치 마십시오.</li> </ul>	Korean <b>위험</b>
<ul style="list-style-type: none"> <li>● ابعد رأسك بعيداً عن الدخان.</li> <li>● استعمل التهوية أو جهاز ضغط الدخان للخارج لكي تبعد الدخان عن المنطقة التي تتنفس فيها.</li> </ul>	<ul style="list-style-type: none"> <li>● اقطع التيار الكهربائي قبل القيام بأية صيانة.</li> </ul>	<ul style="list-style-type: none"> <li>● لا تشغيل هذا الجهاز اذا كانت الاغطية الحديدية الواقية ليست عليه.</li> </ul>	Arabic <b>تحذير</b>

**LEIA E COMPREENDA AS INSTRUÇÕES DO FABRICANTE PARA ESTE EQUIPAMENTO E AS PARTES DE USO, E SIGA AS PRÁTICAS DE SEGURANÇA DO EMPREGADOR.**

使う機械や溶材のメーカーの指示書をよく読み、まず理解して下さい。そして貴社の安全規定に従って下さい。

請詳細閱讀並理解製造廠提供的說明以及應該使用的銀焊材料，並請遵守貴方的有關勞動保護規定。

이 제품에 동봉된 작업지침서를 숙지하시고 귀사의 작업자 안전수칙을 준수하시기 바랍니다.

اقرأ بتمعن وافهم تعليمات المصنع المنتج لهذه المعدات والمواد قبل استعمالها واتبع تعليمات الوقاية لصاحب العمل.

## **POLÍTICA DE ASISTENCIA AL CLIENTE**

El negocio de The Lincoln Electric Company es fabricar y vender equipo de soldadura, corte y consumibles de alta calidad. Nuestro reto es satisfacer las necesidades de nuestros clientes y exceder sus expectativas. A veces, los compradores pueden solicitar consejo o información a Lincoln Electric sobre el uso de nuestros productos. Respondemos a nuestros clientes con base en la mejor información en nuestras manos en ese momento. Lincoln Electric no esta en posición de garantizar o certificar dicha asesoría, y no asume responsabilidad alguna con respecto a dicha información o guía. Renunciamos expresamente a cualquier garantía de cualquier tipo, incluyendo cualquier garantía de aptitud para el propósito particular de cualquier cliente con respecto a dicha información o consejo. Como un asunto de consideración práctica, tampoco podemos asumir ninguna responsabilidad por actualizar o corregir dicha información o asesoría una vez que se ha brindado, y el hecho de proporcionar datos y guía tampoco crea, amplía o altera ninguna garantía con respecto a la venta de nuestros productos.

Lincoln Electric es un fabricante receptivo pero la selección y uso de los productos específicos vendidos por Lincoln Electric está únicamente dentro del control del cliente y permanece su responsabilidad exclusiva. Muchas variables más allá del control de Lincoln Electric afectan los resultados obtenidos en aplicar estos tipos de métodos de fabricación y requerimientos de servicio.

Sujeta a Cambio – Esta información es precisa según nuestro leal saber y entender al momento de la impresión. Sírvase consultar [www.lincolnelectric.com](http://www.lincolnelectric.com) para cualquier dato actualizado.



**CENTURY EQUIPMENT**  
2345 Murphy Blvd. • Gainesville, GA 30504

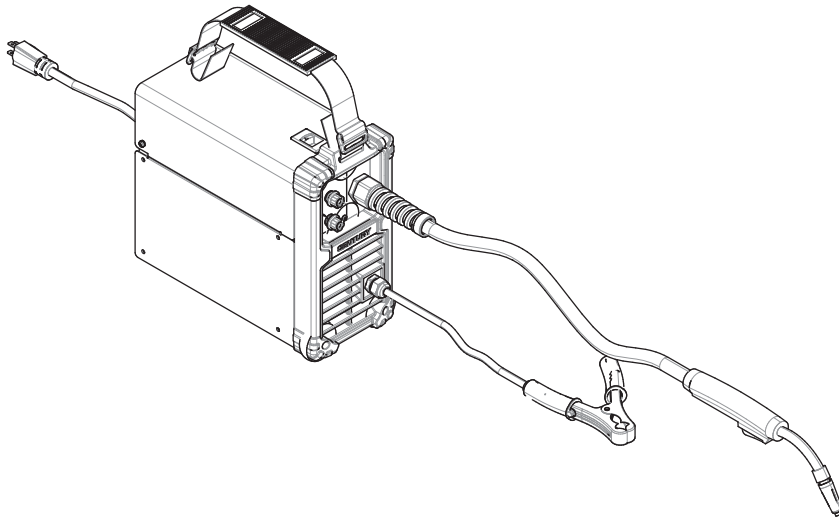




## Manuel de l'Opérateur

# FC-90

À utiliser avec les produits portant le Numéro :  
**12721**



# MERCI D'AVOIR SÉLECTIONNÉ UN PRODUIT DE QUALITÉ DE LINCOLN ELECTRIC.

## MERCI D'EXAMINER IMMÉDIATEMENT L'ÉTAT DU CARTON ET DE L'ÉQUIPEMENT

Lorsque cet équipement est expédié, la propriété passe à l'acheteur sur réception par le transporteur. En conséquence, les réclamations pour matériel endommagé dans l'expédition doit être effectuées par l'acheteur auprès de l'entreprise de transport au moment où la livraison est reçue.

## LA SÉCURITÉ REPOSE SUR VOUS

L'équipement de soudure et de coupage à l'arc de Lincoln est conçu et fabriqué dans un souci de sécurité. Toutefois, votre sécurité générale peut être augmentée par une installation appropriée... et une utilisation réfléchie de votre part. **NE PAS INSTALLER, UTILISER NI RÉPARER CET ÉQUIPEMENT SANS LIRE LE PRÉSENT MANUEL ET LES CONSIGNES DE SÉCURITÉ QUI Y SONT CONTENUES.** Et, surtout, pensez avant d'agir et soyez prudent.

### **AVERTISSEMENT**

Cette mention apparaît lorsque les informations doivent être suivies exactement afin d'éviter toute blessure grave ou mortelle.

### **ATTENTION**

Cette mention apparaît lorsque les informations doivent être suivies afin d'éviter toute blessure corporelle mineure ou d'endommager cet équipement.



## **MAINTENEZ VOTRE TÊTE À L'ÉCART DE LA FUMÉE.**

**NE PAS** trop s'approcher de l'arc.

Utiliser des verres correcteurs si nécessaire afin de rester à une distance raisonnable de l'arc.

**LIRE** et se conformer à la fiche de données de sécurité (FDS) et aux étiquettes d'avertissement qui apparaissent sur tous les récipients de matériaux de soudure.

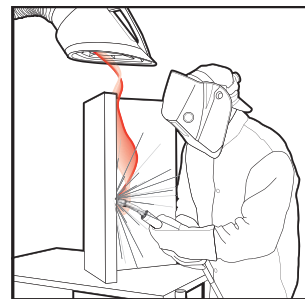
## **UTILISER UNE VENTILATION**

ou une évacuation suffisantes au niveau de l'arc, ou les deux, afin de maintenir les fumées et les gaz hors de votre zone de respiration et de la zone générale.

**DANS UNE GRANDE PIÈCE OU À L'EXTÉRIEUR**, la ventilation naturelle peut être adéquate si vous maintenez votre tête hors de la fumée (voir ci-dessous).

**UTILISER DES COURANTS D'AIR NATURELS** ou des ventilateurs pour maintenir la fumée à l'écart de votre visage.

Si vous développez des symptômes inhabituels, consultez votre superviseur. Peut-être que l'atmosphère de soudure et le système de ventilation doivent être vérifiés.



## **PORTER UNE PROTECTION CORRECTE DES YEUX, DES OREILLES ET DU CORPS**

**PROTÉGEZ** vos yeux et votre visage à l'aide d'un masque de soudeur bien ajusté avec la classe adéquate de lentille filtrante (voir ANSI Z49.1).

**PROTÉGEZ** votre corps contre les éclaboussures de soudage et les coups d'arc à l'aide de vêtements de protection incluant des vêtements en laine, un tablier et des gants ignifugés, des guêtres en cuir et des bottes.

**PROTÉGER** autrui contre les éclaboussures, les coups d'arc et l'éblouissement à l'aide de grilles ou de barrières de protection.



**DANS CERTAINES ZONES**, une protection contre le bruit peut être appropriée.

**S'ASSURER** que l'équipement de protection est en bon état.

En outre, porter des lunettes de sécurité **EN PERMANENCE.**



## **SITUATIONS PARTICULIÈRES**

**NE PAS SOUDER NI COUPER** des récipients ou des matériels qui ont été précédemment en contact avec des matières dangereuses à moins qu'ils n'aient été adéquatement nettoyés. Ceci est extrêmement dangereux.

**NE PAS SOUDER NI COUPER** des pièces peintes ou plaquées à moins que des précautions de ventilation particulières n'aient été prises. Elles risquent de libérer des fumées ou des gaz fortement toxiques.

## **Mesures de précaution supplémentaires**

**PROTÉGER** les bouteilles de gaz comprimé contre une chaleur excessive, des chocs mécaniques et des arcs ; fixer les bouteilles pour qu'elles tombent pas.

**S'ASSURER** que les bouteilles ne sont jamais mises à la terre ou une partie d'un circuit électrique.

**DÉGAGER** tous les risques d'incendie potentiels hors de la zone de soudage.

**TOUJOURS DISPOSER D'UN ÉQUIPEMENT DE LUTTE CONTRE L'INCENDIE PRÊT POUR UNE UTILISATION IMMÉDIATE ET SAVOIR COMMENT L'UTILISER.**



## SECTION A : AVERTISSEMENTS



### AVERTISSEMENTS DE LA PROPOSITION 65 DE CALIFORNIE

#### Moteurs diesel

L'échappement des moteurs diesel et certains de ses composants sont connus par l'État de Californie pour causer le cancer, des malformations congénitales et d'autres problèmes reproductifs.

#### Moteur à essence

L'échappement du moteur de ce produit contient des produits chimiques connus par l'État de Californie pour causer le cancer, des malformations congénitales et d'autres problèmes reproductifs.

**LE SOUDAGE À L'ARC PEUT ÊTRE DANGEREUX. PROTÉGEZ-VOUS AINSI QUE LES AUTRES CONTRE DE POSSIBLES BLESSURES GRAVES OU MORTELLES. NE PAS LAISSER LES ENFANTS S'APPROCHER. LES PORTEURS DE SIMULATEUR CARDIAQUE DOIVENT CONSULTER LEUR MÉDECIN AVANT DE PROCÉDER.**

Lire et assimiler les points de sécurité suivants. Pour des informations de sécurité supplémentaires, il est fortement recommandé que vous achetiez une copie de « Sécurité pour le soudage et le coupage - norme ANSI Z49.1 » auprès de l'American Welding Society (Société Américaine de Soudage), P.O. Box 351040, Miami, Floride 33135 ou la norme CSA W117.2-1974. Une copie gratuite de la notice explicative « Arc Welding Safety » (sécurité de la soudure à l'arc) E205 est disponible auprès de la Lincoln Electric Company, 22801 St. Clair Avenue, Cleveland, Ohio 44117-1199.

**S'ASSURER QUE TOUTES LES PROCÉDURES D'INSTALLATION, D'UTILISATION, DE MAINTENANCE ET DE RÉPARATION SONT SUIVIES UNIQUEMENT PAR DES INDIVIDUS QUALIFIÉS.**



### POUR L'ÉQUIPEMENT MOTORISÉ.

- 1.a. Couper le moteur avant tout dépannage ou travail de maintenance à moins que ces derniers nécessitent que le moteur tourne.
- 1.b. Faire fonctionner les moteurs dans des zones ouvertes, bien ventilées ou évacuer les fumées d'échappement à l'extérieur.
- 1.c. Ne pas ajouter du carburant à proximité de la flamme nue d'un arc de soudage ou lorsque le moteur tourne. Stopper le moteur et le laisser refroidir avant de refaire le plein afin d'empêcher le carburant renversé de se vaporiser au contact de pièces de moteur chaudes et de prendre feu. Ne pas renverser de carburant lors du remplissage du réservoir. Si du carburant est répandu, l'essuyer et ne pas démarrer le moteur avant que les fumées n'aient été éliminées.



- 1.d. Maintenir toutes les barrières, les couvercles et les dispositifs de sécurité en position et en bon état. Maintenir les mains, les cheveux, les vêtements et les outils à l'écart des courroies en V, de la pignonnerie et de toutes les autres pièces mobiles lors du démarrage, de l'utilisation ou de la réparation de l'équipement.



- 1.e. Dans certains cas il peut être nécessaire de retirer des barrières de sécurité pour effectuer une maintenance requise. Retirer des barrières uniquement lorsque nécessaire et les replacer lorsque la maintenance nécessitant leur enlèvement est terminée. Toujours utiliser la plus grande prudence lors d'un travail à proximité de pièces mobiles.

- 1.f. Ne pas placer les mains près du ventilateur du moteur. Ne pas tenter d'outrepasser le régulateur ou la poulie folle en poussant sur les tiges de commande du papillon des gaz pendant que le moteur tourne.

- 1.g. Afin d'éviter de démarrer accidentellement les moteurs à essence en tournant le moteur ou la génératrice de soudage durant un travail de maintenance, débrancher les fils de bougie, la tête d'allumeur ou le fil de bobinage le cas échéant.

- 1.h. Pour éviter un ébouillantage, ne pas retirer le bouchon de radiateur lorsque le moteur est chaud.



### LES CHAMPS ÉLECTRIQUES ET MAGNÉTIQUES PEUVENT ÊTRE DANGEREUX.



- 2.a. Le courant électrique passant à travers un conducteur quelconque produit des champs électromagnétiques (CEM). Le courant de soudage crée des champs CEM autour des câbles de soudure et des postes de soudage.
- 2.b. Les champs CEM peuvent interférer avec certains simulateurs cardiaques, et les soudeurs porteurs d'un simulateur cardiaque doivent consulter leur médecin avant de souder.
- 2.c. L'exposition aux champs CEM dans le soudage peut avoir d'autres effets sur la santé qui ne sont actuellement pas connus.
- 2.d. Tous les soudeurs doivent suivre les procédures suivantes afin de minimiser l'exposition aux champs CEM du circuit de soudage :
  - 2.d.1. Acheminer ensemble les câbles de l'électrode et de retour - les fixer avec du ruban lorsque possible.
  - 2.d.2. Ne jamais enrouler le câble de l'électrode autour de votre corps.
  - 2.d.3. Ne placez pas votre corps entre les câbles de l'électrode et de retour. Si le câble de l'électrode se trouve sur votre droite, le câble de retour doit également se trouver sur votre droite.
  - 2.d.4. Connecter le câble de retour sur la pièce à souder aussi près que possible de la zone en cours de soudure.
  - 2.d.5. Ne pas travailler à proximité de la source d'alimentation de soudage.



## UNE DÉCHARGE ÉLECTRIQUE PEUT TUER.



- 3.a. Les circuits d'électrode et de retour (ou de terre) sont électriquement « chauds » lorsque la machine à souder est en marche. Ne pas toucher ces pièces « chaudes » à même la peau ou avec des vêtements humides. Porter des gants secs, non troués pour isoler les mains.
- 3.b. Isolez-vous de la pièce et du sol en utilisant un isolant sec. S'assurer que l'isolation est suffisamment grande pour couvrir votre zone complète de contact physique avec la pièce et le sol.

**En sus des précautions de sécurité normales, si le soudage doit être effectué dans des conditions électriquement dangereuses (dans des emplacements humides, ou en portant des vêtements mouillés ; sur des structures en métal telles que des sols, des grilles ou des échafaudages ; dans des postures inconfortables telles que assis, agenouillé ou allongé, s'il existe un risque élevé de contact inévitable ou accidentel avec la pièce à souder ou le sol), utiliser l'équipement suivant :**

- Machine à souder (électrique par fil) à tension constante CC semi-automatique.
  - Machine à souder (à tige) manuelle CC.
  - Machine à souder CA avec commande de tension réduite.
- 3.c. Dans le soudage électrique par fil semi-automatique ou automatique, l'électrode, la bobine de l'électrode, la tête de soudage, la buse ou le pistolet de soudage semi-automatique sont également électriquement « chauds ».
  - 3.d. Toujours s'assurer que le câble de retour établit une bonne connexion électrique avec le métal en cours de soudage. La connexion doit se trouver aussi près que possible de la zone en cours de soudage.
  - 3.e. Relier à la terre la pièce ou le métal à souder sur une bonne masse (terre) électrique.
  - 3.f. Maintenir le support d'électrode, la bride de serrage de la pièce, le câble de soudure et le poste de soudage en bon état, sans danger et opérationnels. Remplacer l'isolant endommagé.
  - 3.g. Ne jamais plonger l'électrode dans de l'eau pour le refroidir.
  - 3.h. Ne jamais toucher simultanément les pièces électriquement « chaudes » des supports d'électrode connectés à deux postes de soudure parce que la tension entre les deux peut être le total de la tension à circuit ouvert des deux postes de soudure.
  - 3.i. Lorsque vous travaillez au dessus du niveau du sol, utilisez une ceinture de travail afin de vous protéger d'une chute au cas où vous recevriez une décharge.
  - 3.j. Voir également les points 6.c. et 8.



## LES RAYONS DE L'ARC PEUVENT BRÛLER



- 4.a. Utiliser un masque avec le filtre et les protège-lentilles appropriés pour protéger vos yeux contre les étincelles et les rayons de l'arc lors d'un soudage ou en observant un soudage à l'arc visible. L'écran et la lentille du filtre doivent être conformes à la norme ANSI Z87.1 Normes.
- 4.b. Utiliser des vêtements adaptés fabriqués avec des matériaux résistants à la flamme afin de protéger votre peau et celle de vos aides contre les rayons d'arc électrique.
- 4.c. Protéger les autres personnels à proximité avec un blindage ignifugé, adapté et/ou les avertir de ne pas regarder ni de s'exposer aux rayons d'arc électrique ou à des éclaboussures chaudes de métal.



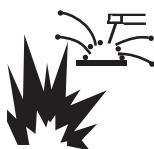
## LES FUMÉES ET LES GAZ PEUVENT ÊTRE DANGEREUX.



- 5.a. Le soudage peut produire des fumées et des gaz dangereux pour la santé. Éviter d'inhaler ces fumées et ces gaz. Lors du soudage, maintenir votre tête hors de la fumée. Utiliser une ventilation et/ou une évacuation suffisantes au niveau de l'arc afin de maintenir les fumées et les gaz hors de la zone de respiration. **Lors d'un soudage par rechargement dur (voir les instructions sur le récipient ou la FDS) ou sur de l'acier plaqué de plomb ou cadmié ou des enrobages qui produisent des fumées fortement toxiques, maintenir l'exposition aussi basse que possible et dans les limites OSHA PEL et ACGIH TLV en vigueur en utilisant une ventilation mécanique ou une évacuation locale à moins que les évaluations de l'exposition n'en indiquent autrement. Dans des espaces confinés ou lors de certaines circonstances, à l'extérieur, un appareil respiratoire peut également être requis. Des précautions supplémentaires sont également requises lors du soudage sur de l'acier galvanisé.**
- 5.b. Le fonctionnement de l'équipement de contrôle de la fumée de soudage est affecté par différents facteurs incluant une utilisation et un positionnement appropriés de l'équipement, la maintenance de l'équipement ainsi que la procédure de soudage spécifique et l'application impliquées. Le niveau d'exposition des opérateurs doit être vérifié lors de l'installation puis périodiquement par la suite afin d'être certain qu'il se trouve dans les limites OSHA PEL et ACGIH TLV en vigueur.
- 5.c. Ne pas souder dans des emplacements à proximité de vapeurs d'hydrocarbure chloré provenant d'opérations de dégraissage, de nettoyage ou de vaporisation. La chaleur et les rayons de l'arc peuvent réagir avec des vapeurs de solvant pour former du phosgène, un gaz hautement toxique, ainsi que d'autres produits irritants.
- 5.d. Les gaz de protection utilisés pour le soudage à l'arc peuvent déplacer l'air et causer des blessures ou la mort. Toujours utiliser suffisamment de ventilation, particulièrement dans des zones confinées, pour assurer que l'air ambiant est sans danger.
- 5.e. Lire et assimiler les instructions du fabricant pour cet équipement et les consommables à utiliser, incluant la fiche de données de sécurité (FDS), et suivre les pratiques de sécurité de votre employeur. Des formulaires de FDS sont disponibles auprès de votre distributeur de soudure ou auprès du fabricant.
- 5.f. Voir également le point 1.b.




## LE SOUDAGE ET LES ÉTINCELLES DE COUPAGE PEUVENT CAUSER UN INCENDIE OU UNE EXPLOSION.



- 6.a. Éliminer les risques d'incendie de la zone de soudage. Si ce n'est pas possible, les couvrir pour empêcher les étincelles de soudage d'allumer un incendie. Ne pas oublier que les étincelles de soudage et les matériaux brûlants du soudage peuvent facilement passer à travers de petites craquelures et ouvertures vers des zones adjacentes. Éviter de souder à proximité de conduites hydrauliques. Disposer d'un extincteur à portée de main.
- 6.b. Lorsque des gaz comprimés doivent être utilisés sur le site de travail, des précautions particulières doivent être prises afin d'éviter des situations dangereuses. Se référer à « Sécurité pour le soudage et le coupage » (norme ANSI Z49.1) ainsi qu'aux informations de fonctionnement de l'équipement utilisé.
- 6.c. Lorsque vous ne soudez pas, assurez-vous qu'aucune partie du circuit d'électrode touche la pièce ou le sol. Un contact accidentel peut causer une surchauffe et créer un risque d'incendie.
- 6.d. Ne pas chauffer, couper ou souder des réservoirs, des fûts ou des récipients avant que les étapes appropriées n'aient été engagées afin d'assurer que de telles procédures ne produiront pas des vapeurs inflammable ou toxiques provenant de substances à l'intérieur. Elles peuvent causer une explosion même si elles ont été « nettoyées ». Pour information, acheter « Recommended Safe Practices for the Preparation for Welding and Cutting of Containers and Piping That Have Held Hazardous Substances » (Mesures de sécurité pour la préparation du soudage et du coupage de récipients et de canalisations qui ont retenu des matières dangereuses), AWS F4.1 auprès de l'American Welding Society (Société Américaine de Soudage) (voir l'adresse ci-dessus).
- 6.e. Ventiler les produits moulés creux ou les récipients avant de chauffer, de couper ou de souder. Ils risquent d'exploser.
- 6.f. Des étincelles et des éclaboussures sont projetées de l'arc de soudage. Porter des vêtements de protection sans huile tels que des gants en cuir, une chemise épaisse, un pantalon sans revers, des chaussures montantes ainsi qu'un casque au dessus de vos cheveux. Porter des protège-tympons lors d'un soudage hors position ou dans des emplacements confinés. Dans une zone de soudage, porter en permanence des lunettes de sécurité avec des écrans latéraux de protection.
- 6.g. Connecter le câble de retour sur la pièce aussi près que possible de la zone de soudure. Les câbles de retour connectés à la structure du bâtiments ou à d'autres emplacements éloignées de la zone de soudage augmentent le risque que le courant de soudage passe à travers les chaînes de levage, les câbles de grue ou d'autres circuits alternatifs. Ceci peut créer des risques d'incendie ou de surchauffe des chaînes ou câbles de levage jusqu'à leur défaillance.
- 6.h. Voir également le point 1.c.
- 6.i. Lire et se conformer à la norme NFPA 51B, « Standard for Fire Prevention During Welding, Cutting and Other Hot Work » (Norme de prévention contre l'incendie durant le soudage, le coupage et d'autres travaux à chaud), disponible auprès de la NFPA, 1 Batterymarch Park, PO box 9101, Quincy, MA 022690-9101.
- 6.j. Ne pas utiliser une source d'alimentation de soudage pour le dégel des canalisations.



## LA BOUTEILLE PEUT EXPLOSER SI ELLE EST ENDOMMAGÉE

- 7.a. Utiliser uniquement des bouteilles de gaz comprimé contenant le gaz de protection correct pour le processus utilisé ainsi que des régulateurs fonctionnant correctement conçus pour le gaz et la pression utilisés. Tous les tuyaux, raccords, etc. doivent être adaptés à l'application et maintenus en bon état. 
- 7.b. Toujours maintenir les bouteilles en position verticale, solidement attachées à un châssis ou à un support fixe.
- 7.c. Les bouteilles doivent se trouver :
  - À l'écart des zones où elles risquent d'être heurtées ou exposées à des dommages matériels.
  - À distance de sécurité d'opérations de soudage ou de coupage à l'arc et de toute source de chaleur, d'étincelles ou de flammes.
- 7.d. Ne jamais laisser l'électrode, le support de l'électrode ou de quelconques pièces électriquement « chaudes » toucher une bouteille.
- 7.e. Maintenir votre tête et votre visage à l'écart de la sortie du robinet de la bouteille lors de l'ouverture de ce dernier.
- 7.f. Les capuchons de protection de robinet doivent toujours être en place et serrés à la main sauf quand la bouteille est en cours d'utilisation ou connectée pour être utilisée.
- 7.g. Lire et suivre les instructions sur les bouteilles de gaz comprimé, l'équipement associé, et la publication CGA P-1, « Precautions for Safe Handling of Compressed Gases in Cylinders » (précautions pour la manipulation sécurisée d'air comprimé en bouteilles) disponible auprès de la Compressed Gas Association (association des gaz comprimés), 14501 George Carter Way Chantilly, VA 20151.



## POUR L'ÉQUIPEMENT ÉLECTRIQUE



- 8.a. Couper l'alimentation d'entrée en utilisant le sectionneur au niveau de la boîte de fusibles avant de travailler sur l'équipement.
- 8.b. Installer l'équipement conformément au U.S. National Electrical Code, à tous les codes locaux et aux recommandations du fabricant.
- 8.c. Relier à la terre l'équipement conformément au U.S. National Electrical Code et aux recommandations du fabricant.

**Se référer  
à <http://www.lincolnelectric.com/safety>  
pour d'avantage d'informations sur  
la sécurité.**

---

## TABLE DES MATIÈRES

<b>Installation</b> .....	<b>3</b>
Spécifications Techniques.....	3
Fonctionnalités Premium.....	3
Choix d'un Emplacement Approprié.....	4
Meulage .....	4
Empilage .....	4
Transport - Déchargement .....	4
Inclinaison .....	4
Indice Environnemental .....	4
Branchement de l'Alimentation d'Entrée .....	5
Chargement et Enfilage du Fil.....	6
<b>Fonctionnement</b> .....	<b>8</b>
Fonctionnement de la Machine .....	8
Liste des Pièces de Rechange.....	9
<b>Entretien</b> .....	<b>10</b>
Entretien de Routine et Périodique .....	10
<b>Dépannage</b> .....	<b>10</b>
Comment Utiliser le Guide de Dépannage.....	10

# INSTALLATION

## SPÉCIFICATIONS TECHNIQUES - K3493-1 - FC-90

<b>REGISTRE COURANT DE SORTIE</b>
30-90 A
<b>TENSION DE CIRCUIT OUVERT</b>
19V (RMS)
<b>INTENSITÉ DE SORTIE</b>
80A
<b>CIRCUIT D'ENTRÉE</b>
120VAC
<b>FACTEUR DE MARCHE</b>
30%@80A

<b>VITESSE DE DÉVIDAGE DU FIL</b>
0 - 120 IPM
<b>DIAMÈTRE DE FIL APPROPRIÉ</b>
0 030", 0,035"
<b>MASSE GLOBALE</b>
15LBS (7KG)
<b>IPS RATING</b>
IP21S

## LES FONCTIONNALITÉS PREMIUM COMPRENENT :

1. Source d'alimentation onduleur - plus efficace à faire fonctionner et fournissant des caractéristiques de soudage plus uniformes que les soudeuses traditionnelles.
2. Tension de soudage infinie pour permettre un ajustement précis des caractéristiques de soudage.
3. Facteur de Marche de 30% à 80 Amps.
4. Légère et portable - idéale pour la maintenance et les soudeurs mobiles.

## PROTECTION THERMIQUE

La machine a un facteur de marche de sortie de 30% maximum. Si le facteur de marche est dépassé, un protecteur thermique coupe la sortie jusqu'à ce que la machine ait refroidi à une température de fonctionnement normale. Il s'agit là d'une fonction automatique de la machine qui ne requiert pas l'intervention de l'utilisateur.

## ACCESSOIRES REQUIS

- Casque
- Veste
- Gants

Lire cette section d'installation dans sa totalité avant de commencer l'installation.

### Mesures de Sécurité

Ne pas essayer d'utiliser cet appareil avant d'avoir lu dans leur totalité les informations concernant l'installation, le fonctionnement et l'entretien fournies avec l'appareil. Elles comprennent d'importantes mesures de sécurité et des instructions de fonctionnement et d'entretien détaillées.

#### AVERTISSEMENT

#### LES CHOCS ÉLECTRIQUES peuvent être mortels.

- Seul le personnel qualifié est autorisé à réaliser cette installation.
- Ne pas toucher les pièces sous alimentation électrique.
- Toujours brancher la machine sur un réseau mis à la terre.



#### CHOIX D'UN EMPLACEMENT APPROPRIÉ

Placer la soudeuse dans un endroit où de l'air propre et rafraîchissant peut circuler librement vers l'intérieur et vers l'extérieur par les événements avant et arrière. La saleté, la poussière et tout corps étranger pouvant être attirés dans la soudeuse à travers les événements doivent être réduits au minimum. Si ces précautions ne sont pas prises, il peut en résulter des températures de fonctionnement excessives pouvant mener à une défaillance de l'usine.

#### MEULAGE

Ne pas diriger les particules vers la soudeuse. Une abondance de matériaux conducteurs peut provoquer une défaillance de l'usine.

#### EMPILAGE

Cette machine ne peut pas être empilée.

#### TRANSPORT - DÉCHARGEMENT

Ne jamais sous-estimer le poids d'un appareil, ne jamais le déplacer lorsqu'il est suspendu en l'air au-dessus des gens ni le laisser suspendu.

#### AVERTISSEMENT

La Chute d'Appareils peut causer des blessures. Ne jamais soulever la soudeuse si une bouteille de gaz y est fixée. Ne jamais soulever au-dessus des personnes.



#### INCLINAISON

La machine doit être placée sur une surface plane et sûre.

#### INDICE ENVIRONNEMENTAL

La source de puissance de soudage a un indice IP21S. Elle peut être utilisée dans des environnements industriels et commerciaux normaux. Éviter de l'utiliser dans des endroits entourés d'eau / de pluie.

Lire et appliquer les "Avertissements concernant les Chocs Électriques" dans la section de sécurité si le soudage doit être réalisé dans des conditions électriques dangereuses, telles que dans des endroits humides ou en présence d'eau sur la pièce à souder.

#### AVERTISSEMENT

#### LES CHOCS ÉLECTRIQUES peuvent être mortels.

- Cette soudeuse doit être raccordée à la terre.



#### ATTENTION

Le générateur de haute fréquence ressemblant à un émetteur radio, il peut causer des interférences aux postes de radio, télévision et autres appareils électroniques.



- Ces problèmes peuvent provenir d'interférences irradiées. Des méthodes de mise à la terre appropriées peuvent les diminuer ou les éliminer.

Les interférences irradiées peuvent se développer des manières suivantes

1. Interférence directe de la source d'alimentation de la soudeuse.
2. Interférence directe des fils de soudage.
3. Interférence directe irradiée par une réaction d'intensité dans les lignes d'alimentation.
4. Interférence de réflexion par des objets métalliques non mis à la terre.

Les problèmes peuvent être réduits au minimum si l'on garde en tête ces facteurs de contributions et si on installe l'appareil conformément aux instructions suivantes.

1. Maintenir les lignes d'alimentation d'entrée de la soudeuse aussi courtes que possible et en envelopper le plus possible dans des conduits métalliques ou dans un blindage équivalent. Il doit y avoir un bon contact électrique entre ce conduit et la masse (Terre).
2. Maintenir les fils de travail et d'électrode aussi courts que possible. Envelopper les fils ensemble avec du ruban adhésif lorsque cela est possible.
3. Vérifier que les recouvrements en caoutchouc des fils de terre et de la torche ne présentent ni coupures ni craquelures qui pourraient laisser passer des fuites de puissance de soudage.
4. Maintenir le branchement du fil de terre sur la pièce à souder en bon état. Nettoyer la zone sur le banc de travail, là où se trouve habituellement la prise de masse.



## BRANCHEMENT DE L'ALIMENTATION D'ENTRÉE

La machine a un branchement d'entrée, le câble d'alimentation d'entrée. Le câble d'alimentation d'entrée se trouve sur l'arrière.

La FC-90 est équipée d'un câble de 120 V de 6,0 ft. (1,8 m) de long, avec une fiche 5-15P de 15 Amp moulée sur le cordon.

La sortie nominale de la FC-90 est disponible lorsqu'elle est branchée sur un circuit de dérivation de 20 A. Lorsqu'elle est branchée sur un circuit de dérivation ayant une capacité inférieure, il faut utiliser un courant de soudage et un facteur de marche plus faibles.

## EXIGENCES DES CODES ÉLECTRIQUES POUR LES BRANCHEMENTS ÉLECTRIQUES D'ENTRÉE

### AVERTISSEMENT

Cette soudeuse doit être branchée sur une source d'alimentation conformément aux codes électriques applicables.

Le Code Électrique National fournit les normes pour la capacité de maniement de l'intensité des fils d'alimentation sur la base du facteur de marche de la source de soudage.

En cas de doute sur la conformité de l'installation avec les exigences du code électrique applicable, consulter un électricien qualifié.

### AVERTISSEMENT

Ne pas brancher la machine sur une alimentation d'entrée avec une tension nominale supérieure à 125 volts.

Ne pas retirer la broche de terre du cordon d'alimentation.

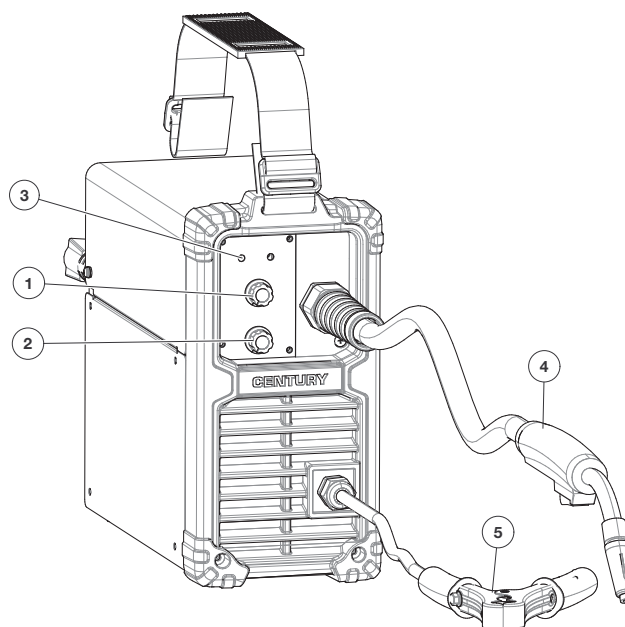
## UTILISATION DE LA RALLONGE

Si une rallonge est nécessaire, en utiliser une qui soit appropriée pour l'application et qui soit une AWG No.14 (2,1 mm<sup>2</sup>) à 3 conducteurs ou plus grande. Les longueurs maximales recommandées sont de 25 ft. (7,5 m) avec une rallonge AWG No.14 (2,1 mm<sup>2</sup>), et de 50 ft. (15 m) avec une rallonge AWG No.12 (3,3 mm<sup>2</sup>).

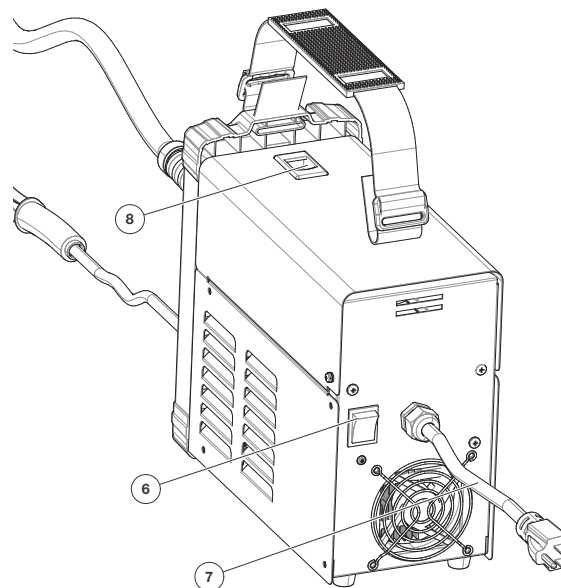
## SOUDAGE AVEC ÉLECTRODE FOURRÉE (INNERSHIELD)

L'électrode recommandée pour le procédé de soudage auto-blindé avec électrode fourrée est la Lincoln Innershield NR-211-MP de 0,035" (0,9 mm) de diamètre sur bobines de 1 lb (0,5 kg).

FIGURE 1



1. Ajustement de la Tension
2. Ajustement de la Vitesse de Dévidage du Fil
3. Lampes Témoins de Puissance et de protection
4. Torche pour Soudage avec Électrode Fourrée sans Gaz
5. Pince de Soudage



6. Interrupteur de Mise sous Tension
7. Câble d'Alimentation d'Entrée
8. Verrou du Couvercle de la Bobine

## CHARGEMENT ET ENFILAGE DU FIL

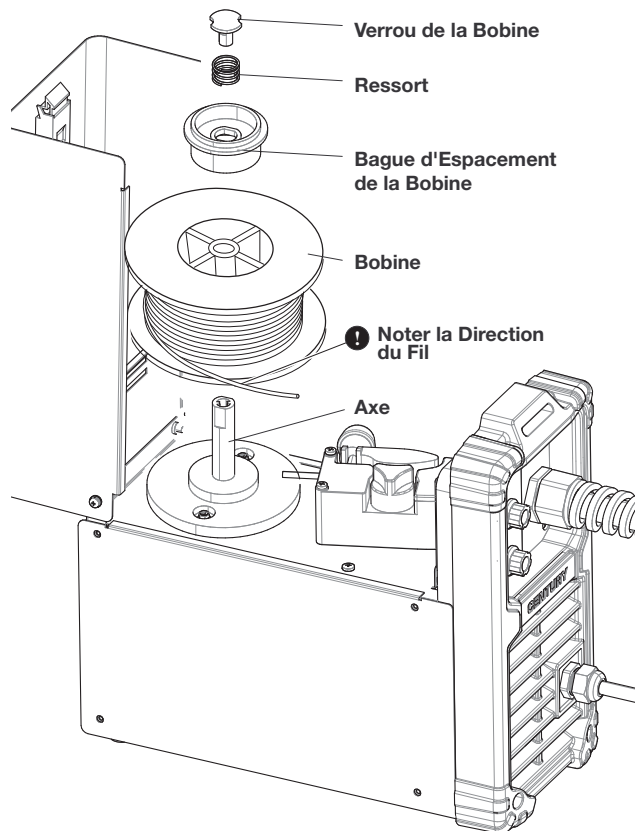
Se reporter à la Figure 2.

Placer l'interrupteur de mise sous tension de la machine sur la position ARRÊT ("0") avant de travailler à l'intérieur de l'enceinte de dévidage.

S'assurer que le rouleau conducteur de dévidage du fil et la pointe de contact du pistolet correspondent au diamètre et au type de fil utilisé.

1. Pousser la bobine sur l'axe de sorte que le fil se dévide par le bas de la bobine, vers le rouleau conducteur.
2. Pousser la bague d'espacement de la bobine sur l'axe, contre la bobine.
3. Faire glisser le ressort sur la bobine, puis appuyer sur le verrou de la bobine, en le faisant tourner dans le sens des aiguilles d'une montre afin de bloquer l'ensemble de la bobine sur l'axe.

FIGURE 2

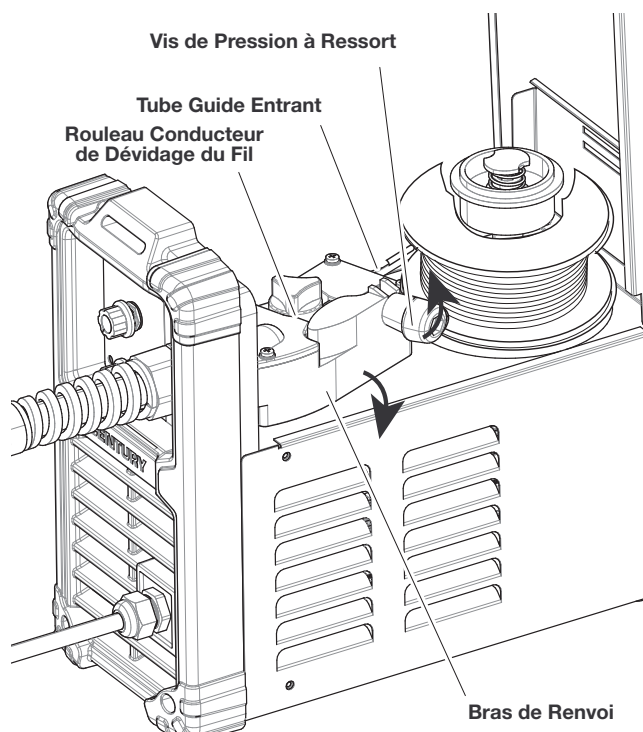


## DÉTAILS SUR L'ENFILAGE DU FIL

Se reporter à la Figure 3.

4. Libérer la vis de réglage à ressort et faire tourner le bras du cylindre d'appui en l'éloignant du rouleau conducteur de dévidage du fil. Vérifier que la taille visiblement gravée sur le côté du rouleau conducteur qui est face au soudeur corresponde à la taille de fil utilisée.
5. Détacher prudemment l'extrémité du fil de la bobine. Maintenir une tension sur le fil pour empêcher la bobine de se dérouler et ne pas relâcher le fil jusqu'après l'étape 5.
6. Couper la partie pliée du fil et redresser les 4 premiers pouces (100 mm).
7. Enfiler le fil dans le guide-fil entrant, par-dessus le rouleau conducteur et dans la bande de remplissage du pistolet.
8. Fermer le bras du cylindre d'appui et tourner la vis de pression vers le bas jusqu'à ce que le galet libre appuie fermement sur le fil. (Le fil de soudage peut maintenant être relâché). S'assurer que le fil soit positionné dans la rainure du rouleau conducteur inférieur.
9. La vis de réglage à ressort du bras du cylindre d'appui ajuste la pression sur le fil. Ajuster la pression en tournant la vis de pression de sorte à empêcher l'inertie de la bobine, tout en permettant un dévidage de fil régulier et facile. Commencer avec la pression réglée sur une valeur intermédiaire. Réajuster, si besoin. Si le rouleau conducteur glisse pendant le dévidage du fil, il faut augmenter la pression jusqu'à ce que le fil se dévide correctement.

FIGURE 3

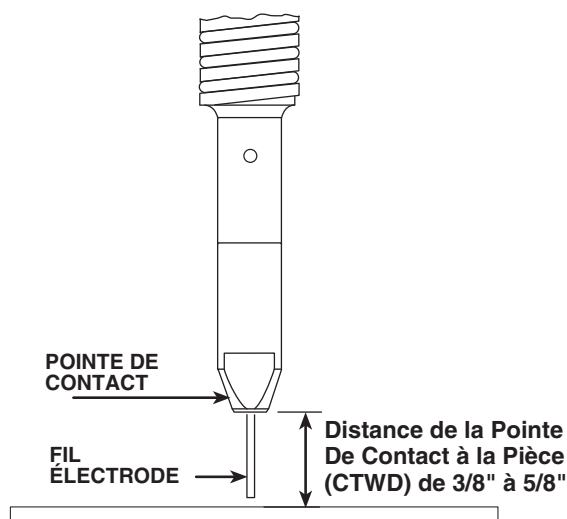


## AVERTISSEMENT

Lorsqu'on dévide le fil de soudage à travers le pistolet, le rouleau conducteur, le bloc connecteur du pistolet et la pointe de contact du pistolet sont toujours sous tension par rapport à la pièce et à la masse.

**DÉPASSEMENT DU FIL**

10. Retirer la pointe de contact et la buse du pistolet.
11. Mettre la machine en MARCHE ("I").
12. Redresser l'ensemble du câble du pistolet.
13. Appuyer sur l'interrupteur de la gâchette du pistolet et dévider le fil à souder à travers le pistolet et le câble. (Diriger le pistolet ailleurs que vers soi-même et les autres pour dévider du fil). Relâcher la gâchette du pistolet une fois que le fil apparaît au bout du pistolet.
14. Éteindre la machine.
15. Remettre la buse et la pointe de contact en place. Se reporter à la Figure B-4. Couper le fil de sorte que de 3/8" à 5/8" (10-15 mm) sortent par l'extrémité de la pointe.
16. Allumer la machine. La machine est maintenant prête à souder.

**FIGURE 4**

# FONCTIONNEMENT

Lire cette section dans sa totalité avant d'utiliser la CrossLinc Remote.

## Mesures de Sécurité

Ne pas essayer d'utiliser cet appareil avant d'avoir lu dans leur totalité les manuels de fonctionnement et d'entretien fournis avec l'appareil et de toute soudeuse avec laquelle il pourra être utilisé. Ils comprennent d'importantes mesures de sécurité, des instructions de fonctionnement et d'entretien détaillées et des listes de pièces de rechange.

### AVERTISSEMENT

**LES CHOCS ÉLECTRIQUES** peuvent être mortels.

- Ne pas toucher les pièces sous alimentation électrique telles que les terminales de sortie ou le câblage interne.
- S'isoler du travail et du sol.
- Toujours porter des gants isolants secs.



**LES ÉTINCELLES DE SOUDAGE** peuvent provoquer des incendies ou des explosions.

- Tenir les matériaux inflammables éloignés.
- Ne pas souder sur des récipients ayant contenu du combustible.



**LES RAYONS DES ARCS** peuvent causer des brûlures.

- Porter des protections oculaires, auditives et corporelles.



**LES VAPEURS ET LES GAZ** peuvent être dangereux.

Même si l'élimination des particules de la fumée de soudage peut réduire les exigences en matière de ventilation, les concentrations des vapeurs et gaz clairs évacués peuvent encore représenter un danger pour la santé. Éviter de respirer les concentrations de ces vapeurs et gaz. Utiliser une ventilation appropriée pour souder. Voir la norme ANSI Z49.1, "Sécurité en Matière de Soudage et de Coupage", publiée par la Société Américaine de Soudage.

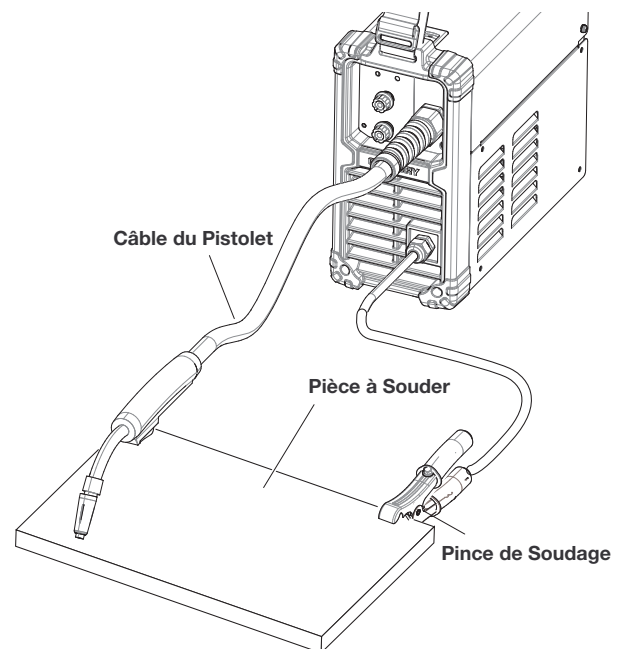


## FONCTIONNEMENT DE LA MACHINE

Une fois la machine installée conformément aux instructions, se reporter au Tableau B.1 et à l'Étiquette de Procédure située à l'intérieur de la porte du compartiment du galet d'entraînement de la machine pour obtenir des informations concernant l'installation, le matériel consommable et des astuces rapides pour le soudage.

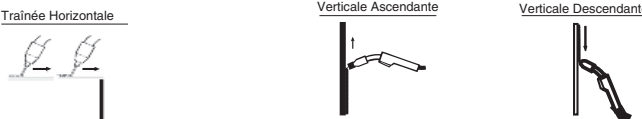
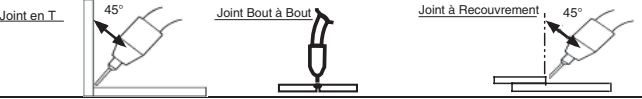
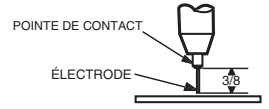
1. Sélectionner la tension de soudage (puissance) sur le panneau avant, en fonction de l'épaisseur du matériau de la pièce à souder.
2. Sélectionner la vitesse de dévidage du fil requise sur le bouton "vitesse du fil".
3. Veiller à porter des vêtements et des protections de sécurité appropriés au soudage (c'est-à-dire un masque, des gants, un tablier, etc.)

FIGURE 5



4. Raccorder la pince de soudage sur le métal à souder. La pince de soudage doit établir un bon contact électrique avec la pièce à souder. Celle dernière doit également être raccordée à la terre, comme l'indiquent les Mesures de Sécurité en matière de Soudage à l'Arc au début de ce manuel.
5. Sur la base du type de joint de soudure et de son orientation, placer le pistolet dans le joint en respectant l'angle correct.
6. Pour commencer à souder, placer le masque ou abaisser votre casque devant le visage pour se protéger les yeux et tirer sur la gâchette.
7. Pendant le soudage, se déplacer à une vitesse constante et maintenir un dépassement d'électrode de 3/8".
8. Pour cesser de souder, relâcher la gâchette du pistolet.
9. Lorsqu'il n'y a plus de soudage à effectuer, éteindre la machine.

TABLEAU B.1

FCAW - Sans Gaz (Électrode Fourrée)			
Fil à Souder	Lincoln NR-211-MP de 0,035 (Fil Fourré Innershield)		
Pointe de Contact	Lincoln de 0,035 (0,9 mm) - Pièce No. KH712		
Rouleau Conducteur	Rainure Moletée de 0,9 mm - Lincoln Pièce No. KP4364-035		
Chargement du Fil	<p>Rappel : retirer la pointe de contact avant de charger le fil. Maintenir la tension sur le fil pour éviter qu'il ne se débobine.</p> <ol style="list-style-type: none"> <li>Couper la partie courbée du fil et redresser les 4 premiers pouces pour alimenter les rouleaux et le pistolet.</li> <li>Libérer le bras de pression à ressort et faire tourner le Bras du Cylindre d'Appui pour l'éloigner du Rouleau Conducteur.</li> <li>Enfiler le fil dans le tube-guide, par-dessus le rouleau conducteur et dans la bande de remplissage du pistolet. Fermer le Bras du Cylindre d'Appui.</li> </ol>		
Tension de Dévidage du Fil	Les Réglages de Vitesse de Dévidage de Fil suggérés dans le tableau ci-dessous se basent sur un réglage moyen de tension de fil. La tension peut être modifiée si nécessaire pour améliorer le dévidage du fil; cependant, le réglage de la vitesse de dévidage du fil peut avoir besoin d'être ajusté à partir des valeurs du tableau ci-dessous.		
Suggestions de Réglages de Soudage	Épaisseur de l'Acier	Vitesse de Dévidage du Fil	Registre de la Chaleur
	Acier 18 Ga	6	5
	Acier 16 Ga	6.5	6
	Acier 14 Ga	7.5	7
	Acier 12 Ga	8	8
Acier 1/8"	8.5	8.5	
Conseils Utiles	<p>Souder à un rythme régulier.</p> <p>NE PAS faire serpenter l'arc, ni vers l'avant, ni vers l'arrière, ni sur les côtés.</p> <p>Éliminer le Laitier avec le Marteau à Piquer pour exposer la soudure</p> <p>Pour des Joints de Soudage Horizontaux, ne pas oublier : "Trainer s'il y a du Laitier".</p> <p>Se reporter au Manuel pour Remédier à une mauvaise qualité de soudage.</p>		
Direction du Soudage ET Angle du Pistolet en fonction de la Direction de la Soudure	<p>Trainée Horizontale      Verticale Ascendante      Verticale Descendante</p> 		
Angles de Pistolet Appropriés pour Types de Joints de Soudures communs	<p>Joint en T      Joint Bout à Bout      Joint à Recouvrement</p> 		
Dépassement Électrique	<p>Maintenir un Dépassement d'électrode de 3/8" pendant le soudage.</p> 		

## LISTE DES PIÈCES DE RECHANGE

Pointe de Contact (0,035")	KH712 (0,035" / 0,9 MM)
Rouleau Conducteur	KP4364-035
Buse	KH726
Fil FCAW	LINCOLN NR-211-MP DE 0,035



## AVERTISSEMENT

L'utilisation de cet appareil sur des matériaux plus épais que ceux recommandés peut causer des soudures de mauvaise qualité. Les soudures peuvent avoir une bonne apparence, mais elles peuvent manquer de fusion ou de la liaison nécessaire pour former une soudure forte. Ceci est connu sous le nom de "Coulage à Froid" ou "Collage" et ressemble à un joint froid à brasure tendre. Il peut en résulter une défaillance de la soudure.

## ENTRETIEN

### AVERTISSEMENT

**LES CHOCS ÉLECTRIQUES peuvent être mortels.**

- **COUPER** l'alimentation d'entrée au niveau de la source de puissance de soudage avant d'installer ou de changer les rouleaux conducteurs et/ou les guides.
- **Ne pas toucher** les pièces sous alimentation électrique.
- Lorsque le fil est dévidé au moyen de la gâchette du pistolet, l'électrode et le mécanisme d'entraînement sont sous tension vers la pièce à souder et vers la masse et ils peuvent le rester pendant plusieurs secondes après que la gâchette du pistolet ait été relâchée.
- **Ne pas faire fonctionner** sans les couvercles, les panneaux ou les protections, ou si ceux-ci sont ouverts.
- **Seul le personnel qualifié est autorisé à effectuer le travail d'entretien.**



### PIÈCES N'AYANT BESOIN D'AUCUN ENTRETIEN

- Moteur d'entraînement et boîte d'engrenages - lubrification à vie
- Axe de l'enrouleur de fil - NE PAS graisser l'arbre.

### ENTRETIEN DE ROUTINE ET PÉRIODIQUE

- **AVANT CHAQUE UTILISATION** - réviser la machine et les accessoires pour détecter tout défaut empêchant de toute évidence un fonctionnement sûr. Réparer ou changer les pièces selon les besoins pour corriger tout état anormal.

### APRÈS 5 MINUTES DE SOUDAGE OU LORSQUE LES PROJECTIONS S'ACCUMULENT SUR LA POINTE DE CONTACT :

- **NETTOYAGE DE LA POINTE ET DE LA BUSE** - avec l'interrupteur de mise sous tension sur la position arrêt, nettoyer la pointe de contact et la buse pour éviter que l'arc ne forme un pont entre les deux. La formation d'un pont peut avoir pour conséquence une buse court-circuitée, de mauvaises soudures et un pistolet surchauffé. Conseil : le spray ou le gel pour éviter le collage, disponibles auprès des fournisseurs de matériel de soudage, peuvent réduire l'accumulation et aider au retrait des projections.

## DÉPANNAGE

### COMMENT UTILISER LE GUIDE DE DÉPANNAGE

### AVERTISSEMENT

L'entretien et les Réparations ne doivent être effectués que par le Personnel formé par l'Usine Lincoln Electric. Des réparations non autorisées réalisées sur cet appareil peuvent mettre le technicien et l'opérateur de la machine en danger et elles annuleraient la garantie d'usine. Par sécurité et afin d'éviter les **CHOCS ÉLECTRIQUES**, suivre toutes les observations et mesures de sécurité détaillées tout au long de ce manuel.

Ce guide de Dépannage est fourni pour aider à localiser et à réparer de possibles mauvais fonctionnements de la machine. Simplement suivre la procédure en trois étapes décrite ci-après.

#### Étape 1. LOCALISER LE PROBLÈME (SYMPTÔME).

Regarder dans la colonne intitulée « PROBLÈMES (SYMPTÔMES) ». Cette colonne décrit les symptômes que la machine peut présenter. Chercher l'énoncé qui décrit le mieux le symptôme présenté par la machine.

#### Étape 2. CAUSE POSSIBLE.

La deuxième colonne, intitulée « CAUSE POSSIBLE », énonce les possibilités externes évidentes qui peuvent contribuer au symptôme présenté par la machine.

#### Étape 3. ACTION RECOMMANDÉE.

Cette colonne suggère une action recommandée pour une Cause Possible ; en général elle spécifie de contacter le concessionnaire autorisé de Service sur le Terrain Lincoln Electric le plus proche.

Si vous ne comprenez pas ou si vous n'êtes pas en mesure de réaliser les actions recommandées de façon sûre, contactez le Service sur le Terrain Lincoln autorisé le plus proche.

### AVERTISSEMENT

**LES CHOCS ÉLECTRIQUES peuvent être mortels.**

- **Éteindre la machine au niveau de l'interrupteur de déconnexion sur l'arrière de la machine puis retirer les branchements de l'alimentation principale avant d'effectuer tout diagnostic de panne.**



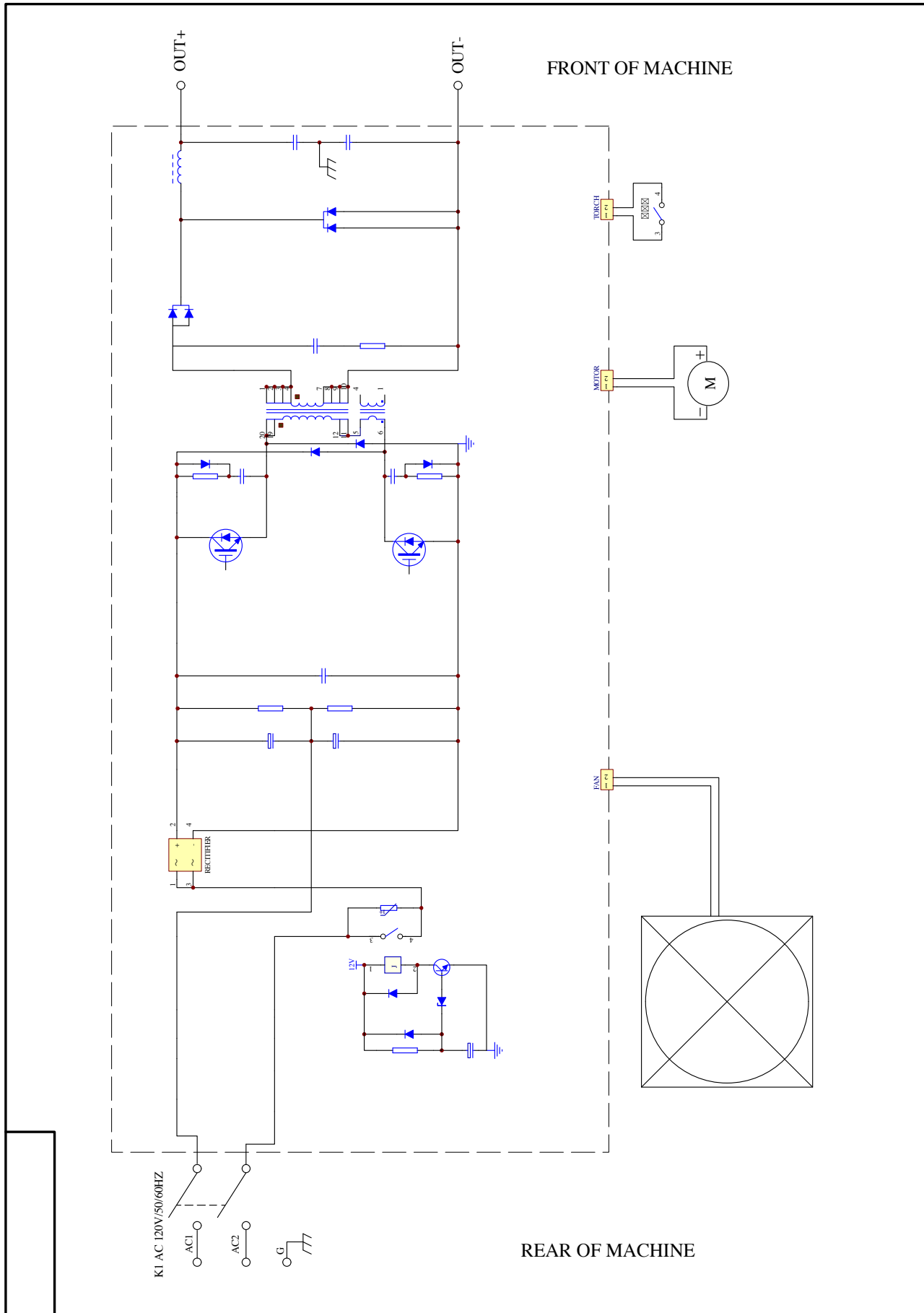
## Suivre les Instructions de Sécurité détaillées au début de ce manuel

PROBLÈMES (SYMPTOMES)	ZONES POSSIBLES DE MAUVAIS RÉGLAGE(S)	ACTION RECOMMANDÉE
Le cordon est trop épais (de façon intermittente).	La vitesse de déplacement est lente et/ou irrégulière.	L'augmenter et maintenir une vitesse de déplacement constante.
	Le registre de chaleur de sortie est trop élevé.	Basculer la tension.
Le cordon ne pénètre pas dans le métal de base.	La vitesse de déplacement est irrégulière.	La diminuer et maintenir une vitesse de déplacement constante.
	Le registre de chaleur de sortie est trop faible.	Retournez la tension.
Le fil crépite et colle à la pièce à souder.	Le fil est humide.	Le changer pour un fil sec. Vérifier que le fil soit rangé dans un endroit sec.
	La vitesse de dévidage du fil (WFS) est trop rapide.	Diminuer la WFS.
Le bord de la soudure présente des dépressions frangées.	La vitesse de déplacement est trop rapide.	Diminuer la vitesse de déplacement.
	La WFS est trop rapide.	Diminuer la WFS.
	Le registre de chaleur de sortie est trop élevé.	Placer l'Interrupteur de Registre de Chaleur Faible - Élevée sur Faible et/ou l'Ajustement Précis de Chaleur sur (1).



Si pour une raison quelconque vous ne comprenez pas les procédures de tests ou si vous n'êtes pas en mesure de réaliser les tests/réparations de façon sûre, avant de continuer, contactez le Service sur le Terrain Lincoln autorisé le plus proche pour obtenir une assistance technique.

**WWW.LINCOLNELECTRIC.COM/LOCATOR**







			
<b>WARNING</b>	<ul style="list-style-type: none"> <li>● Do not touch electrically live parts or electrode with skin or wet clothing.</li> <li>● Insulate yourself from work and ground.</li> </ul>	<ul style="list-style-type: none"> <li>● Keep flammable materials away.</li> </ul>	<ul style="list-style-type: none"> <li>● Wear eye, ear and body protection.</li> </ul>
Spanish <b>AVISO DE PRECAUCION</b>	<ul style="list-style-type: none"> <li>● No toque las partes o los electrodos bajo carga con la piel o ropa mojada.</li> <li>● Aíslese del trabajo y de la tierra.</li> </ul>	<ul style="list-style-type: none"> <li>● Mantenga el material combustible fuera del área de trabajo.</li> </ul>	<ul style="list-style-type: none"> <li>● Protéjase los ojos, los oídos y el cuerpo.</li> </ul>
French <b>ATTENTION</b>	<ul style="list-style-type: none"> <li>● Ne laissez ni la peau ni des vêtements mouillés entrer en contact avec des pièces sous tension.</li> <li>● Isolez-vous du travail et de la terre.</li> </ul>	<ul style="list-style-type: none"> <li>● Gardez à l'écart de tout matériel inflammable.</li> </ul>	<ul style="list-style-type: none"> <li>● Protégez vos yeux, vos oreilles et votre corps.</li> </ul>
German <b>WARNUNG</b>	<ul style="list-style-type: none"> <li>● Berühren Sie keine stromführenden Teile oder Elektroden mit Ihrem Körper oder feuchter Kleidung!</li> <li>● Isolieren Sie sich von den Elektroden und dem Erdboden!</li> </ul>	<ul style="list-style-type: none"> <li>● Entfernen Sie brennbares Material!</li> </ul>	<ul style="list-style-type: none"> <li>● Tragen Sie Augen-, Ohren- und Körperschutz!</li> </ul>
Portuguese <b>ATENÇÃO</b>	<ul style="list-style-type: none"> <li>● Não toque partes elétricas e electrodos com a pele ou roupa molhada.</li> <li>● Isole-se da peça e terra.</li> </ul>	<ul style="list-style-type: none"> <li>● Mantenha inflamáveis bem guardados.</li> </ul>	<ul style="list-style-type: none"> <li>● Use proteção para a vista, ouvido e corpo.</li> </ul>
Japanese <b>注意事項</b>	<ul style="list-style-type: none"> <li>● 通電中の電気部品、又は溶材にヒブやぬれた布で触れないこと。</li> <li>● 施工物やアースから身体が絶縁されている様にして下さい。</li> </ul>	<ul style="list-style-type: none"> <li>● 燃えやすいものの側での溶接作業は絶対にしてはなりません。</li> </ul>	<ul style="list-style-type: none"> <li>● 目、耳及び身体に保護具をして下さい。</li> </ul>
Chinese <b>警告</b>	<ul style="list-style-type: none"> <li>● 皮膚或濕衣物切勿接觸帶電部件及鎢條。</li> <li>● 使你自己與地面和工件絕緣。</li> </ul>	<ul style="list-style-type: none"> <li>● 把一切易燃物品移離工作場所。</li> </ul>	<ul style="list-style-type: none"> <li>● 佩戴眼、耳及身體勞動保護用具。</li> </ul>
Korean <b>위험</b>	<ul style="list-style-type: none"> <li>● 전도체나 용접봉을 젖은 헝겍 또는 피부로 절대 접촉치 마십시오.</li> <li>● 모재와 접지를 접촉치 마십시오.</li> </ul>	<ul style="list-style-type: none"> <li>● 인화성 물질을 접근시키지 마십시오.</li> </ul>	<ul style="list-style-type: none"> <li>● 눈, 귀와 몸에 보호장구를 착용하십시오.</li> </ul>
Arabic <b>تحذير</b>	<ul style="list-style-type: none"> <li>● لا تلمس الاجزاء التي يسري فيها التيار الكهربائي أو الألكترود بجسدك أو بالملابس المبللة بالماء.</li> <li>● ضع عازلا على جسمك خلال العمل.</li> </ul>	<ul style="list-style-type: none"> <li>● ضع المواد القابلة للاشتعال في مكان بعيد.</li> </ul>	<ul style="list-style-type: none"> <li>● ضع أدوات وملابس واقية على عينيك وأذنيك وجسمك.</li> </ul>

**READ AND UNDERSTAND THE MANUFACTURER'S INSTRUCTION FOR THIS EQUIPMENT AND THE CONSUMABLES TO BE USED AND FOLLOW YOUR EMPLOYER'S SAFETY PRACTICES.**

**SE RECOMIENDA LEER Y ENTENDER LAS INSTRUCCIONES DEL FABRICANTE PARA EL USO DE ESTE EQUIPO Y LOS CONSUMIBLES QUE VA A UTILIZAR, SIGA LAS MEDIDAS DE SEGURIDAD DE SU SUPERVISOR.**

**LISEZ ET COMPRENEZ LES INSTRUCTIONS DU FABRICANT EN CE QUI REGARDE CET EQUIPMENT ET LES PRODUITS A ETRE EMPLOYES ET SUIVEZ LES PROCEDURES DE SECURITE DE VOTRE EMPLOYEUR.**

**LESEN SIE UND BEFOLGEN SIE DIE BETRIEBSANLEITUNG DER ANLAGE UND DEN ELEKTRODENEINSATZ DES HERSTELLERS. DIE UNFALLVERHÜTUNGSVORSCHRIFTEN DES ARBEITGEBERS SIND EBENFALLS ZU BEACHTEN.**

			
<ul style="list-style-type: none"> <li>● Keep your head out of fumes.</li> <li>● Use ventilation or exhaust to remove fumes from breathing zone.</li> </ul>	<ul style="list-style-type: none"> <li>● Turn power off before servicing.</li> </ul>	<ul style="list-style-type: none"> <li>● Do not operate with panel open or guards off.</li> </ul>	<b>WARNING</b>
<ul style="list-style-type: none"> <li>● Los humos fuera de la zona de respiración.</li> <li>● Mantenga la cabeza fuera de los humos. Utilice ventilación o aspiración para gases.</li> </ul>	<ul style="list-style-type: none"> <li>● Desconectar el cable de alimentación de poder de la máquina antes de iniciar cualquier servicio.</li> </ul>	<ul style="list-style-type: none"> <li>● No operar con panel abierto o guardas quitadas.</li> </ul>	Spanish <b>AVISO DE PRECAUCION</b>
<ul style="list-style-type: none"> <li>● Gardez la tête à l'écart des fumées.</li> <li>● Utilisez un ventilateur ou un aspirateur pour ôter les fumées des zones de travail.</li> </ul>	<ul style="list-style-type: none"> <li>● Débranchez le courant avant l'entretien.</li> </ul>	<ul style="list-style-type: none"> <li>● N'opérez pas avec les panneaux ouverts ou avec les dispositifs de protection enlevés.</li> </ul>	French <b>ATTENTION</b>
<ul style="list-style-type: none"> <li>● Vermeiden Sie das Einatmen von Schweißrauch!</li> <li>● Sorgen Sie für gute Be- und Entlüftung des Arbeitsplatzes!</li> </ul>	<ul style="list-style-type: none"> <li>● Strom vor Wartungsarbeiten abschalten! (Netzstrom völlig öffnen; Maschine anhalten!)</li> </ul>	<ul style="list-style-type: none"> <li>● Anlage nie ohne Schutzgehäuse oder Innenschutzverkleidung in Betrieb setzen!</li> </ul>	German <b>WARNUNG</b>
<ul style="list-style-type: none"> <li>● Mantenha seu rosto da fumaça.</li> <li>● Use ventilação e exaustão para remover fumo da zona respiratória.</li> </ul>	<ul style="list-style-type: none"> <li>● Não opere com as tampas removidas.</li> <li>● Desligue a corrente antes de fazer serviço.</li> <li>● Não toque as partes elétricas nuas.</li> </ul>	<ul style="list-style-type: none"> <li>● Mantenha-se afastado das partes moventes.</li> <li>● Não opere com os painéis abertos ou guardas removidas.</li> </ul>	Portuguese <b>ATENÇÃO</b>
<ul style="list-style-type: none"> <li>● ヒュームから頭を離すようにして下さい。</li> <li>● 換気や排煙に十分留意して下さい。</li> </ul>	<ul style="list-style-type: none"> <li>● メンテナンス・サービスに取りかかる際には、まず電源スイッチを必ず切して下さい。</li> </ul>	<ul style="list-style-type: none"> <li>● パネルやカバーを取り外したままで機械操作をしないで下さい。</li> </ul>	Japanese <b>注意事項</b>
<ul style="list-style-type: none"> <li>● 頭部遠離煙霧。</li> <li>● 在呼吸區使用通風或排風器除煙。</li> </ul>	<ul style="list-style-type: none"> <li>● 維修前切斷電源。</li> </ul>	<ul style="list-style-type: none"> <li>● 儀表板打開或沒有安全罩時不準作業。</li> </ul>	Chinese <b>警告</b>
<ul style="list-style-type: none"> <li>● 얼굴로부터 용접가스를 멀리하십시오.</li> <li>● 호흡지역으로부터 용접가스를 제거하기 위해 가스제거기나 통풍기를 사용하십시오.</li> </ul>	<ul style="list-style-type: none"> <li>● 보수전에 전원을 차단하십시오.</li> </ul>	<ul style="list-style-type: none"> <li>● 판넬이 열린 상태로 작동치 마십시오.</li> </ul>	Korean <b>위험</b>
<ul style="list-style-type: none"> <li>● ابعد رأسك بعيداً عن الدخان.</li> <li>● استعمل التهوية أو جهاز ضغط الدخان للخارج لكي تبعد الدخان عن المنطقة التي تتنفس فيها.</li> </ul>	<ul style="list-style-type: none"> <li>● اقطع التيار الكهربائي قبل القيام بأية صيانة.</li> </ul>	<ul style="list-style-type: none"> <li>● لا تشغيل هذا الجهاز اذا كانت الاغطية الحديدية الواقية ليست عليه.</li> </ul>	Arabic <b>تحذير</b>

**LEIA E COMPREENDA AS INSTRUÇÕES DO FABRICANTE PARA ESTE EQUIPAMENTO E AS PARTES DE USO, E SIGA AS PRÁTICAS DE SEGURANÇA DO EMPREGADOR.**

使う機械や溶材のメーカーの指示書をよく読み、まず理解して下さい。そして貴社の安全規定に従って下さい。

請詳細閱讀並理解製造廠提供的說明以及應該使用的銀焊材料，並請遵守貴方的有關勞動保護規定。

이 제품에 동봉된 작업지침서를 숙지하시고 귀사의 작업자 안전수칙을 준수하시기 바랍니다.

اقرأ بتمعن وافهم تعليمات المصنع المنتج لهذه المعدات والمواد قبل استعمالها واتبع تعليمات الوقاية لصاحب العمل.

## **POLITIQUE D'ASSISTANCE AU CLIENT**

Les activités commerciales de The Lincoln Electric Company sont la fabrication et la vente d'appareils de soudage de grande qualité, les pièces de rechange et les appareils de coupage.

Notre défi est de satisfaire les besoins de nos clients et de dépasser leur attente. Quelquefois, les acheteurs peuvent demander à Lincoln Electric de les conseiller ou de les informer sur l'utilisation de nos produits. Nous répondons à nos clients en nous basant sur la meilleure information que nous possédons sur le moment. Lincoln Electric n'est pas en mesure de garantir de tels conseils et n'assume aucune responsabilité à l'égard de ces informations ou conseils. Nous dénisons expressément toute garantie de quelque sorte qu'elle soit, y compris toute garantie de compatibilité avec l'objectif particulier du client, quant à ces informations ou conseils. En tant que considération pratique, de même, nous ne pouvons assumer aucune responsabilité par rapport à la mise à jour ou à la correction de ces informations ou conseils une fois que nous les avons fournis, et le fait de fournir ces informations ou conseils ne crée, ni étend ni altère aucune garantie concernant la vente de nos produits.

Lincoln Electric est un fabricant sensible, mais le choix et l'utilisation de produits spécifiques vendus par Lincoln Electric relève uniquement du contrôle du client et demeure uniquement de sa responsabilité. De nombreuses variables au-delà du contrôle de Lincoln Electric affectent les résultats obtenus en appliquant ces types de méthodes de fabrication et d'exigences de service.

Susceptible d'être Modifié - Autant que nous le sachons, cette information est exacte au moment de l'impression. Prière de visiter le site [www.lincolnelectric.com](http://www.lincolnelectric.com) pour la mise à jour de ces informations.



**CENTURY EQUIPMENT**  
2345 Murphy Blvd. • Gainesville, GA 30504