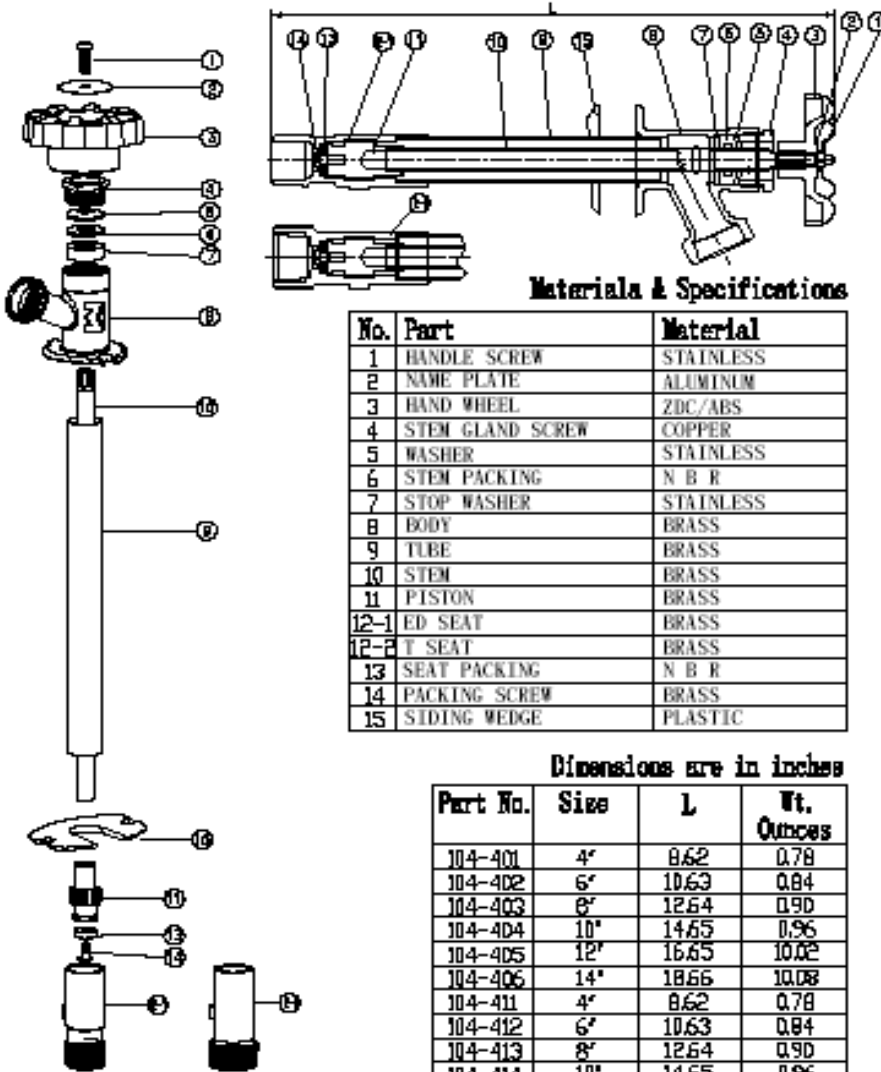


BRASS

Frost Free Sillcock

Features:

- Chrome plated brass body and tube
- Lead free silver solder construction
- Built in lock shield
- 3/4" hose thread outlet
- Available in Handy Carton(HC) bin box packaging



Materials & Specifications

No.	Part	Material
1	HANDLE SCREW	STAINLESS
2	NAME PLATE	ALUMINUM
3	HAND WHEEL	ZDC/ABS
4	STEM GLAND SCREW	COPPER
5	WASHER	STAINLESS
6	STEM PACKING	N B R
7	STOP WASHER	STAINLESS
8	BODY	BRASS
9	TUBE	BRASS
10	STEM	BRASS
11	PISTON	BRASS
12-1	ED SEAT	BRASS
12-2	T SEAT	BRASS
13	SEAT PACKING	N B R
14	PACKING SCREW	BRASS
15	SIDING WEDGE	PLASTIC

Dimensions are in inches

Part No.	Size	L	Wt. Ounces
104-401	4"	8.62	0.78
104-402	6"	10.63	0.84
104-403	8"	12.64	0.90
104-404	10"	14.65	0.96
104-405	12"	16.65	10.02
104-406	14"	18.66	10.08
104-411	4"	8.62	0.78
104-412	6"	10.63	0.84
104-413	8"	12.64	0.90
104-414	10"	14.65	0.96
104-415	12"	16.65	10.02

Working pressures

Working pressure Non-Shock(psi)		Tset Pressure(psi)	
Saturated Steam	Cold water, Oil, Gas	Shell(CA1r)	Seat(CA1r)
125	125	80	80

B&K Part No.
104-401 to 104-406
 &
104-411 to 104-415
 4" to 14"
 Threaded

- Meet NSF/ANSI 61-9 approved low lead standards
- Pipe threads comply with ANSI B1.20.1
- Hose threads comply with ANSI B1.20.7
- Solder ends comply with ANSI B16.18



NSF/ANSI 61-9
 NSF/ANSI B1.20.1
 NSF/ANSI B1.20.7
 NSF/ANSI B16.18