

# INDEPENDENCE SERIES **LED** WALL LIGHTS

2,000 – 10,000 LUMENS



**Atlas**  
★ American Lighting

# 2,000 - 10,000 LUMEN INDEPENDENCE SERIES



**DELIVERING  
LIGHT & VALUE**

## CONSTRUCTION:

Rugged Traditional aluminum die cast housing provides proven environmental protection for LED modules. Traditional fixture designs provide a familiar look and standard installation requirements.

## GLARE REDUCTION LENS:

Positioning of the LED modules combined with the unique design of the lens assembly results in light being directed to desired locations and reduces offensive light.

## DRIVER:

Constant current, Class 2, 120-277 VAC, 50-60 Hz High Efficiency – min. 88% 0-10 V Dimming

## INSTALLATION:

Fixture retains the same knock-out sizes and positions as previous models, reducing wiring costs.

## ORDERING FORMAT

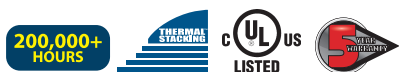
<b>WM</b>	<b>5L</b>	<b>45K</b>				
<b>PRODUCT SERIES</b> W = Tall Wall Light WSG = Small Wall Light WM = Medium Wall Light WD = Large Wall Light	<b>LUMEN PACKAGE</b> 2L = 2,000 Lumens <sup>1</sup> 4L = 4,000 Lumens <sup>2</sup> 5L = 5,000 Lumens <sup>3</sup> 7L = 7,000 Lumens <sup>3,4</sup> 10L = 10,000 Lumens <sup>4</sup>	<b>COLOR TEMP.</b> 3K = 3000K 4K = 4000K 45K = 4500K 5K = 5000K	<b>CONTROLS</b> Blank = Dimming (0-10V) PC = 120V Photocontrol PM = 208-277V Photocontrol BTM = Blue Tooth Microwave <sup>3,4</sup> <i>includes photocontrol</i>	<b>VOLTAGE</b> Blank = 120-277 4 = 480V <sup>3,4</sup>	<b>COLOR</b> Blank = Bronze WT = White* BK = Black* <i>*optional with adder - not available on W Series</i>	<b>OPTIONS</b> EB = Emergency Back-Up <sup>3,4</sup>

<sup>1</sup>W Series only

<sup>2</sup>WSG Series only

<sup>3</sup>WM Series only

<sup>4</sup>WD Series only



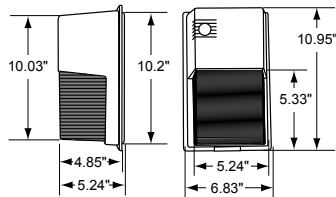
\*The majority of Atlas Lighting Products are assembled in USA facilities by an American Workforce utilizing both Domestic and Foreign components

## PERFORMANCE DATA

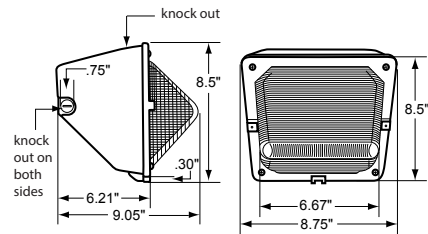
UNIT	CRI	3000K CCT		4000K CCT		4500K CCT		5000K CCT		WATTAGE	REPLACES
		Delivered Lumens	Efficacy (LPW)	Delivered Lumens	Efficacy (LPW)	Delivered Lumens	Efficacy (LPW)	Delivered Lumens	Efficacy (LPW)		
W2L	80	n/a	n/a	2,283	112	2,133	110	2,285	112	21	50-100W MH
WSG4L	80	3,913	125	3,913	125	3,913	125	4,044	130	31	50-100W MH
WM5L	80	4,900	128	5,036	132	4,900	128	5,071	132	38	100-175W MH
WM7L	80	7,051	117	7,229	121	7,229	121	7,349	122	60	250-400W MH
WD7L	80	6,046	114	6,933	124	6,933	124	6,933	124	56	250-400W MH
WD10L	80	9,958	122	9,958	122	9,958	122	9,958	122	82	250-400W MH

## DIMENSIONS

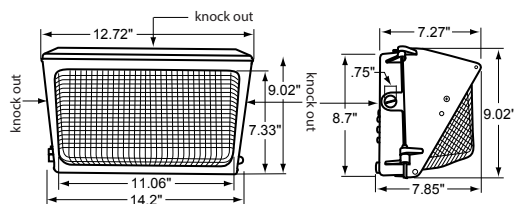
### W - TALL WALL LIGHT



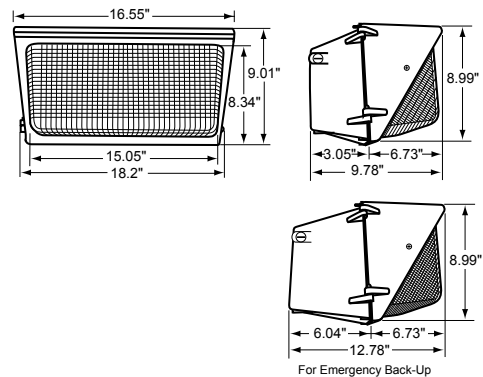
### WSG - SMALL WALL LIGHT



### WM - MEDIUM WALL LIGHT



### WD - LARGE WALL LIGHT



# INDEPENDENCE SERIES LED WALL LIGHTS

AVAILABLE WITH CAPITAL CONTROLS



PO BOX 2348 BURLINGTON, NC 27216  
1406 S. MEBANE STREET BURLINGTON, NC 27215  
800-849-8485 | FAX 1-855-847-2794  
WWW.ATLASLED.COM

452-259 091119



Scan QR CODE  
to visit our website

CONNECT WITH US

