



SERVICE PARTS LIST

BULLETIN NO.
54-07-2575

SPECIFY CATALOG NO. AND SERIAL NO. WHEN ORDERING PARTS			REVISED BULLETIN	DATE
TRAPSSNAKE™ PORCELAIN AUGER SYSTEM				Feb. 2017
CATALOG NO.	2574 SERIES	4' Urinal Auger	Page 1	
	2576 SERIES	6' Toilet Auger	Page 2	

EXAMPLE:
Component Parts (Small #) Are Included
When Ordering The Assembly (Large #).

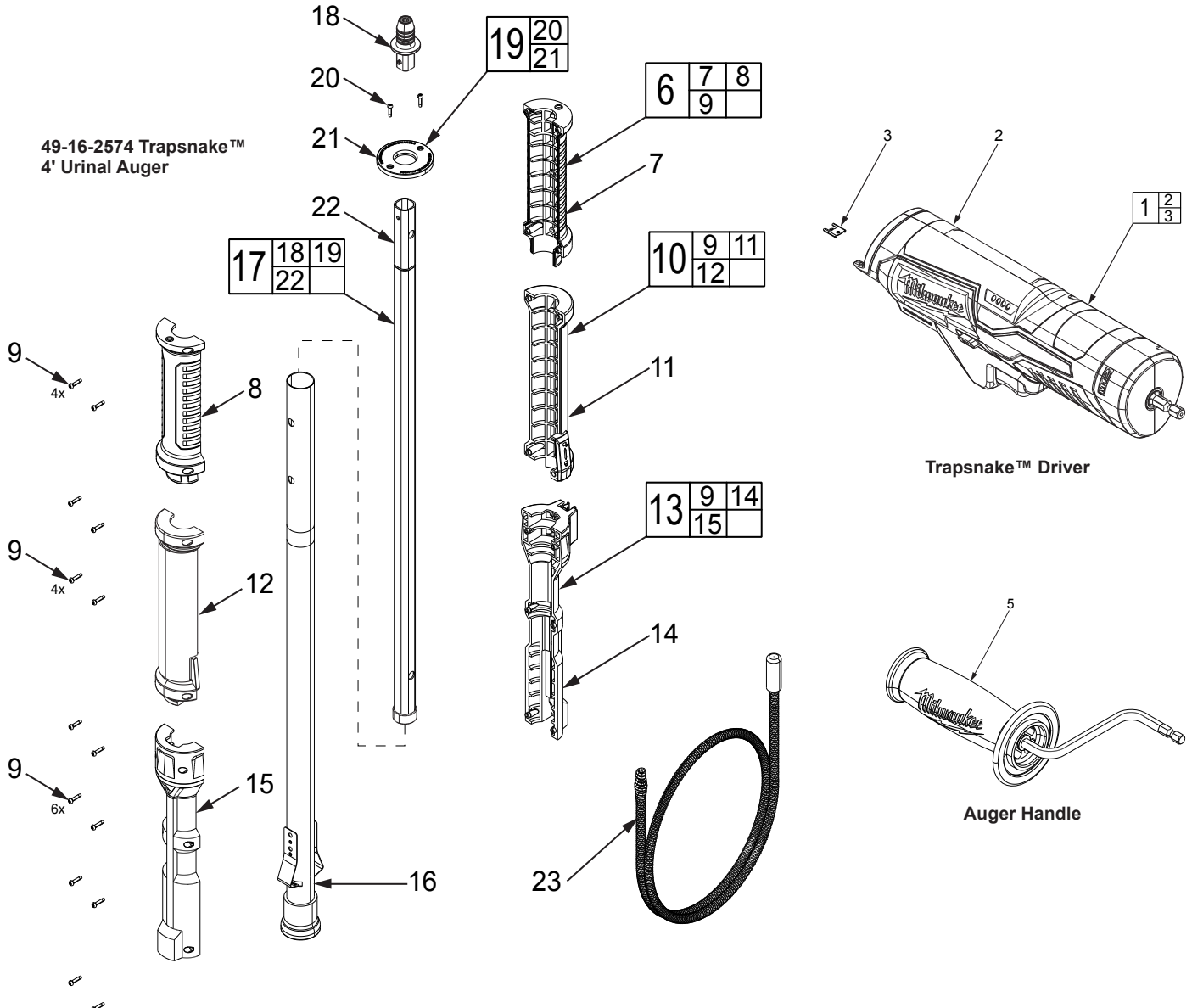


FIG.	PART NO.	DESCRIPTION OF PART	NO. REQ.
1	14-50-2576	Trapsnake™ Driver w/ Housing Clip	(1)
2	-----	Trapsnake™ Driver	(1)
3	42-70-0058	Housing Clip	(1)
4	12-20-2508	Driver Service Nameplate (not shown)	(1)
5	31-44-1135	Auger Handle	(1)
6	31-44-1155	Upper Handle Assembly	(1)
7	-----	Upper Handle Cover	(1)
8	-----	Upper Handle Support	(1)
9	06-82-1080	M3 T-10 Screw	(14)
10	31-44-1145	Clamp Handle Assembly	(1)
11	-----	Clamp Handle Cover	(1)
12	-----	Clamp Handle Support	(1)
13	31-44-1125	Lower Handle Assembly	(1)
14	-----	Lower Handle Cover	(1)
15	-----	Lower Handle Support	(1)
16	45-76-0155	Outer Tube Assembly	(1)
17	45-76-0185	Inner Tube Assembly	(1)
18	-----	Auger Socket	(1)
19	31-12-0245	Handle Cap Assembly	(1)

FIG.	PART NO.	DESCRIPTION OF PART	NO. REQ.
20	05-81-0195	M3 Phillips Screw	(2)
21	-----	Handle Cap	(1)
22	-----	Inner Tube	(1)
23	48-53-2577	4' Bulb Head Cable	(1)
24	12-20-2509	Auger Service Nameplate (not shown)	(1)
25	10-20-2521	Urinal Auger Warning Label - Text (not shown)	(1)
26	10-20-2522	Urinal Auger Warning Label - Symbols (not shown)	(1)

FIG. NOTES
4, 24, 25, 26 A clean, dry surface is essential for proper performance for any adhesive system. The area intended for application of any adhesive label or nameplate must be prepared by cleaning with isopropyl alcohol. The solvent is to be applied with a clean, lint free applicator and the surface allowed to dry before applying the label or nameplate.

49-16-2576 Trapsnake™
6' Toilet Auger

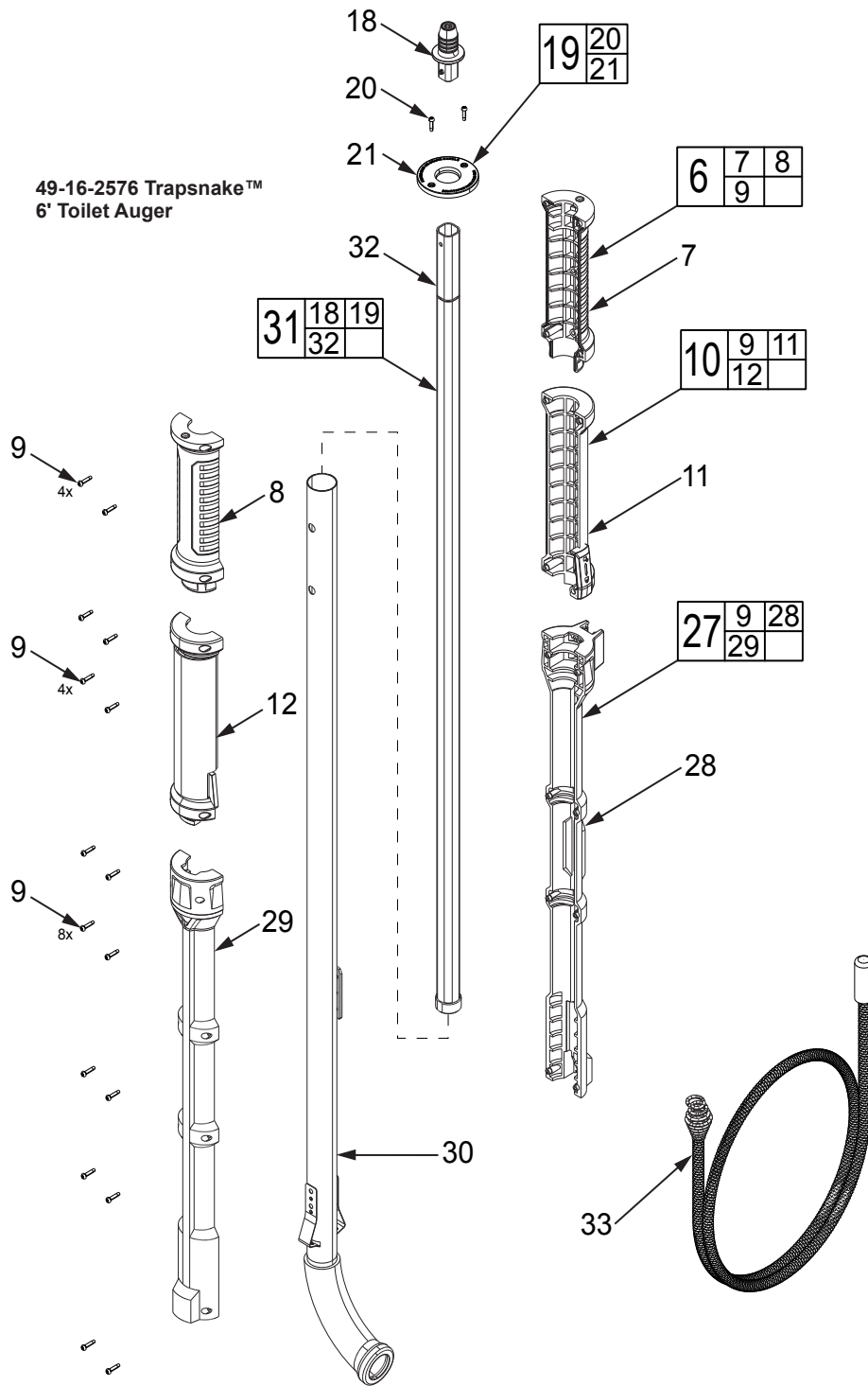


FIG.	PART NO.	DESCRIPTION OF PART	NO. REQ.
6	31-44-1155	Upper Handle Assembly	(1)
7	-----	Upper Handle Cover	(1)
8	-----	Upper Handle Support	(1)
9	06-82-1080	M3 T-10 Screw	(16)
10	31-44-1145	Clamp Handle Assembly	(1)
11	-----	Clamp Handle Cover	(1)
12	-----	Clamp Handle Support	(1)
18	-----	Auger Socket	(1)
19	31-12-0245	Handle Cap Assembly	(1)
20	05-81-0195	M3 Phillips Screw	(2)
21	-----	Handle Cap	(1)
24	12-20-2509	Auger Service Nameplate (not shown)	(1)
27	31-44-1075	Lower Handle Assembly	(1)
28	-----	Lower Handle Cover	(1)
29	-----	Lower Handle Support	(1)

FIG.	PART NO.	DESCRIPTION OF PART	NO. REQ.
30	45-76-0145	Outer Tube Assembly	(1)
31	45-76-0135	Inner Tube Assembly	(1)
32	-----	Inner Tube	(1)
33	48-53-2576	6' Retriever Bulb Head Cable	(1)
34	10-20-2528	Toilet Auger Warning Label (not shown)	(1)

FIG. 24, 34 NOTES
A clean, dry surface is essential for proper performance for any adhesive system. The area intended for application of any adhesive label or nameplate must be prepared by cleaning with isopropyl alcohol. The solvent is to be applied with a clean, lint free applicator and the surface allowed to dry before applying the label or nameplate.