

PIPE CLAMPS



ONE HOLE STRAP

- Function:** Designed for the support of standard steel pipe (**Fig. 835**), copper tube (**Fig. 836**), or EMT conduit (**Fig. 837**) on walls or sides of beams. Not recommended for use horizontally, on ceilings, or bottoms of beams.
- Material:** Carbon steel (Type 304 or 316 Stainless Steel upon request for Fig. 835, & Fig. 837)
- Finish:** Electro-galvanized (**Fig. 835 & Fig. 837**) & copper plated (**Fig. 836**)
- Ordering:** Specify figure number, pipe, tube, or EMT size, material, and finish.

FIG. 835, 836, & 837

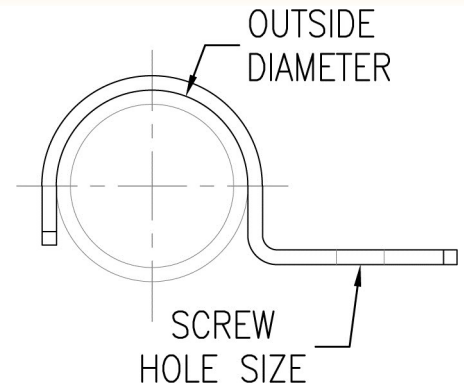


Fig. 835									
Pipe Size		Outside Diameter		Screw Hole Size		Wt. Each			
						lbs.	kg		
1/2	(15)	.84	(21.34)	9/32	(7.14)	.06	(.03)		
3/4	(20)	1.05	(26.67)	9/32	(7.14)	.10	(.05)		
1	(25)	1.32	(33.27)	9/32	(7.14)	.10	(.05)		
1 1/4	(32)	1.66	(42.16)	1 1/32	(8.73)	.13	(.06)		
1 1/2	(40)	1.90	(48.26)	1 3/32	(10.32)	.20	(.09)		
2	(50)	2.38	(60.20)	1 3/32	(10.32)	.25	(.11)		
2 1/2	(65)	2.88	(72.90)	9/16	(14.29)	.50	(.23)		
3	(80)	3.50	(88.90)	9/16	(14.29)	1.00	(.45)		
4	(100)	4.50	(114.30)	9/16	(14.29)	1.50	(.68)		

Fig. 836									
Tube Size		Outside Diameter		Screw Hole Size		Wt. Each			
						lbs.	kg		
1/8	(3)	.25	(6.35)	3/16	(4.76)	.01	(.01)		
1/4	(6)	.38	(9.53)	3/16	(4.76)	.02	(.01)		
3/8	(10)	.50	(12.70)	9/32	(7.14)	.02	(.01)		
1/2	(15)	.63	(15.88)	9/32	(7.14)	.03	(.01)		
3/4	(20)	.88	(22.23)	9/32	(7.14)	.06	(.03)		
1	(25)	1.13	(28.58)	9/32	(7.14)	.07	(.03)		
1 1/4	(32)	1.38	(34.93)	9/32	(7.14)	.09	(.04)		
1 1/2	(40)	1.63	(41.28)	5/16	(7.94)	.13	(.06)		
2	(50)	2.13	(53.98)	3/8	(9.53)	.20	(.09)		

Fig. 837									
EMT Size		Outside Diameter		Screw Hole Size		Wt. Each			
						lbs.	kg		
1/2	(15)	.71	(18.03)	9/32	(7.14)	.06	(.03)		
3/4	(20)	.92	(23.37)	9/32	(7.14)	.10	(.05)		
1	(25)	1.16	(29.46)	9/32	(7.14)	.10	(.05)		
1 1/4	(32)	1.51	(38.35)	1 1/32	(8.73)	.13	(.06)		
1 1/2	(40)	1.74	(44.20)	1 3/32	(10.32)	.20	(.09)		
2	(50)	2.20	(55.88)	1 3/32	(10.32)	.25	(.11)		
2 1/2	(65)	2.88	(72.90)	9/16	(14.29)	.50	(.23)		
3	(80)	3.50	(88.90)	9/16	(14.29)	1.00	(.45)		
4	(100)	4.50	(114.30)	9/16	(14.29)	1.50	(.68)		

Note: Sizes 1/2 - 1 snap on.

THREADED ACCESSORIES
CPVC STRAPS
BAND HANGERS
BEAM CLAMPS
CLEVIS HANGERS
PIPE ROLLER SUPPORTS
SPLIT RING HANGERS
PIPE CLAMPS
CENTER LOAD BEAM CLAMPS
PIPE SHIELDS, INSULATION, & SADDLES
PIPE GUIDES & SLIDES
WALL BRACKETS
PIPE SUPPORTS
STRUCTURAL ATTACHMENTS
SEISMIC BRACING