



# SMART PORT LED

## KTS-MW1-12V-AUX SMART PORT LED MICROWAVE OCCUPANCY SENSOR

### DESCRIPTION

Smart Port LED Microwave Occupancy Sensor | 12V Input | 0-10V Output

**5 YEAR**  
WARRANTY

<b>INPUT VOLTAGE:</b> 12V ± 2V
<b>INPUT FREQUENCY:</b> 5.8 GHz ± 75MHz
<b>OUTPUT VOLTAGE:</b> 0-10V
<b>TRANSMIT POWER:</b> 1mW
<b>DIMMING:</b> Adjustable standby levels
<b>WARRANTY:</b> 5 Years



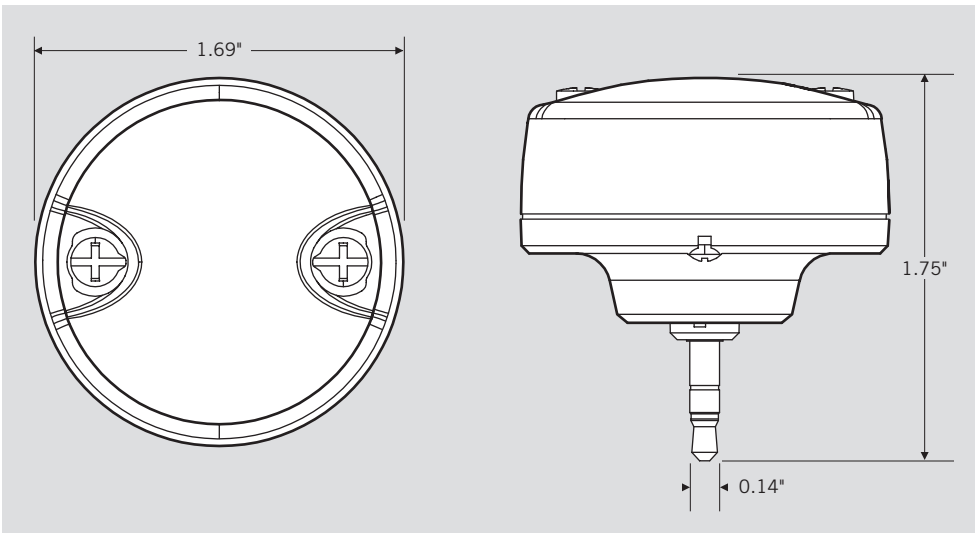
### PRODUCT FEATURES

- Smart Port LED Microwave Occupancy Sensor
- On/Off with adjustable standby dimming level
- 12V input
- 3.5mm standard AUX port connection method
- Operating temperature range: -20°C/-4°F to 60°C/140°F
- IP 20

### PERFORMANCE SPECIFICATIONS

Catalog Number	Operating Frequency	Input Voltage	Output Voltage	Operating Current	Transmit Power	Detection Angle	Max Mounting Height	Detection Radius (at Max Mounting height)	Standby Dim Levels	Hold Time Options
KTS-MW1-12V-AUX	5.8GHz	12V	0-10V	20mA	1mW	120 degrees	26 ft	16.5 ft	0% 20% 40% 60%	30 sec 90 sec 5 min 10 min

### PHYSICAL SPECIFICATIONS





# SMART PORT LED

## KTS-MW1-12V-AUX SMART PORT LED MICROWAVE OCCUPANCY SENSOR

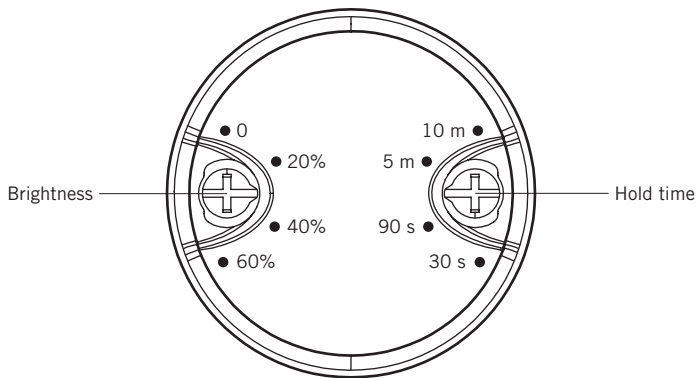
### PRE-INSTALLATION PROGRAMMING

1. **Read and understand all warnings and notes stated below before proceeding with installation.**

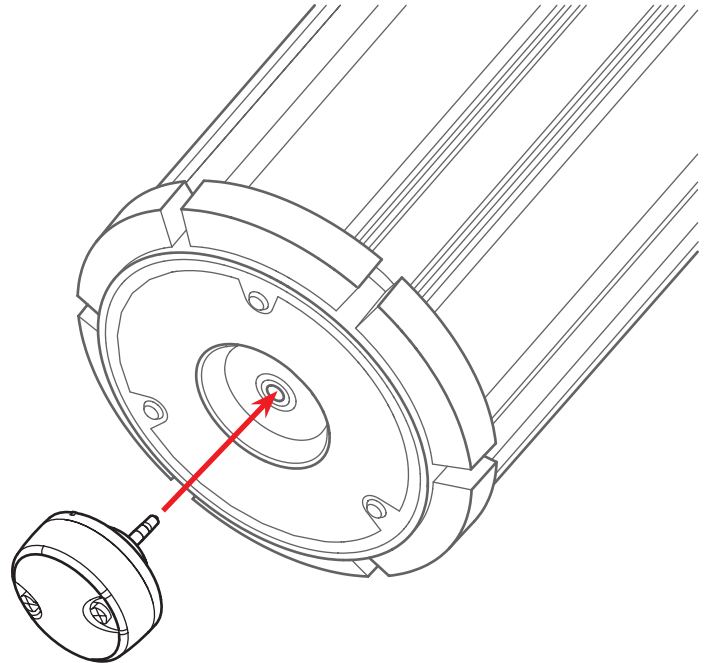
- Operating temperature:  $-20^{\circ}\text{C}/-4^{\circ}\text{F}$  to  $60^{\circ}\text{C}/140^{\circ}\text{F}$
- Do not use with enclosed metal luminaire.
- Do not expose directly to water.
- Not for outdoor use.
- Use only one module per lamp.

2. Set Microwave Occupancy Sensor brightness and hold time:

- Brightness (Light level output when sensing no motion)
  - Set standby dimming level to 0/20%/40%/60% of full light output.
- Hold time (Time from light trigger until no motion is detected)
  - Set time duration until sensor triggers standby light level (30 seconds/90 seconds/5 minutes/10 minutes).



3. Plug the Microwave Occupancy Sensor into Smart Port
- Insert 3.5mm AUX into the Smart Port on Keystone's Smart Port LED compatible lamps.



### INSTALLATION

#### OPERATION

- Plug in and turn on the LED lamp with the installed Microwave Occupancy Sensor.
  - Lamp will be illuminated at 100% brightness.
- Wait for preset hold time (30 seconds/90 seconds/5 minutes/10 minutes).
  - If no motion is detected, lamp will be turned down to 0–60% brightness, depending on your preset brightness level (0/20%/40%/60%).
  - If motion is detected, lamp will stay turned on at 100% brightness.

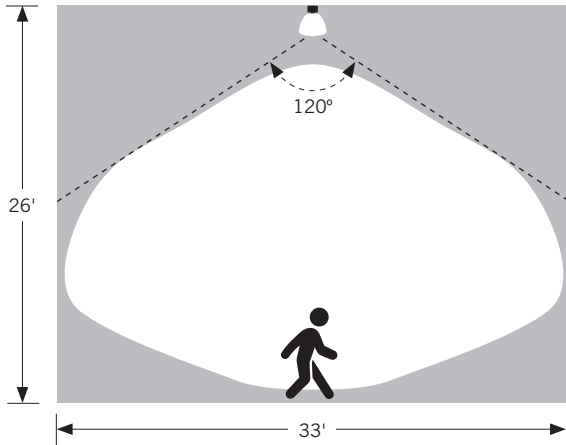


# SMART PORT LED

## KTS-MW1-12V-AUX

SMART PORT LED MICROWAVE OCCUPANCY SENSOR

### MICROWAVE OCCUPANCY SENSOR DETECTION AREA



### APPLICATIONS

- Corridors
- Stairwells
- Restrooms
- Courtyards
- Doorways
- Parking lots
- Gas stations
- Warehouses

### ORDERING INFORMATION

ORDER CODE	PACKAGING STYLE	PACK QTY.	ITEM STATUS
KTS-MW1-12V-AUX-CP	Carton Pack	TBD	Quick Ship

### CATALOG NUMBER BREAKDOWN

# KTS-MW1-12V-AUX-CP

- 1
- 2
- 3
- 4
- 5

- 1 Keystone Technologies Sensor
- 2 Microwave
- 3 Input Voltage
- 4 Auxiliary Port Connection
- 5 Packaging Style