



**Recessed Bath Vent/Light**

**FEATURES & APPLICATIONS**

**Features:**

Galvanized Housing Resists Humid Conditions & Changing Attic Temperatures, Unlike Plain Steel Housing Used in Many Vents

Housing has Ceiling/Wall Thickness Indicator Markings & Built-In Mounting Tabs for Quick Installation

Easy Remove & Install Motor Assembly with Keyhole Mounting Bracket

Permanently Lubricated Motor with Plug for Quick Activations

Built-In Junction Box for Easy Wiring

Molded Fan Blade - Precision Balanced for Quiet Operation

Molded Duct Adaptor with Built-In Damper

Attractive White Recessed Trim

Medium Base Lampholder Included

Maximum 75w Lamp (Not Included)

Units & Service parts are CSA Listed

**Applications:**

Single Family Homes - Apartments - Condos - Hotels & Motel - Public Restrooms

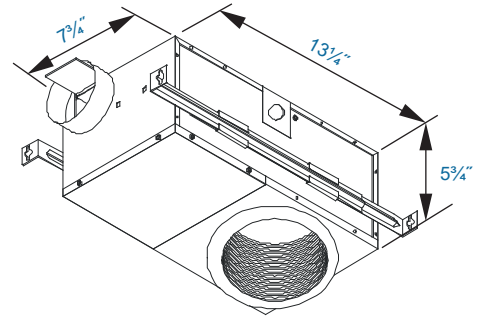
**Accessories Sold Separately**



**BFVR70L**



**DIMENSIONS**



**ORDER INFORMATION**

**ORDER NUMBER:**

**BFVR70L =**  
*Recessed Vent/Light, 70 CFM Airflow, 4" Duct, 50 dB, White Finish*

**OPTIONS:**

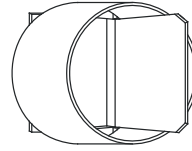
*See Next Page*

**BATH VENTS**

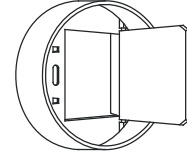
**ACCESSORIES**

**OPTIONS:**

*BFVA3 = 3" Duct Adapter*  
*BFVA4 = 4" Duct Adapter*



**BFVA3**



**BFVA4**

**ADDITIONAL INFORMATION**

**RECESSED  
 LIGHTLOOK**