

SPECIFICATION SHEET

DTS SERIES MULTIPURPOSE CONTROLS 1, 2 OR 4 CHANNEL 365/7 DAY ADVANCE TIME SWITCH

APPLICATIONS

- Indoor and outdoor lighting, heating and air conditioning.
- Security systems, horns and bells.
- Low voltage lighting, Misting and spraying.
- Roof cooling, process functions and clock correction systems.

FEATURES

SCHEDULING:

99 ON/OFF set points allow individual programs for each day of the week at a minimum 1 minute apart.

SEASONS:

1 to 4 with different daily schedules which can wrap around into the new year.

HOLIDAYS:

1 to 24 individual dates.

SIGNAL/PULSE DURATION:

2 different settings per channel: each 1-99 seconds.

DAYLIGHT SAVING:

Automatic adjustment (can be omitted).

LEAP YEAR:

Automatic Compensation.

MANUAL OVERRIDE:

Until the next regularly scheduled ON or OFF, automatic operation then resumes. In signal mode, activates pulse.

CLOCK FORMAT:

AM/PM or 24 Hour Format.

POWER OUTAGE BACKUP:

Permanent schedule retention. Supercapacitor provides 7 days of real time back up.

SPECIFICATIONS

TIMING ACCURACY:

Line Frequency.

INPUT VOLTAGE:

120/208-277VAC, 50/60Hz.

TERMINAL RANGE:

#14 - #16AWG for line input. #12 - #16AWG load outputs.

OPERATING TEMPERATURE:

-40 °F to 149 °F (-40 °C to 65 °C).

POWER CONSUMPTION:

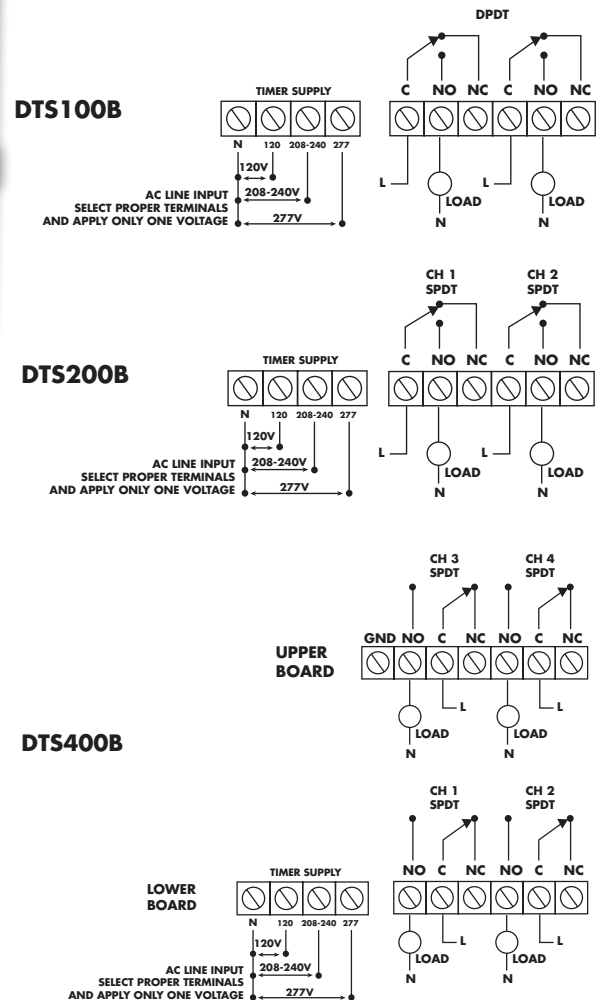
6VA Max.

ENCLOSURE:

Noryl[®] Indoor/Outdoor NEMA 3R with lockable hasp.



WIRING DIAGRAM



ORDERING INFO

CAT. NO.	UPC CODE	TIMER SUPPLY (VAC) 50/60Hz	NO. OF CHANNELS	DRY CONTACTS (UNPOWERED)
DTS100B	82185	120/208-240/277	1	DPDT
DTS200B	82186	120/208-240/277	2	SPDT
DTS400B	82187	120/208-240/277	4	SPDT

CONTACT RATINGS

TYPE	DTS100B, DTS200B			DTS400B		
	VOLTAGE (VAC)	RATING NO	RATING NC	VOLTAGE (VAC)	RATING NO	RATING NC
General Purpose	24-277	30A	30A	24-277	20A	20A
Ballast	120	30A	10A	120-277	13A	-
	277	20A	10A			
Tungsten	120-277	15A	2A	120	8A	
Pilot Duty	120-277	720VA	720VA	120-277	720VA	360VA
Motor Load	120	1HP	1HP	120/240	1/2HP	1/2HP
	208-277	2HP	2HP			
Resistive	28VDC	30A	30A	-	-	-