

290 ALTO IV

MANSFIELD®


Vitreous China, Pedestal Lavatory

FEATURES

- 25" x 19" pedestal lavatory
- 20-1/2" x 12-3/8" basin
- 34-1/4" luxury height
- Concealed front overflow
- Available in single-hole, 4" or 8" faucet centers
- Mansfield® limited lifetime warranty
- Available in White, Biscuit and Bone



COMPONENTS

MODEL #	DESCRIPTION	CODES/STANDARDS
290	Lavatory with pedestal. Less faucet, drain assembly and supply. Specify color.	
292-1	Lavatory with single hole faucet center. Less faucet, drain assembly and supply. Specify color.	
292-4	Same as above with 4" faucet centers. Specify color.	
292-8	Same as above with 8" faucet centers. Specify color.	
293	Pedestal only. Specify color.	



290 ALTO IV



Vitreous China, Pedestal Lavatory

SPECIFICATIONS

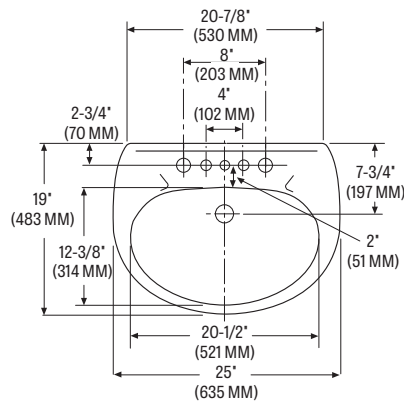
MODEL #	DESCRIPTION	CODES/STANDARDS
290	25' x 19' pedestal lavatory	

MATERIAL	Vitreous China
WARRANTY	Vitreous China - Limited Lifetime
FAUCET HOLES	Single Hole, 4' or 8'

SHIPPING WEIGHT	Model 292 - 40 lbs. (18 kg) Model 293 - 15 lbs. (7 kg)
-----------------	-----------------------------------------------------------

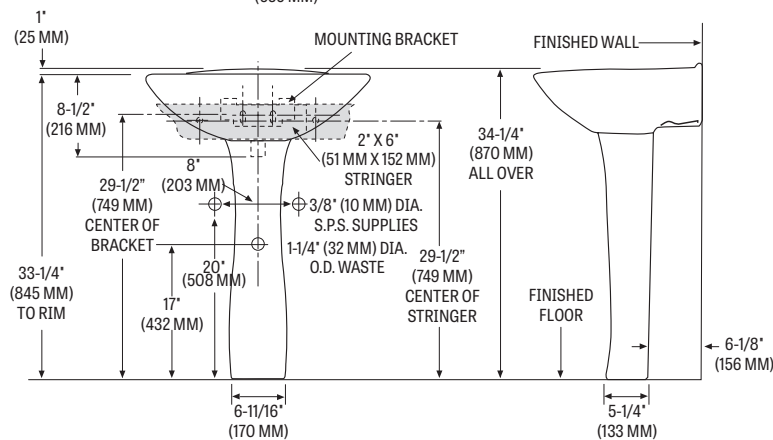
TECHNICAL INFORMATION

Note: these dimensions are nominal and subject to change without notice.



All Mansfield® wall-mount lavatories are supplied with this exclusive one-piece steel hanger. Easily installed and adjusted, it contains 7 holes for solid mounting against wall. Anchoring screw must be used for correct installation. Standard plumbing practice recommends use of both mounting bracket and anchoring screws.

NOTE: For secure installation, wall-mounting hanger should be fastened to solid, support wall stud.



Fixture performance and specifications meet or exceed ASME A112.19.2-2013/CSA B45.1-13 standards, and other state and local codes.

