



**PUSH WIRE® connector for junction boxes; 4-conductor terminal block; transparent housing; orange cover**

Item No.: 773-104



---

*PUSH WIRE® connector for junction boxes; 4-conductor terminal block; transparent housing; orange cover*

**Marking**

RoHS ✓  
Compliant

**Business data**

Supplier	WAGO
Item no.	773-104
GTIN / EAN	4044918397629
Content	1
Order amount	100
Customer item number	

**Notes**

*Safety information 2: When using conductors of exclusively the same cross section, 0.75 mm<sup>2</sup>/AWG 18 is also possible.*

**Technical data**

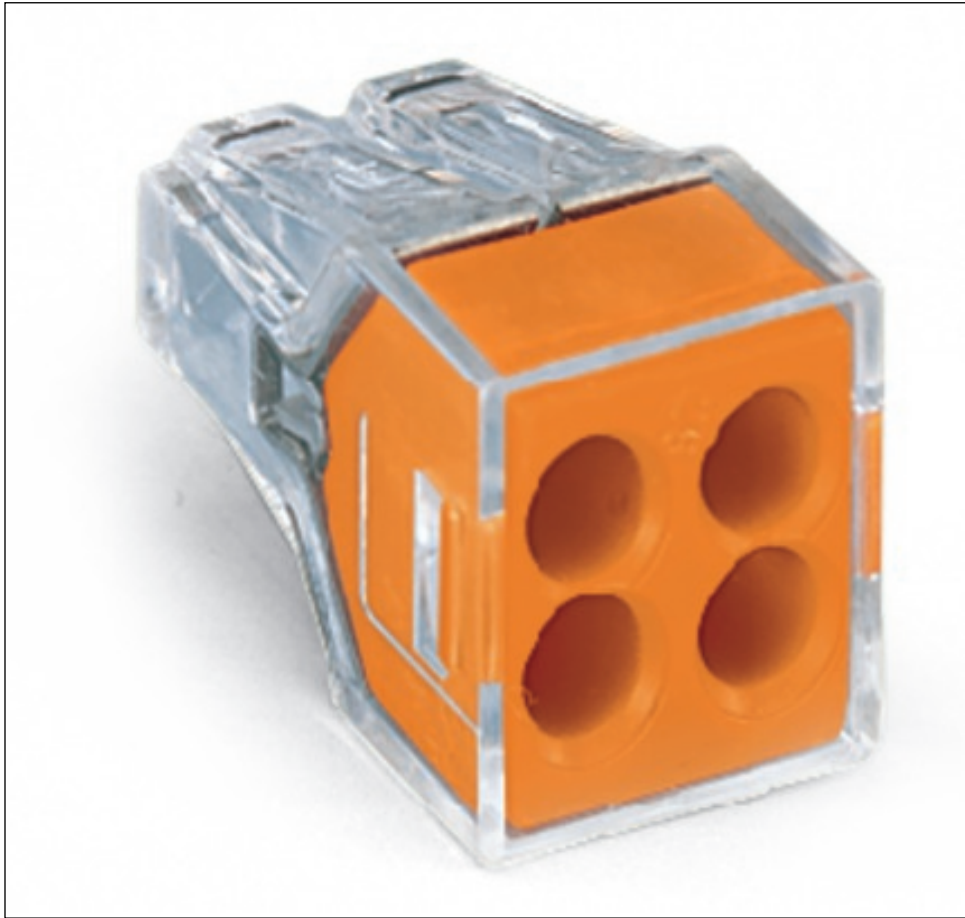
*Miscellaneous*

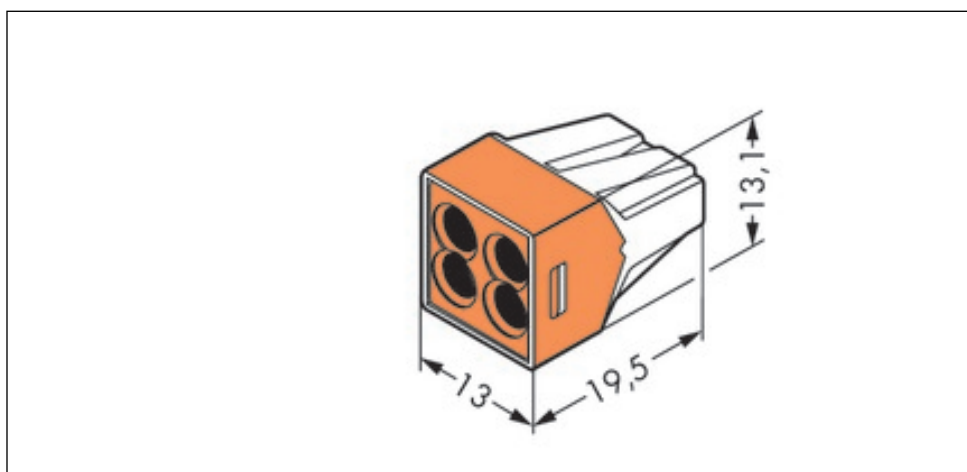
Safety information 1	In grounded power lines
Packaging type	BOX
Ratings per	IEC/EN 60664-1
Rated voltage (II / 2) [V]	400 [V]

Printview: PUSH WIRE® connector for junction boxes; 4-conductor terminal block; transparent housing; orange cover - Item No.: 773-104

<b>Technical data</b>	
<i>Rated impulse voltage (II / 2) [kV]</i>	4 [kV]
<i>Rated current [A]</i>	24 [A]
<i>Legend (ratings)</i>	<i>(II / 2) Overvoltage category II / Pollution degree 2</i>
<i>Type of wiring</i>	<i>Side-entry wiring</i>
<i>No. of poles</i>	4
<i>Total number of connection points</i>	4
<i>Total number of potentials</i>	1
<i>Connection technology</i>	<i>Push-in CAGE CLAMP®</i>
<i>Number of connection points (connection type)</i>	4
<i>Actuation type</i>	<i>Push-in</i>
<i>Connectable conductor materials</i>	<i>Copper</i>
<i>Solid conductor</i>	<i>0.75 ... 2.5 mm<sup>2</sup> / 18 ... 12 AWG</i>
<i>Stranded conductor</i>	<i>1.5 ... 2.5 mm<sup>2</sup> / 16 ... 12 AWG</i>
<i>Strip length</i>	<i>12 mm / 0.47 Inch</i>
<i>Width</i>	<i>13 mm / 0.512 Inch</i>
<i>Height</i>	<i>13.1 mm / 0.516 Inch</i>
<i>Depth</i>	<i>19.5 mm / 0.768 Inch</i>
<i>Cover color</i>	<i>orange</i>
<i>Flammability class per UL94</i>	V2
<i>Fire load [MJ]</i>	<i>0.055 [MJ]</i>
<i>Weight [g]</i>	<i>2.511 [g]</i>
<i>Ambient temperature (operation)</i>	60 °C

Images & drawings





#### Address

WAGO Kontakttechnik GmbH & Co. KG

Hansastr. 27

32423 Minden

Telefon: 0571/887-0

Fax: 0571/887-169

<http://www.wago.com>

© WAGO Kontakttechnik GmbH & Co. KG

Technische Änderungen und Irrtümer vorbehalten.