

5121TDRI-HK

Testable 1-1/2" Schedule 40 PVC Bath Waste/Overflow Rough-in Half Kit

Project Name: _____

Project Number: _____

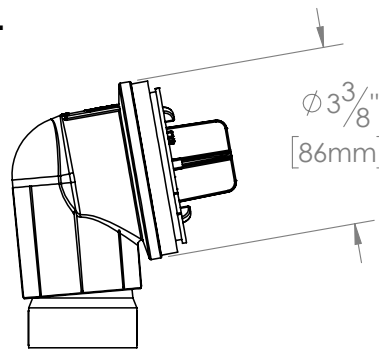
Fixture #

Description:

**PVC Offset style 1-1/2" Schedule 40 PVC Solvent Weld
Testable Bath Waste/Overflow Rough-in Half Kit**

Features:

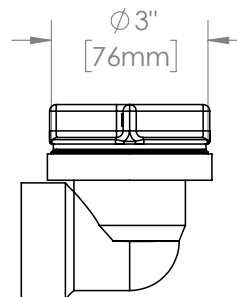
- Half Kit (less Tee and Pipe)
- Angle Adaptor (use optional)
- Spin-on TiePlate
- Thread-in Test Plug (Overflow).
- Thread-in Test Plug (Waste)



*Certification



*The "cSAus Meets UPC" mark means the product conforms to the requirements of the NPC, UPC, IPC and IRC.



Oakville Stamping and Bending Ltd.

2200 Speers Road, Unit C. Oakville, ON. Canada. L6L 2X8.
T. 905.827.0320 or toll free 1.877.314.6040 F. 905.827.6375 or toll free 1.877.827.6040.

All rights reserved. OS&B™ reserves the right to change product specifications and material or discontinue models without notice.

www.osb.ca (Canada) www.osbplumbing.com (USA)