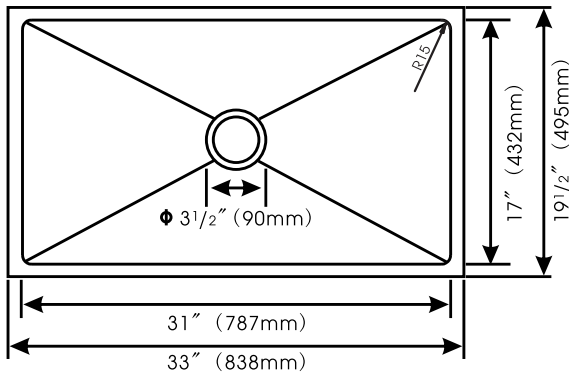




Product Compliance:
 • ASME A12.19.3-2008 / CSA B45.4-08



Model	Depth	Gauge
482-0253	10"	18G

33" x 19" Under-Mount Single Bowl Sink

FEATURES

- * Premium Grade T-304 Stainless Steel
- * R15 Radius Corner for Easy Cleaning
- * 10" Depth • 18 Gauge
- * Lustrous & Beautiful Soft Brush Satin Finish
- * Sophisticated, Fashionable, Distinctive Style
- * Highlighted Rim
- * 3-1/2" Drain Opening
- * Heavy Duty Sound Deadening Pads Plus Fully Coating Underneath
- * Supplied With Fasteners And Instructions
- * Cutout Template (DXF File Available)
- * Limited Lifetime Warranty

Optional Accessories



Basket Strainers



Deep Cup Basket Strainers



Soap Dispensers

Project / Job Name			
Architect / Engineer			
Contractor			
Model		Quantity	
Notes :			