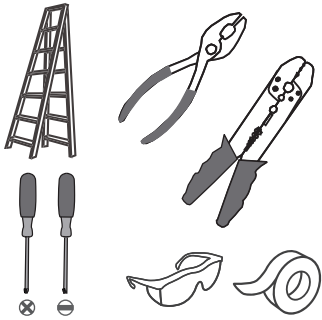
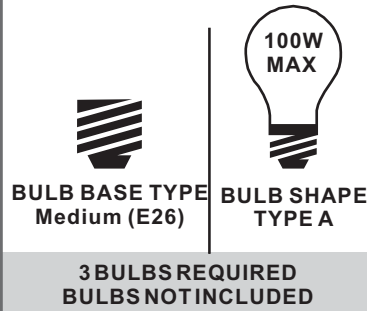


**Tools Required**



**Light Source**



**Warnings and Cautions**

Turn off the electricity at the circuit breaker before installation. Consult a licensed electrician if in doubt about installation.

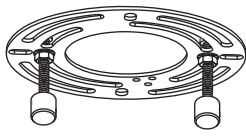
Turn off power to the fixture and allow the bulbs to cool before replacing.

**Package Contents**

**Preparation:** Identify and inspect all parts before beginning the installation.

Missing or damaged parts? Contact your original place of purchase.

**PARTS BAG**



**A** Crossbar Assembly x 1



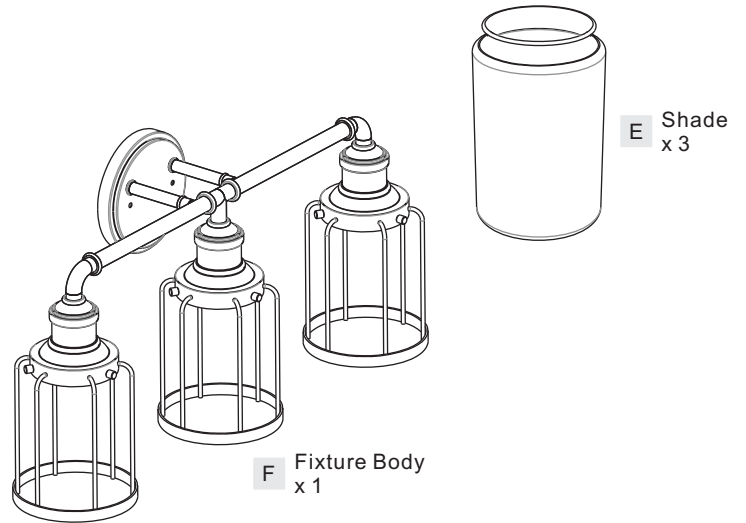
**B** Alternate Mounting Screw x 2



**C** Outlet Box Screw x 2



**D** Wire Connector x 3



**F** Fixture Body x 1

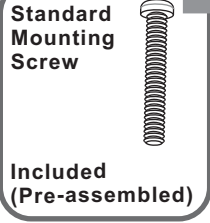
**E** Shade x 3

**Table of Contents**

Alternate Mounting Screw	Crossbar Assembly	Wiring	Fixture Body	Bulb&Shade
<b>STEP 1</b>	<b>STEP 2</b>	<b>STEP 3</b>	<b>STEP 4</b>	<b>STEP 5</b>

# STEP 1

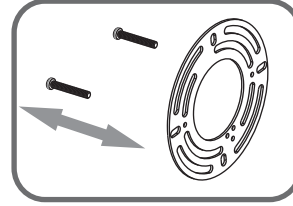
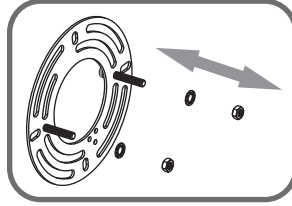
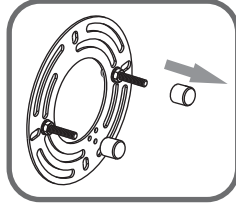
OPTION 1



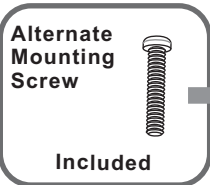
skip to next page

1 2 3

Steps 1-3 to remove standard mounting screws



OPTION 2



Steps 4-6 to reassemble with alternate mounting screws

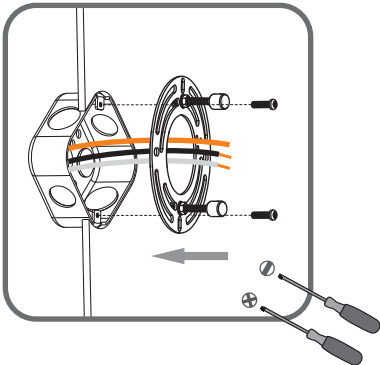
6

5

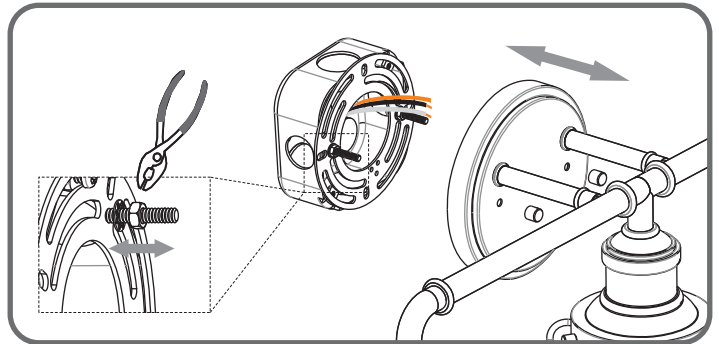
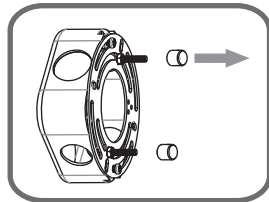
# STEP 2

1 2 3

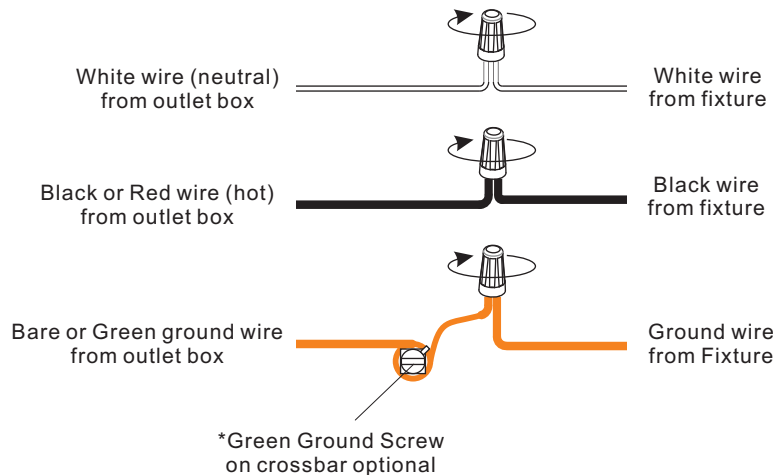
Step 1  
Install crossbar assembly



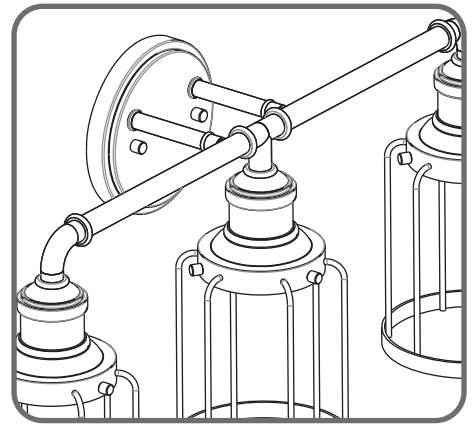
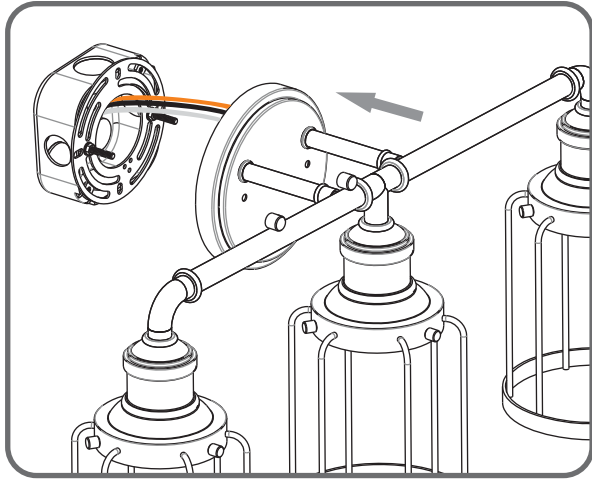
Step 2 - 3  
Test fitting backplate to mounting screws



# STEP 3



**STEP 4**



**STEP 5**

