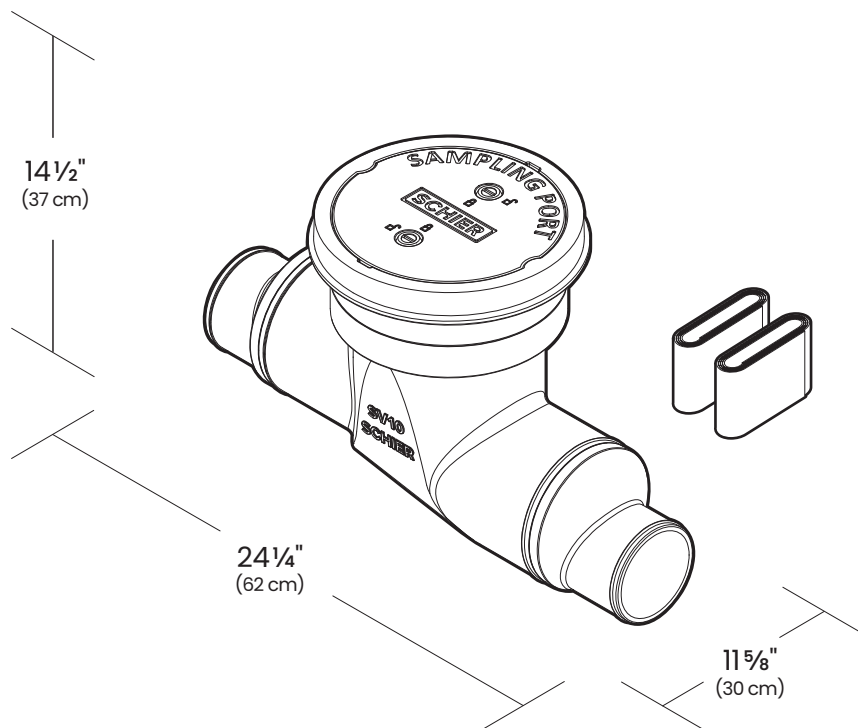


SPECIFICATION AND SUBMITTAL

SV10 Wastewater Sampling Port



SUBMITTAL

Standard

Location: Indoor/Outdoor

Installation: Above/Below grade

Weight: 9 lbs.

Connections: 4" (100 mm) and 6" (150 mm) Plain End

Cover: Cam Locked Gas/Water Tight

Polyethylene with 16,000 lb. H₂O load rating

Options

- FCR10** >0" – 31" Field Cut Riser
- FCR10 (x2)** >31" – 64" Field Cut Risers
- FCR10 (x3)** >64" – 97" Field Cut Risers

Approval

Signature:	Date:	Company:
Specifying Engineer:		Engineering Firm:



MODEL NUMBER:
SV10

DESCRIPTION: Polyethylene Wastewater Sampling Port

PART #: 8065-001-01

DWG BY: B. Karrer

DATE: 3/1/2020

REV:

ECO:



SPECIAL PRECAUTIONS

For Schier Grease Interceptor Installations - Failure to follow this guidance voids your warranty

WARNING! DO NOT AIR TEST UNIT OR RISER SYSTEM!
Doing so may result in property damage, personal injury or death.

CAUTION! Do not install this unit in any manner except as described in these instructions.

Read all instructions before installation Install in conformance with all local codes

2 Install sampling port as close as possible to and downstream from interceptor being served

3 Provide at least 16" clearance above unit for routine maintenance.

16" min.

4 3 Risers (97") Max

5 Max Water Level
Risers are not designed to retain water

6 **ODOR ALERT!**
Do not install air gap on outlet side of sampling port.



SCHIER

MODEL NUMBER:
SV10

DESCRIPTION: Polyethylene Wastewater Sampling Port

PART #: 8065-001-01

DWG BY: B. Karrer

DATE: 3/1/2020

REV:

ECO:

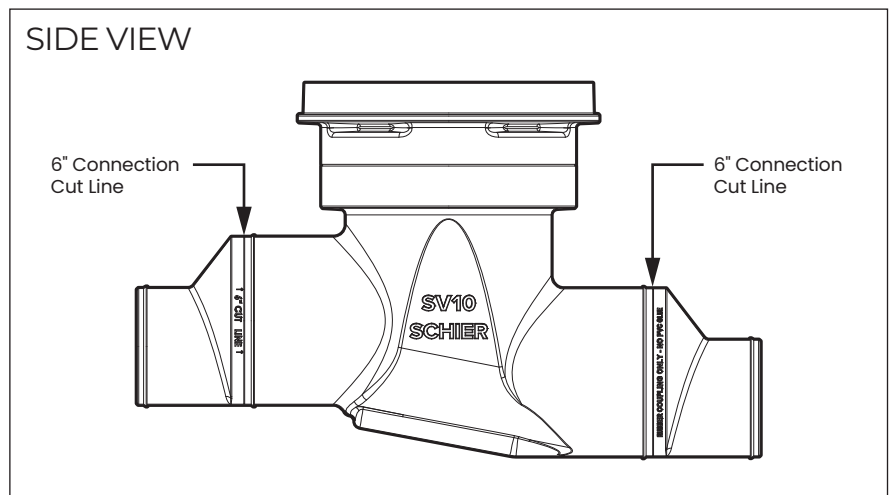
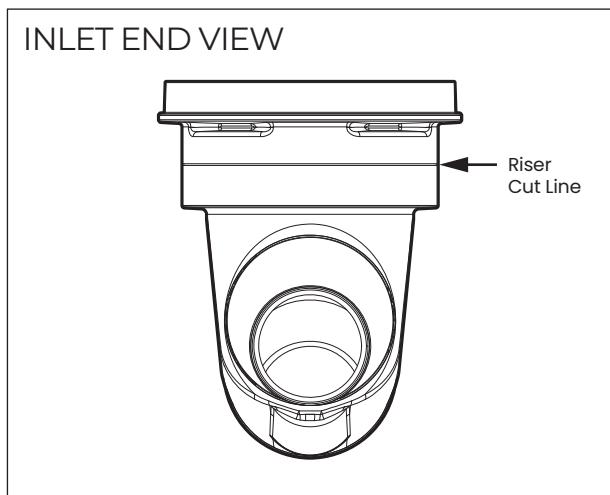
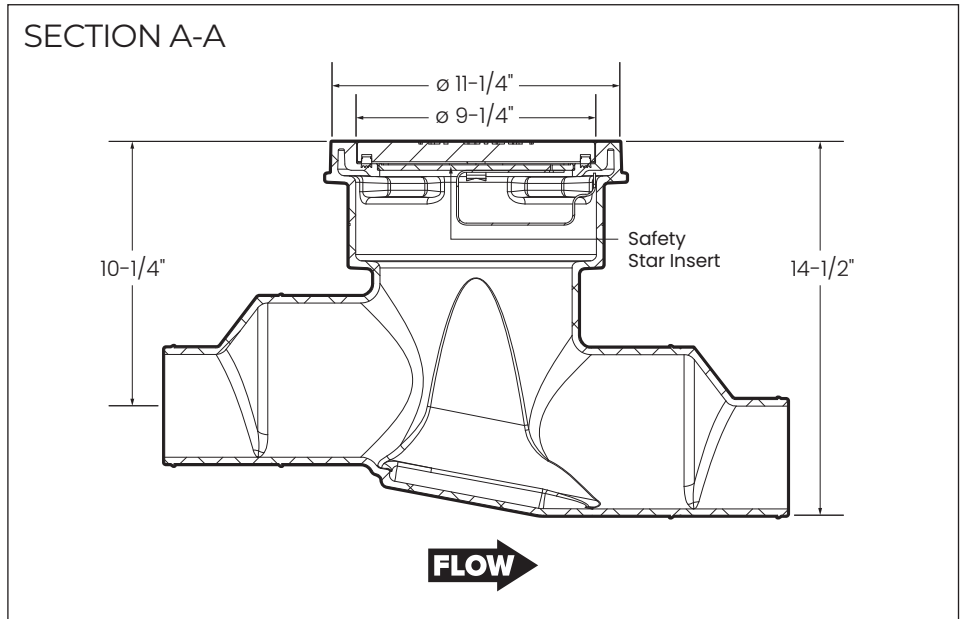
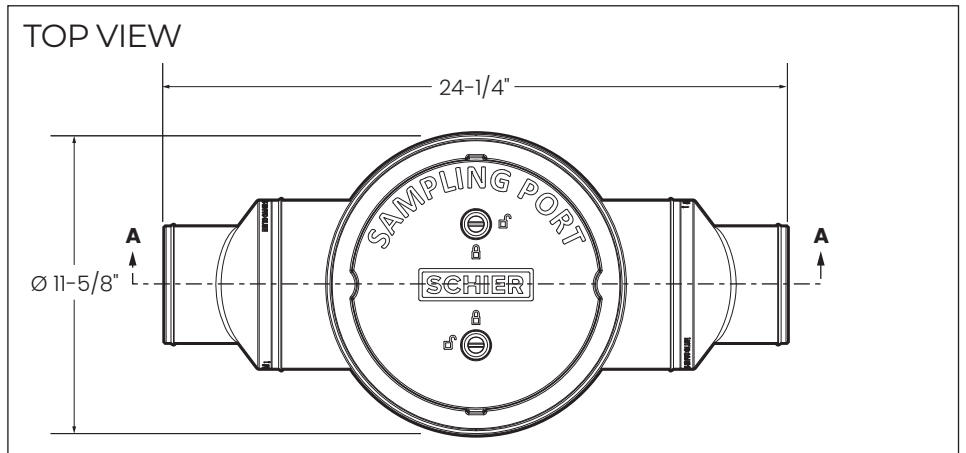
SPECIFICATIONS

NOTES

1. 4" plain end inlet/outlet
(field modifiable to 6" plain end)
2. Unit weight: 9 lbs.;
3. Maximum operating temperature:
150° F continuous
4. Offset connections
5. 2 rolls of 33" x 2" butyl mastic tape provided for
sealing build-your-own riser joints.

ENGINEER SPECIFICATION GUIDE

Schier Sewer Viewer™ sampling port model # SV10 shall be lifetime guaranteed and made in USA of seamless, rotationally-molded polyethylene. Sampling port shall be furnished for above or below grade installation. Cover shall provide water/ gas-tight seal and have maximum 16,000 lbs. load capacity.



SCHIER

MODEL NUMBER:
SV10

DESCRIPTION: Polyethylene Wastewater Sampling Port

PART #: 8065-001-01

DWG BY: B. Karrer

DATE: 3/1/2020

REV:

ECO: