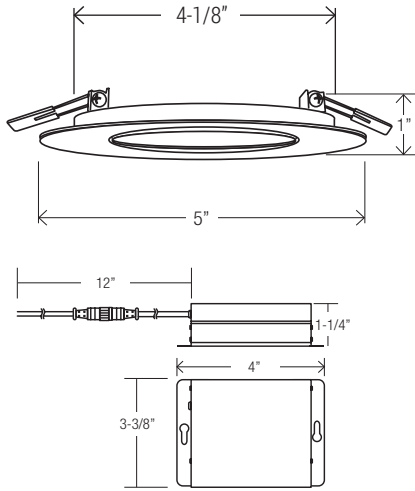




EASY 5 COLORS
SELECTOR
2700K • 3000K • 3500K • 4000K • 5000K



FEATURES

A high performance 4" LED luminaire, engineered for New Construction, Remodel or Retrofit to accommodate insulated or dropped ceiling installations. Easily installed and supplied with a remote driver. Its small aperture and shallow depth make it an ideal choice for unlimited applications.

LUMENS	550, 850
CCT	27K/30K/35K/40K/50K
CRI	90+
COLOR QUALITY	3-Step MacAdam Ellipse
TRIM	Cast aluminum trim
FINISH	WH (White)
DIMMING	DIMTR (Triac)
LIFETIME	50,000 Hours

NOMINAL LUMENS	DELIVERED LUMENS	WATTAGE
550	605	9W
850	xxx	12W

Based on 4000K, 90+ CRI. Actual wattage may vary +/- 5%

INSTALLATION

- Cut hole in ceiling and snap fixture in opening with attached spring clips. Space in ceiling needed for the driver to fit through the ceiling height – 3".

- Cast aluminum trim
- Dimmable
- Type IC Rated – Approved for direct contact with insulation
- Air-tight and damp location approved
- Fast and easy to install in limited space locations
- External driver factory mounted inside connection box - 120V
- New construction rough-in plates and jumper cables available
- Available Temperatures (2700K/3000K/3500K/4000K/5000K)
- 50,000 Hours Life
- 5 Year Warranty
- OUTPUT: Default Driver Voltage: 120V AC 60 Hz (Dimmable)
- AMBIENT TEMPERATURE: -40°F (-40°C) to +104°F (+40°C)

EXAMPLE: **RL475-550L-DIMTR-120-27K/30K/35K/40K/50K-90-WH**

TYPE	LUMEN	CCT	CRI	FINISH	INSERTS	OPTIONS
RL475	<input type="checkbox"/> 550L-DIMTR-120 <input type="checkbox"/> 850L-DIMTR-120	<input type="checkbox"/> 27K/30K/35K/40K/50K	<input type="checkbox"/> 90+	<input type="checkbox"/> WH-White	<input type="checkbox"/> RL475-RT-BZ-Bronze <input type="checkbox"/> RL475-RT-BK-Black <input type="checkbox"/> RL475-RT-CH-Chrome <input type="checkbox"/> RL475-RT-CP-Copper <input type="checkbox"/> RL475-RT-SN-Satin Nickel	<input type="checkbox"/> RL-ACC-SLIM-1-10F <input type="checkbox"/> RL-ACC-SLIM-1-20F <input type="checkbox"/> RL-UNV-4/5/6 <input type="checkbox"/> RL-ACC-SLIM-4-ROUGHPLATE

OPTIONS

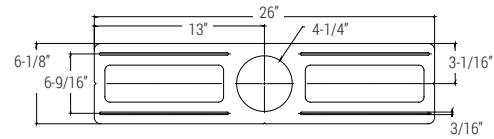
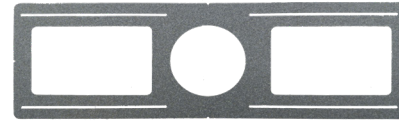
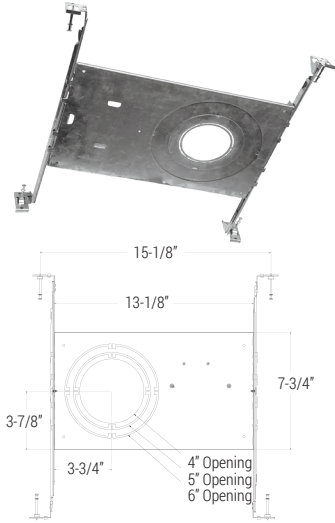


RL-ACC-SLIM-1-10F
10-ft long extension



RL-ACC-SLIM-1-20F
20-ft long extension

MOUNTING



RL-UNV-4/5/6
Multi-size: 4", 5", 6"
new construction pre-mounting plate with collar for use with screw down "C" style remodel housings

RL-ACC-SLIM-4-ROUGHPLATE
The MP3 is a 4" new construction pre-mounting plate with collar for use with screw down "C" style remodel housings

COLOR INSERTS



RL475-RT-BZ
(Bronze)



RL475-RT-BK
(Black)



RL475-RT-CH
(Chrome)



RL475-RT-CP
(Copper)



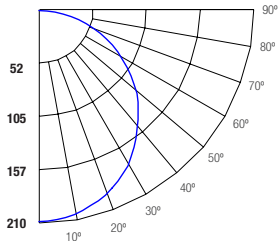
RL475-RT-SN
(Satin Nickel)

RL475-550L-DIMTR-120-27K/30K/35K/40K/50K-90-WH

TEST NO.: **EL05281984**

INPUT WATTS: **9.4** LUMENS: **605** CRI: **90** EFFICACY: **64** CCT: **4000K** SPACING CRITERIA: **1.38**

Candle Power Distribution (Candelas)



Zonal Lumens Summary

Zone	Lumens	%Lamp	%Fixt
0-20	76.44	12.60	12.60
0-30	162.14	26.80	26.80
0-40	265.19	43.90	43.90
0-60	468.75	77.50	77.50
0-80	589.71	97.50	97.50
0-90	604.69	100.00	100.00

Luminance (Average candela/M²)

Angle in Degrees	Average 0°	Average 45°	Average 90°
45	30281	29941	29713
55	29850	29142	28487
65	29216	28180	26567
75	28897	27033	24012
85	28889	26602	2793

Lumens Per Zone

Zone	Lumens
0-10	19.81
10-20	56.63
20-30	85.71
30-40	103.05
40-50	106.63
50-60	96.92
60-70	75.12
70-80	45.84
80-90	14.98

Candela Tabulation

0	5	15	25	35	45	55	65	75	85	90
209.70	208.52	200.61	186.82	165.74	140.74	112.54	81.16	49.16	16.55	0.24

Coefficients of Utilization - Zonal Cavity Method
Effective Floor Cavity Reflectance 0.20

ROOM CAVITY RATIO	RC	80%				70%				50%				30%				10%				0%			
		70%	50%	30%	10%	70%	50%	30%	10%	50%	30%	10%	50%	30%	10%	50%	30%	10%	50%	30%	10%				
0	119	119	119	119	116	116	116	116	111	111	111	106	106	106	102	102	102	102	100	100	100				
1	108	103	99	95	106	101	97	93	97	94	90	93	90	86	89	87	85	83	83	83	83				
2	98	90	83	77	96	88	82	76	84	79	74	81	77	73	78	74	71	69	69	69	69				
3	90	79	70	64	87	77	69	63	74	68	62	71	66	61	69	64	60	58	58	58	58				
4	82	70	61	54	80	68	60	54	66	59	53	63	57	52	61	56	51	49	49	49	49				
5	75	62	53	46	73	61	52	46	59	51	46	57	50	45	55	49	45	42	42	42	42				
6	69	56	47	40	68	55	46	40	53	46	40	51	45	39	50	44	39	37	37	37	37				
7	64	51	42	36	63	50	41	36	48	41	35	47	40	35	46	39	35	33	33	33	33				
8	60	46	38	32	58	46	37	32	44	37	31	43	36	31	42	36	31	29	29	29	29				
9	56	42	34	29	55	42	34	28	41	33	28	40	33	28	39	32	28	26	26	26	26				
10	53	39	31	26	51	39	31	26	38	31	26	37	30	26	36	30	25	24	24	24	24				

Cone of Light			
2	52.4	6.1	5.8
4	13.1	12.2	11.7
6	5.83	18.3	17.5
8	3.28	24.4	23.3
10	2.1	30.6	29.2
12	1.46	36.7	35

BEAM DIA. MEASURED AT 50% OF NADIR F.C.

RC - Ceiling Cavity Reflectance RW - Wall Reflectance