

680 TOPAZ™ Premium Fiberglass Bathtub Wall

Direct-To-Stud Mounted, Code Accepted



Mustee model 680WHT shown with bathtub model T6030R.



Mustee 680 TOPAZ™ gives you the high quality and great design you want for your bathroom, complimenting Mustee's fiberglass TOPAZ™ bathtubs. Mustee 680 bathtub walls are the perfect impressive finishing touch to any 30" x 60" bathtub installation!

Features

- Produced from reinforced, molded fiberglass for a durable finish
- Fits TOPAZ™ Bathtub, as well as most standard 30" x 60" bathtubs
- Three panel wall system with tongue-and-groove seams to create a watertight wall surround
- Mounts direct-to-stud with mounting flanges hidden behind drywall
- Embossed tile decorative trim includes three molded-in, self-draining shelves
- Smooth, colorfast semi-gloss finish
- Mold and mildew-resistant...easy to clean

Code Accepted

TOPAZ™ and bathtub walls meet or exceed performance requirements

- American Society of Testing & Materials (ASTM) E-84 
- American National Standards Institute (ANSI) Specification Z 124-2017 
- CAN/ULC S102-07 Burn and Smoke Test



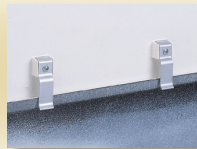
Includes three self-draining molded shelves. Stylish tile patterning molded in across the walls.

Design Features

Self-aligning side panels with tongue-and-groove seams



Reverse side of center panel has clips for securing to bathtub



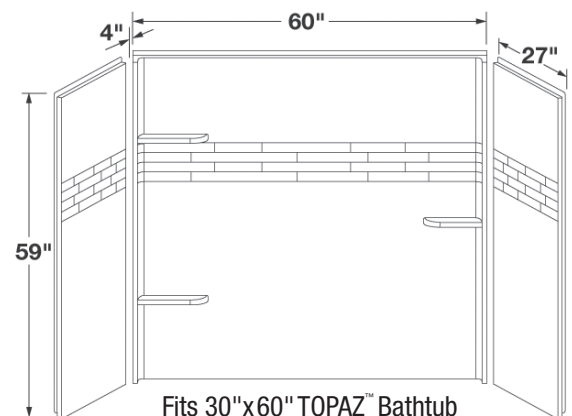
1" flanges fasten direct-to-studwalls with screws



Model	Description	Color	Fits Bathtub
680WHT	Bathtub Wall	White	T6030L
680WHT	Bathtub Wall	White	T6030R

Specifications

General: Furnish and install as shown on plans, E. L. Mustee & Sons, Inc. 680 TOPAZ™ bathtub walls semi-gloss, three-piece wall system. Construction shall be molded, reinforced fiberglass using matched metal models under extreme heat and pressure with a uniform thickness. Shall meet ANSI Specification Z 124-2017. Color: White. Install in compliance with local codes.



T6030R/L TOPAZ™ Premium Fiberglass Bathtubs



TOPAZ™ premium fiberglass bathtubs bring together classic design, exceptional features, premium construction and legendary E.L. Mustee & Sons quality. These popular 30" x 60" bathtubs feature the latest thinking in bathtub design & construction innovations.



TOPAZ™ Premium bathtubs...it's where your bathroom design takes a dramatic turn toward elegance.

Features

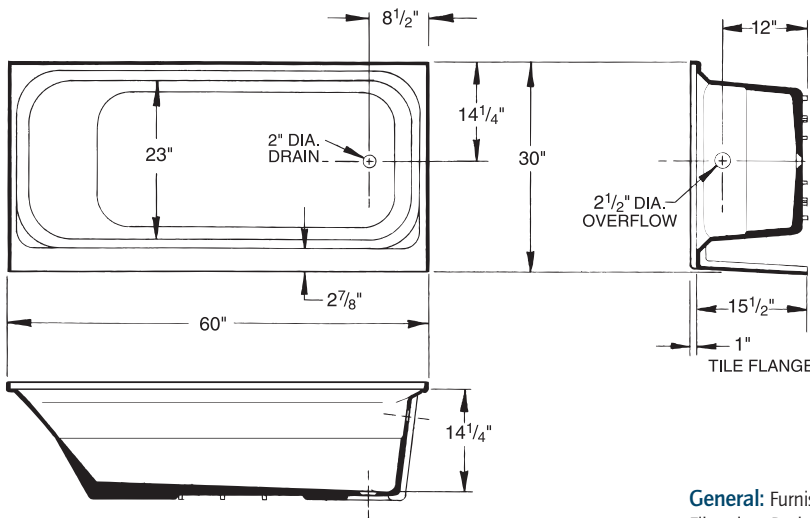
- Precision molded from Mustee's premium Varistone™ fiberglass
- Apron supported by 2 molded brackets
- Structural bottom and sides to prevent sagging
- Contoured back with a 40° lumbar slope for comfort
- Proprietary finish creates a deep, long lasting shine and scratch-resistant surface
- Slip-resistant bottom surface
- One piece molded, with matched metal molds
- Fits standard 30" x 60" alcove
- Available right hand & left hand with an 8 1/2" x 14 1/4" drain offset
- Suitable for use with all popular finished wall treatments
- Mold & mildew resistant—easy to clean

Code Accepted

TOPAZ™ and DURAWALL™ bathtub walls meet or exceed performance requirements

- American Society of Testing & Materials (ASTM)  D 635, E-84 and E-162
- American National Standards Institute (ANSI) Specification Z124-2011 
- Inhalation Toxicity Test – to evaluate inhalation health hazard with combustible products
- CAN/ULC S102-07 Burn and Smoke Test

Specifications



Model	Color	Description
T6030L	White	30" x 60" Bathtub, Left hand drain
T6030LBN	Bone	30" x 60" Bathtub, Left hand drain
T6030LBT	Biscuit	30" x 60" Bathtub, Left hand drain
T6030R	White	30" x 60" Bathtub, Right hand drain
T6030RBN	Bone	30" x 60" Bathtub, Right hand drain
T6030RBT	Biscuit	30" x 60" Bathtub, Right hand drain

General: Furnish and install as shown on plans, E.L. Mustee & Sons, Inc. TOPAZ™ Fiberglass Bathtub 30"x 60" right or left-handed Model _____. Construction shall be molded, reinforced fiberglass using matched metal molds under extreme heat and pressure. Shall meet ANSI Specification Z 124-2011. Color ____ White, Bone, Biscuit.