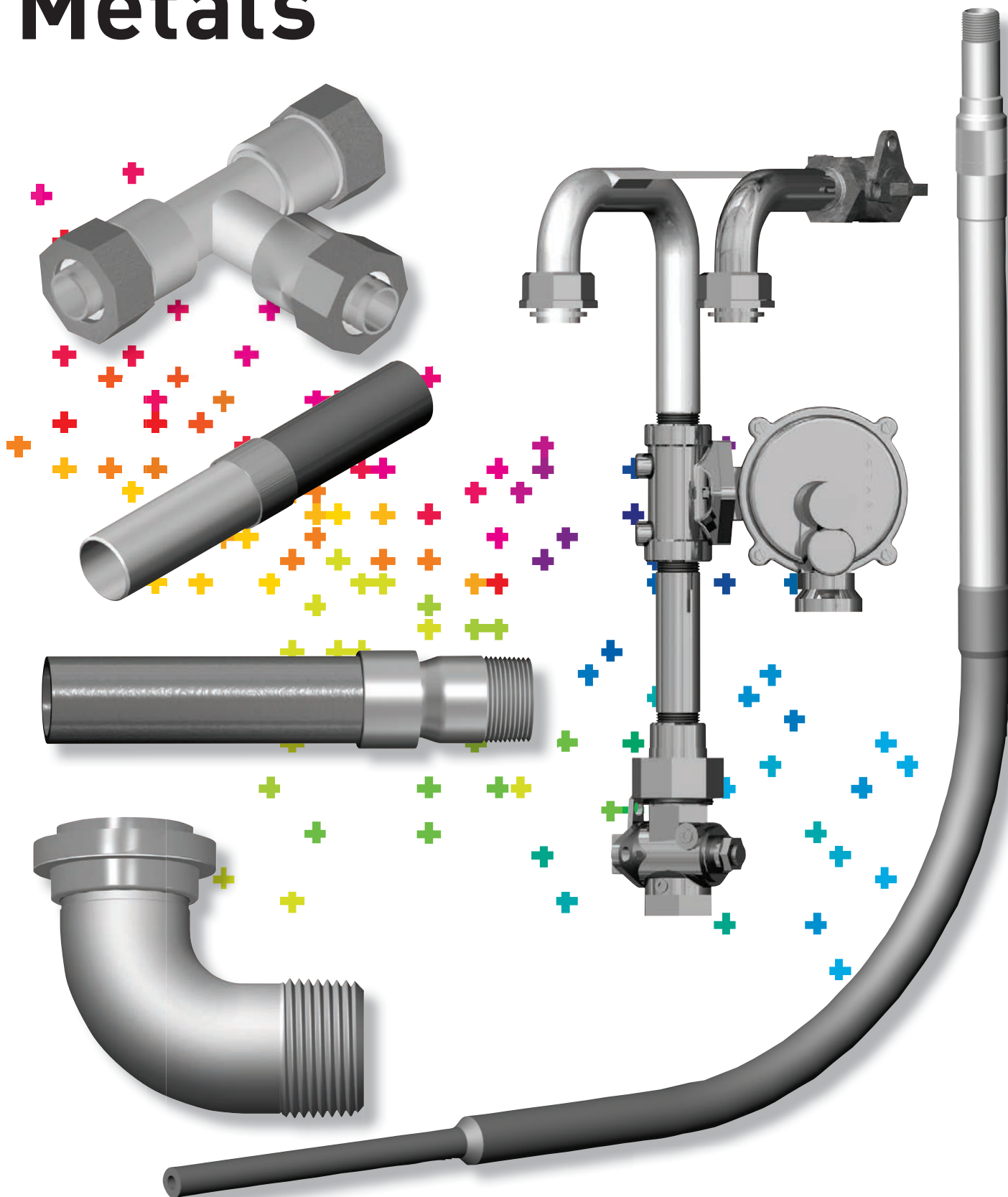


Metals



Disclaimer

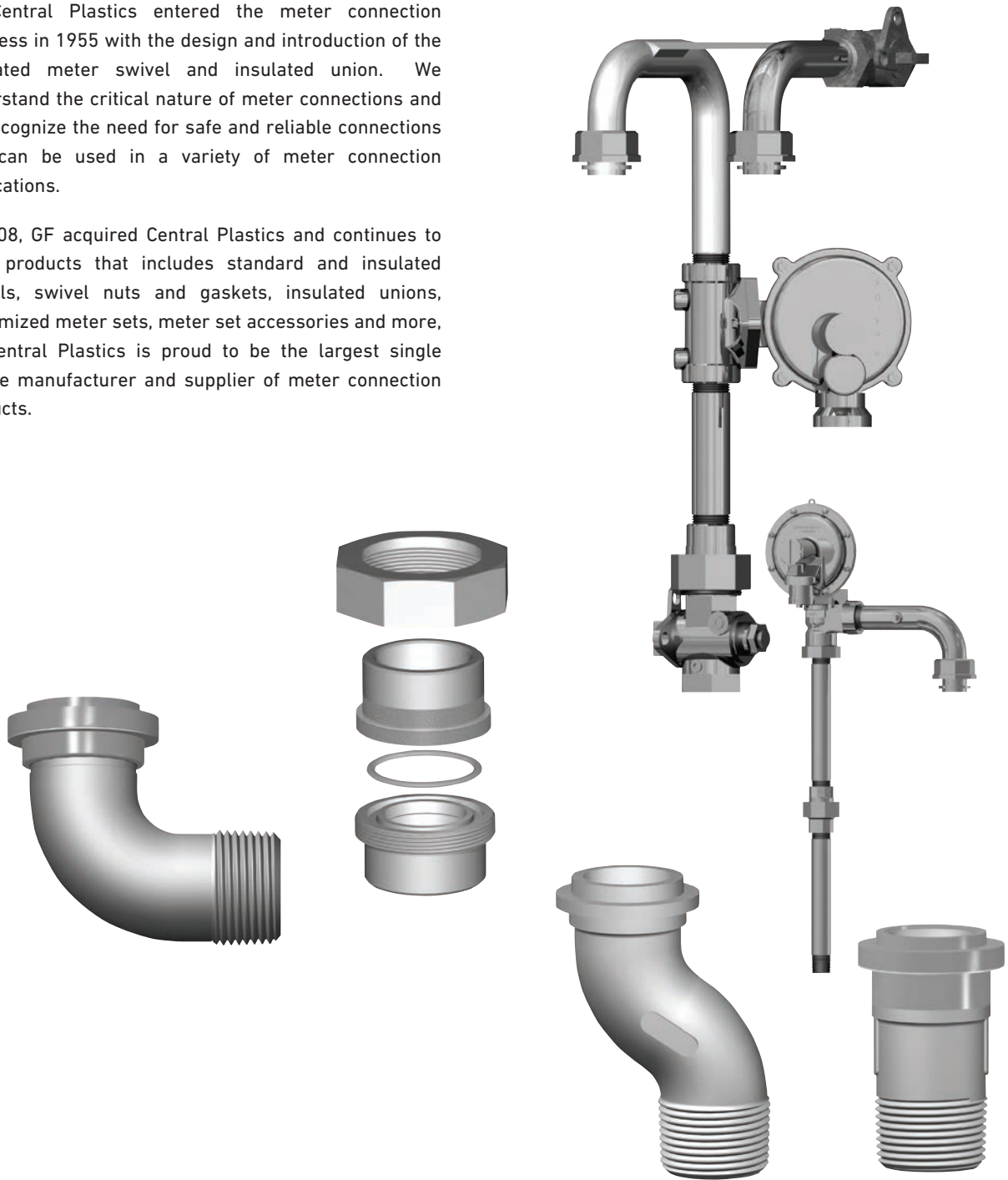
Information in the catalog

GF Central Plastics is as diligent as possible in compiling and updating the information in its catalog. However, GF Central Plastics does not guarantee the correctness and completeness of the information provided in its catalog. Equally, GF Central Plastics does not guarantee that this information is up to date. Drawings dimensions and weights, unless otherwise noted by tolerances, should be considered for reference only and may not reflect the exact physical measurements of the parts. For questions concerning our products, their specifications and their utilization please contact your local Regional Sales Manager or Customer Service Representative of GF Central Plastics. For comments concerning the product catalog, please email gfccentralmarketing@georgfischer.com.

Meter Connection Products: Overview

GF Central Plastics entered the meter connection business in 1955 with the design and introduction of the insulated meter swivel and insulated union. We understand the critical nature of meter connections and we recognize the need for safe and reliable connections that can be used in a variety of meter connection applications.

In 2008, GF acquired Central Plastics and continues to offer products that includes standard and insulated swivels, swivel nuts and gaskets, insulated unions, customized meter sets, meter set accessories and more, GF Central Plastics is proud to be the largest single source manufacturer and supplier of meter connection products.



Meter Connection Products: Meter Swivels

Standard, Insulated, Nuts and Gaskets

Prior to 1955, there was little a gas company could do to isolate their gas meters from the destructive effects of electrolytic and galvanic corrosion. In 1955, GF Central Plastics developed and introduced the first meter isolation solution – the insulated meter swivel. Today, the insulated meter swivel is used in over 90% of natural gas service systems throughout North America.

GF Central Plastics' meter swivels are manufactured for all types of gas meters and are interchangeable with standard connections, accepting standard meter nuts. Our meter swivels are available in a wide variety of styles and configurations that include: offset, straight, elbows, galvanized, black, insulated, non-insulated, male and female. All of GF Central Plastics' meter swivel parts are manufactured from malleable iron under strict quality guidelines in an ISO environment, where every product is monitored throughout the manufacturing process to ensure engineering criteria are maintained.

GF Central Plastics time-proven insulated meter swivels continue to be the most popular way to insulate gas meters worldwide. GF Central Plastics' insulation material covers the pilot, flange and externally extends up the body. The insulation is molded in place, which means there are no loose parts. This greatly simplifies assembly and eliminates the possibility of short-circuit caused by moisture. The pigmented insulation is



unaffected by ultraviolet rays, has high dielectric strength and is bonded to the metal with a weatherproof adhesive. A metal ring is installed on each swivel, serving as a bearing surface for the nut and preventing damage to the nylon.

Features

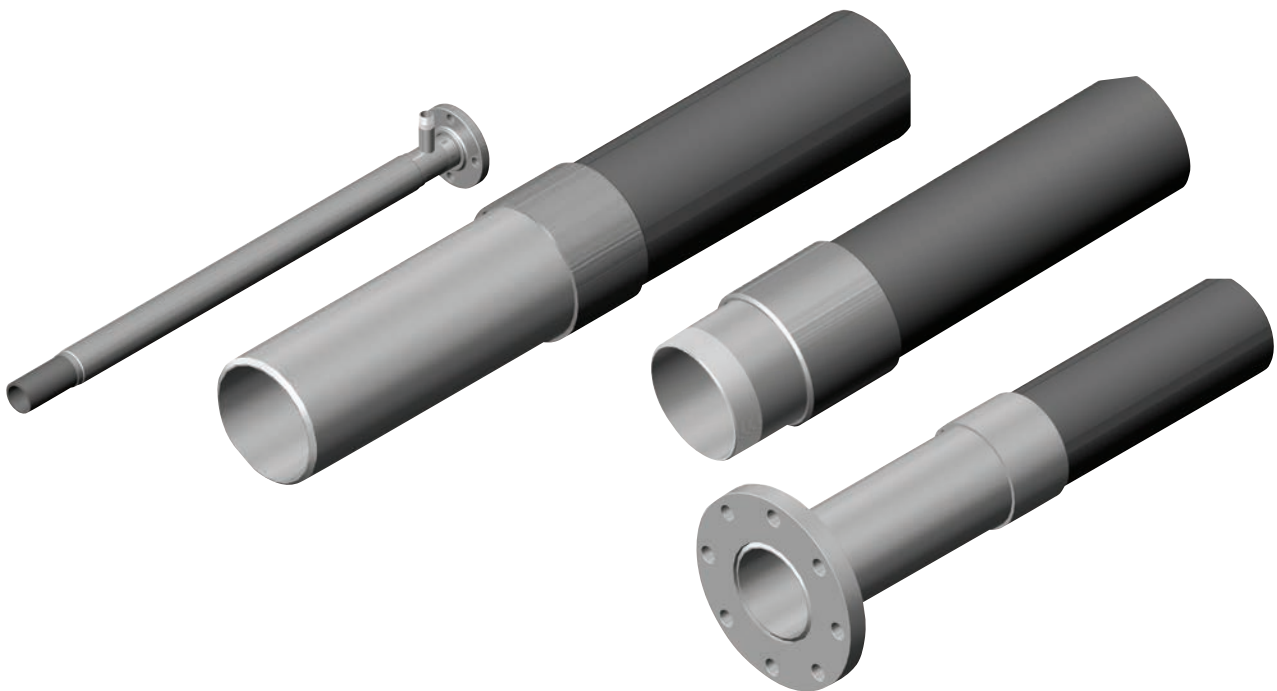
- Available in insulated and standard
- Available configurations - Straight, Offset, Female, Male and 90°
- Available sizes: 10Lt.–100Lt., 1A–5A, #2–#5
- Nuts
- Gaskets

Risers and Transitions: Overview

All the PE-to-Steel transition joints used in Risers and Transition Fittings produced by GF Central Plastics are designed to exceed the operating capabilities of the PE pipe in which it is installed. All joints, regardless of the market in which they are sold, are designed to meet or exceed ASTM D 2513 – Category 1 specifications as well as ASTM F1973.

ASTM D 2513, Category 1 specification requires that the fittings maintain a pressure-tight seal and able to maintain this seal while subjected to stresses that will cause the PE pipe to yield. Fittings used in applications where the expansion and contraction properties of PE pipe in addition to the normal stresses encountered during typical installations are mandated by most governing agencies to have a Category 1 rating.

Additionally, all GF Central Plastics' Risers and Transitions are designed to meet ASTM F1973 "Standard specification for Factory Assembled Anodeless Risers and Transitions Fittings in Polyethylene Fuel Gas Distribution Systems."



Risers and Transitions: Anodeless Risers

Since 1965, GF Central Plastics has offered a complete line of Anodeless Meter Risers for residential and commercial applications. Anodeless Meter Risers offer a simple, reliable, factory manufactured method for transitioning PE pipe from below ground to an above ground piping system. The polyethylene pipe remains the gas carrier until it is above ground, thereby minimizing underground corrosion concerns as well as eliminating the need for cathodic protection.

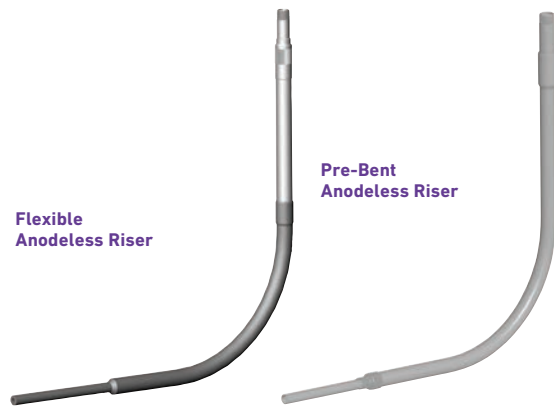
Anodeless Risers can be selected from a group of standard items or can be manufactured to meet the customer's specific requirements. A wide variety of options ensures that the need of the customer is met.

Features and Benefits

- PE-to-Steel transition joint is stronger than the PE pipe.
- Riser design utilizes an O-Ring for added security for extreme conditions.
- No gas-carrying welds are utilized in the riser design.
- All products are protected with an electrostatically-applied fusion-bonded epoxy powder coating specifically designed for the exterior of gas petroleum pipelines.
- Risers can be manufactured to meet custom specifications.
- No Cathodic protection required.
- Factory pre-assembly and bundling options available.
- Specialized inventory programs available.



Anodeless Riser w/Extended Length of PE Pipe



Flexible Anodeless Riser

Pre-Bent Anodeless Riser

Risers and Transitions: Anodeless Risers (continued)

Options

Riser Style

- Pre-bent
- Pre-bent w/extended length of PE pipe
- Straight
- Straight w/fused pup
- Flexible
- Steel × flex

Outlet options

- Threaded
- Beveled for welding
- Flanged
- By-pass outlets

Pipe coatings

- Fusion bonded epoxy
- Fusion bonded polyester

Custom dimensions

- Custom vertical dimensions
- Custom horizontal dimensions
- Inlet pe pipe ½" CTS to 12" IPS
- Outlet steel size ½" NPT to 12" NPT
- PE pigtail length from 6" to 250'

Other options

- Tracer wire connectors
- Factory installed gas valve
- Factory installed mechanical connector
- Sch 40 and Sch 80 pipe nipple
- Shear protection sleeves
- UV protection sleeves
- Mounting brackets, stakes, and wall brackets
- Special packaging and labeling
- Metric sizes available
- Sch 40 and thin-wall tubing for casing
- Pressure seal on horizontal end

Testing and Compliance

All GF Central Plastics' risers meet or exceed the following applicable standards and are subjected to an extensive testing program to ensure consistent performance in the field that is safe, robust and reliable.

- DOT Code of Federal Regulations, Title 49, Part 192
- ASTM D2513 - Standard Specification for Thermoplastic gas pressure pipe, tubing, and fittings qualified Category 1 requirements
- ASTM D1598 - Test Method for Time to Failure of plastic pipe under constant internal pressure (Sustained Pressure Test)
- ASTM D1599 - Test Method for resistance to short term hydraulic pressure of plastic pipe, tubing and fittings (Quick Burst)
- ASTM D638 - Test Method for Tensile Testing
- ASTM F1973 - Standard Specification for Factory Assembled Anodeless Risers and Transition Fittings.
- ASTM E515 - Test Method for Leak Testing
- ASTM D638 - Test Method for Tensile Testing
- ASTM F1588 - Test Method Constance Tensile Load Test
- ASTM F1973, 7.4 - Test Method for Temperature Cycling Test
- Complies with CSA B137.4
- Listed with IAPMO/UPC (where applicable)

Technical Specifications

- Steel gas carrier - ASTM A53/API5L
- Pipe threads - ANSI B1.20.1
- Steel compression ring - ASTM A513
- Buna O-ring seal - ASTM D2000
- Protective coating

All parts are protected with an electrostatically applied fusion-bonded epoxy powder coating specifically designed for the exterior of gas petroleum pipelines.

- 8 mil minimum thickness
- AGA 49 grey
- Cathodic disbondment testing per ASTM G8
- Salt spray testing per ASTM B117
- Impact resistance testing per ASTM G14

Risers and Transitions: Transition Risers

Since 1978, GF Central Plastics has been providing the polyethylene piping industry with a line of Transition Risers that offer a safe and simple method of connecting and transitioning PE pipe to steel pipe. Transition Risers offer the ability to transition PE pipe from a below ground application to an above ground piping system. These fittings have been safely and effectively used in Natural Gas Plumbing, Pool and Spa applications and LP Gas.

Transition Risers can be selected from a group of standard items or can be manufactured to meet the customer's specific requirements. A wide variety of options ensures that the customer's needs are fully met.

Features and Benefits

- PE-to-Steel transition joint is stronger than the PE pipe.
- The riser utilizes an O-Ring design for added protection.
- All products are protected with an electrostatically-applied fusion-bonded epoxy powder coating specifically designed for the exterior of Gas Petroleum pipelines.

Options

- Custom Dimensions
 - Custom vertical dimensions 15" to 52"
 - Custom horizontal dimensions 15" to 40"
 - Inlet PE pipe ½" CTS to 8" IPS
 - Outlet steel size ¾" NPT to 8" NPT
 - Can be supplied with any customer-specified PE Pipe
- Other Options
 - Tracer Wire Connectors
 - Factory Installed Gas Valve
 - Shear Protection Sleeves
 - UV Protection Sleeves
 - Attached Anodes
 - Mounting Brackets, Stakes & Wall Brackets
 - Special Packaging and Labeling

Testing and Compliance

All GF Central Plastics' Risers meet or exceed the following applicable standards and are subjected to an extensive testing program to ensure consistent performance in the field that is safe, robust and reliable.



Risers and Transitions: Transition Risers (continued)

Meets or Exceeds Applicable Standards

- DOT Code of Federal Regulations, Title 49, Part 192
- ASTM D2513 - Standard Specification for Thermo plastic gas pressure pipe, tubing, and fittings qualified Category 1 requirements
- ASTM D1598 - Test Method for Time to Failure of plastic pipe under constant internal pressure (Sustained Pressure Test)
- ASTM D1599 - Test Method for resistance to short term hydraulic pressure of plastic pipe, tubing and fittings (Quick Burst)
- ASTM D638 - Test Method for Tensile Testing
- ASTM F1973 - Standard Specification for Factory Assembled Anodeless Risers and Transition Fittings.
- ASTM E515 - Test Method for Leak Testing
- ASTM D638 - Test Method for Tensile Testing
- ASTM F1588 - Test Method Constant Tensile Load Test - ASTM F1973, 7.4 - Test Method for Temperature Cycling Test
- Complies with CSA B137.4
- Listed with IAPMO/UPC (where applicable)
- 100% Factory Leak Tested

Technical Specifications

- Sch 40 & Sch 80 steel gas carrier - ASTM A53 / API 5L
- Pipe threads - ANSI B1.20.1
- Buna O-Ring seal - ASTM D2000
- Welds per API 1104
- Protective coating

All parts are protected with an electrostatically applied fusion-bonded epoxy powder coating specifically designed for the exterior of gas petroleum pipelines.

- 8 mil minimum thickness
- AGA 49 grey
- Cathodic disbondment testing per ASTM G8
- Salt spray testing per ASTM B117
- Impact resistance testing per ASTM G14

Risers and Transitions: Compression Risers

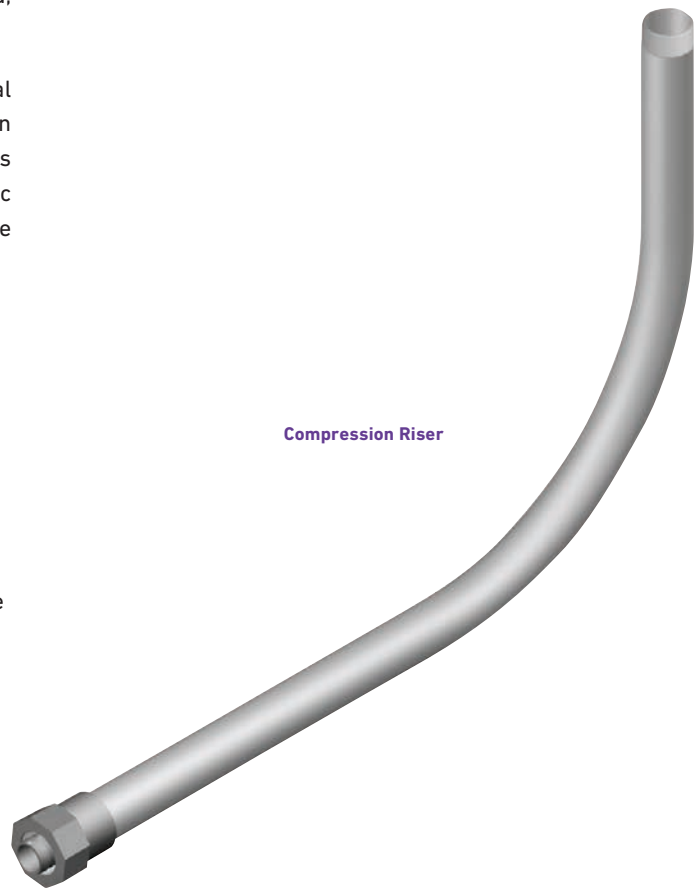
Since 1978, GF Central Plastics has been providing the polyethylene piping industry with a line of steel compression fittings that offer a safe and simple method of connecting and transitioning PE pipe to steel pipe. Compression Risers offer the ability to transition PE piping from a below-ground application to an above-ground piping system. Compression fittings allow the user to connect and/or transition PE to steel without the need for fusion equipment.

These fittings have been safely and effectively used in natural gas plumbing, pool and spa applications, oilfield, oil & gas gathering and LP FGs markets.

Proper installation of these fittings provide a mechanical joint that is stronger than the PE pipe itself. Compression Fittings can be selected from a group of standard items or can be manufactured to meet the customer's specific requirements. A wide variety of options ensures that the customers needs are fully met.

Features and Benefits

- One-piece design
- "Built-In" floating stiffener
- All products are protected with an electrostatically-applied fusion-bonded epoxy powder coating specifically designed for the exterior of gas petroleum pipelines.
- The steel-to-PE mechanical joint is stronger than the PE pipe
- PE pipe will fail prior to the failure of the steel to PE joint
- Can be supplied with anode connectors and anodes



Risers and Transitions: Compression Risers (continued)

Options

- Custom Dimensions
 - Custom Vertical Range 15" to 52"
 - Custom Horizontal Range 15" to 40"
 - Inlet PE Pipe ½" CTS to 2" IPS
 - Outlet Steel Size ½" NPT to 4" NPT
- Tracer Wire Connectors
- Factory Installed Gas Valve
- Shear Protection Sleeves
- UV Protection Sleeves
- Attached Anodes

Testing and Compliance

All GF Central Plastics' Compression Risers meet or exceed the following applicable standards and are subjected to an extensive testing program to ensure consistent performance in the field that is safe, robust and reliable.

Meets or Exceeds Applicable Standards

- DOT Code of Federal Regulations, Title 49, Part 192
- ASTM D2513 - Standard Specification for Thermoplastic gas pressure pipe, tubing, and fittings qualified Category 1 requirements
- ASTM D1598 - Test Method for Time to Failure of plastic pipe under constant internal pressure (Sustained Pressure Test)
- ASTM D1599 - Test Method for resistance to short term hydraulic pressure of plastic pipe, tubing and fittings (Quick Burst)
- ASTM D638 - Test Method for Tensile Testing
- ASTM F1973 - Standard Specification for Factory Assembled Anodeless Risers and Transition Fittings.
- ASTM E515 - Test Method for Leak Testing
- ASTM D638 - Test Method for Tensile Testing
- ASTM F1588 - Test Method Constant Tensile Load Test
- ASTM F1973, 7.4 - Test Method for Temperature Cycling Test
- Complies with CSA B137.4
- Listed with IAPMO/UPC (where applicable)

Technical Specifications

- Steel gas carrier - ASTM A53 / API 5L
- Pipe threads - ANSI B1.20.1
- Compression gasket - ASTM D2000
- Protective coating

All parts are protected with an electrostatically applied fusion-bonded epoxy powder coating specifically designed for the exterior of gas petroleum pipelines.

- 8 mil minimum thickness
- AGA 49 grey
- Cathodic disbondment testing per ASTM G8
- Salt spray testing per ASTM B117
- Impact resistance testing per ASTM G14

Risers and Transitions: Transition Fittings Overview

The time-tested GF Central Plastics' Transition Fitting design eliminates human error in the plastic-to-steel connection by providing a tamper proof and gas tight ASTM D2513 Category 1 mechanical joint that exceeds the hydrostatic burst pressure and tensile strength of the polyethylene pipe. The simplicity and reliability of which is now making the GF Central Plastics' Transition Fitting the transition fitting of choice in a growing number of industrial applications.

GF Central Plastics continues to maintain a standard of excellence backed up by the most extensive research and development, quality assurance and in-house testing programs available to the industry.

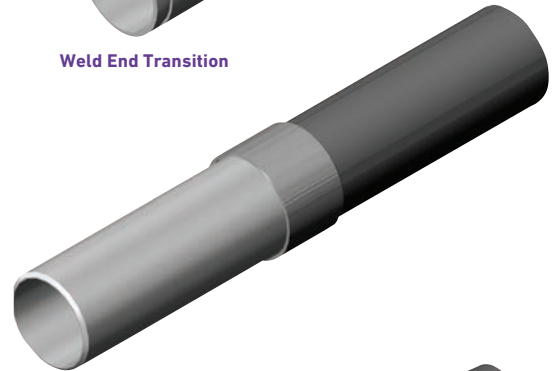
Features and Benefits

- All products are protected with an electrostatically-applied fusion-bonded epoxy powder coating specifically designed for the exterior of gas petroleum pipelines.
- One-piece design eliminates loose parts
- PE-to-steel transition joint is stronger than the PE pipe.
- Transition joint design effectively resists pullout.
- The transition design utilizes a double o-ring design for added protection.
- All gas carrying welds on steel transitions are 100% air tested.
- Minimum shear points

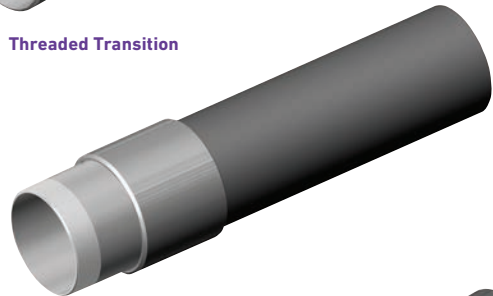
Victaulic Transition



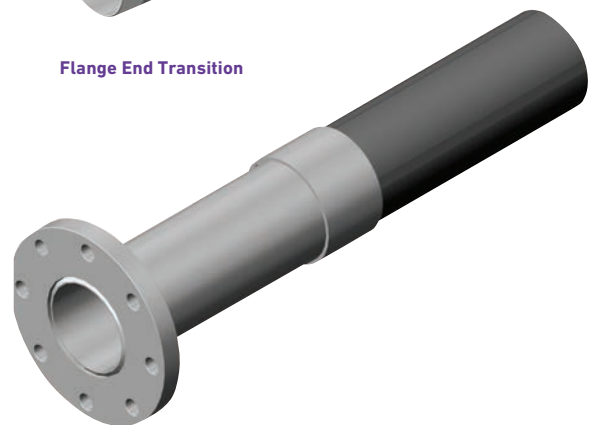
Weld End Transition



Threaded Transition



Flange End Transition



Risers and Transitions: Transition Fittings

Types

- Steel thread end epoxy coated (½"–8")
- Steel threaded internal coated (½"–8")
- Steel weld end epoxy coated (½"–24")
- Steel flange end epoxy coated (2"–24")
- Steel victaulic end epoxy coated (2"–24")

Options

- Tracer wire connector
- Special designs and custom specifications available
- Protective sleeves
- Available in Schedule 40 and Schedule 80

Testing and Compliance

All GF Central Plastics' Risers meet or exceed the following applicable standards and are subjected to an extensive testing program to ensure consistent performance in the field that is safe, robust and reliable.

- DOT Code of Federal Regulations, Title 49, Part 192
- ASTM D2513 - Standard Specification for Thermoplastic gas pressure pipe, tubing, and fittings qualified Category 1 requirements
- ASTM D1598 - Test Method for Time to Failure of plastic pipe under constant internal pressure (Sustained Pressure Test)
- ASTM D1599 - Test Method for resistance to short term hydraulic pressure of plastic pipe, tubing and fittings (Quick Burst)
- ASTM D638 - Test Method for Tensile Testing
- ASTM F1973 - Standard Specification for Factory Assembled Anodeless Risers and Transition Fittings.
- ASTM E515 - Test Method for Leak Testing
- ASTM D638 - Test Method for Tensile Testing
- ASTM F1588 - Test Method Constant Tensile Load Test
- ASTM F1973, 7.4 - Test Method for Temperature Cycling Test
- Complies with CSA B137.4
- Listed with IAPMO/UPC (where applicable)

Technical Specifications

- Steel Gas Carrier - API 5L - ASTM A53
- Pipe Threads - ANSI B1.20.1
- PE Pipe per ASTM D2513
- Protective Coating Specs

All parts are protected with an electrostatically applied fusion-bonded epoxy powder coating specifically designed for the exterior of gas petroleum pipelines.

- 8 mil minimum thickness
- AGA 49 grey
- Cathodic disbondment testing per ASTM G8
- Salt spray testing per ASTM B117
- Impact resistance testing per ASTM G14

Call about Specialty Transition design options and cost.

Risers and Transitions: Brass and Stainless Transition Fittings

The GF Central Plastics line of Stainless and Brass Transition Fittings follow the same quality criteria as the standard carbon steel transition fittings. These fittings are designed to meet the rigorous demands of the municipal and industrial marketplace. All Brass & Stainless Transitions are tested to meet or exceed ASTM D2513 Category 1 and ASTM F1973. This testing ensures that the Steel to PE or the Brass to PE joint is stronger than the PE pipe onto which it is connected.

Transition Features

- PE to Steel transition joint is stronger than the PE pipe.
- Compression design effectively resists pullout.
- No-weld design on brass and stainless transitions.
- Minimum shear points.
- Meets all requirements for a true Category 1 mechanical joint.
- Brass transition is tested to AWWA C906 requirements

Options

- Transition Types
 - Threaded Stainless Steel (¾"-2")
 - Threaded Brass (¾"-2")

Testing and Compliance

All GF Central Plastics' transition fittings meet or exceed the following applicable standards and are subjected to an extensive testing program to ensure consistent performance in the field that is safe, robust and reliable.

Applicable Testing

- Sustained Pressure Test per ASTM D1598
- ASTM D2513 Category I
- Temperature Cycling Test
- Leak Test per ASTM E515
- Tensile Pull Test per ASTM D638
- Constant Tensile Load Test per ASTM F1588
- Minimum Hydrostatic Burst Pressure³ Test per ASTM D1599



Specialty Transition Fittings

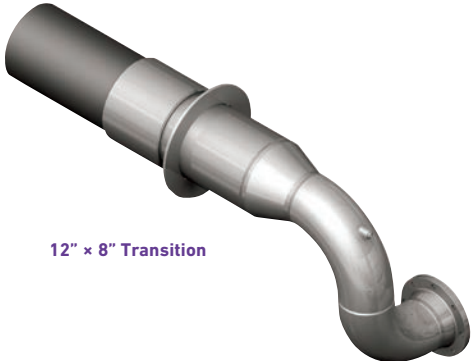
The extensive production capabilities at GF Central Plastics allow us to help you design and build one-of-a-kind Transition Fittings capable of performing your most challenging task. Call us today with a design of your own or talk to us about your specific application needs and we will design a Transition Fitting for you that will meet your specified needs.



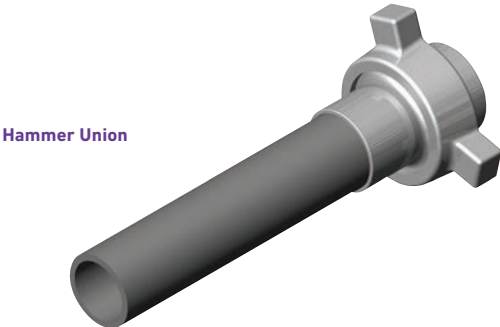
12" Transition



16" Transition



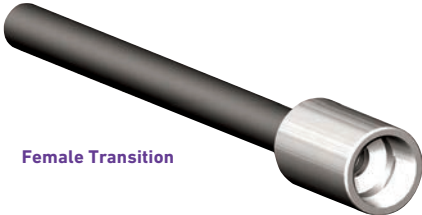
12" x 8" Transition



Hammer Union



Pulling Head



Female Transition

Steel Mechanical Fittings: Overview

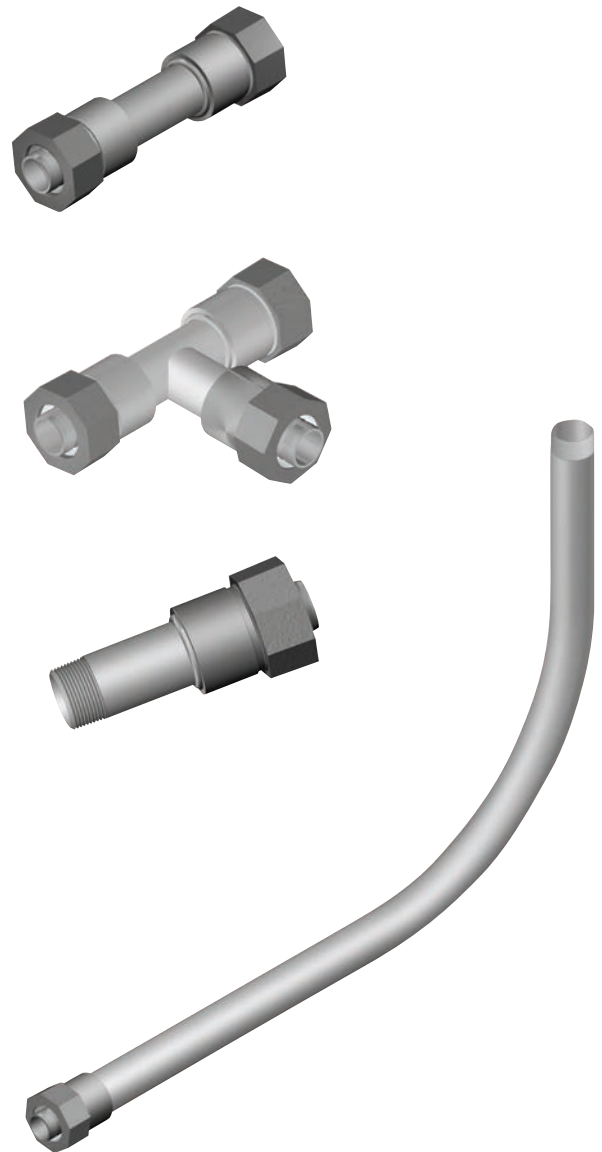
Since 1978, GF Central Plastics has been providing the polyethylene piping industry with a line of steel compression fittings that offer a safe and simple method of connecting and transitioning PE pipe to steel pipe. Compression Risers offer the ability to transition PE piping from a below-ground application to an above-ground piping system. Compression fittings allow the user to connect and/or transition PE to steel without the need for fusion equipment.

These fittings have been safely and effectively used in Natural Gas Plumbing, Pool and Spa applications, Oilfield, Oil and Gas Gathering and LP FGs markets.

Proper installation of these fittings provide a mechanical joint that is stronger than the PE pipe itself. Compression Fittings can be selected from a group of standard items or can be manufactured to meet the customer's specific requirements. A wide variety of options ensures that the customers needs are fully met.

Features and Benefits

- One piece design, no loose parts
- "Built-In" floating stiffener
- All products are protected with an electrostatically-applied fusion-bonded epoxy powder coating specifically designed for the exterior of gas petroleum pipelines.
- The steel-to-PE mechanical joint is stronger than the PE pipe
- Can be supplied with anode connectors and anodes
- Meets the requirements of ASTM D2513 – Category 1
- Recommended for use in connecting polyethylene pipes



Steel Mechanical Fittings: Overview

Options

- Custom Dimensions
 - Custom Vertical Range 15" to 52"
 - Custom Horizontal Range 15" to 40"
 - Inlet PE Pipe ½" CTS to 2" IPS
 - Outlet Steel Size ½" IPS to 2" IPS
- Tracer Wire Connectors
- Factory Installed Gas Valve
- UV Protection Sleeves
- Attached Anodes

Testing and Compliance

All GF Central Plastics' Compression Risers meet or exceed the following applicable standards and are subjected to an extensive testing program to ensure consistent performance in the field that is safe, robust and reliable.

Meets or Exceeds Applicable Standards

- DOT Code of Federal Regulations Title 49 Part 192
- ASTM F1973 – 99
- NFPA 58 -1992
- ASTM D2513 Category 1
- Listed with IAPMO/UPC
- Steel Gas Carrier - ASTM A53 / API 5L
- Pipe Threads - ANSI B1.20.1
- Buna O-Ring Seal - ASTM D2000

Protective Coating

Steel Case – ASTM A513 & ASTM A53

- Protective Coating Specs – ASTM A513 or A53
 - Cathodic Disbondment – ASTM G8-90
 - Salt Spray (Fog) – ASTM B117-85
 - Impact Resistance – ASTM G14-88
 - 8 mil minimum thickness

[Also see Compression Riser Page](#)



GF Central Plastics Commitment to Corrosion Control Techniques

Summary of Corrosion Control Techniques for Metal Compression Fittings

It is a well-known fact in the industry of applying functional coatings, that the performance of a coating is significantly influenced by its ability to adhere properly to the substrate material. The single most important factor that determines the performance of the coating is the preparation of the surface to which the protective coating is applied. For all intents and purposes, it does not matter what type of protective coating is applied (i.e. powder coating, paint, or plating); without proper surface preparation, the expected results performance requirements will not be achieved.

The following is a list of quotations that were made by various representatives throughout the coating industry:

- "The quickest way to achieve paint failure is improper surface preparation."
- "Over 80% of all paint failures can be attributed to poor or improper surface preparation."
- "A paint job is only as good as the surface (and its preparation) to which it is applied."
- "Failure of coatings in service with problems such as corrosion and blistering are nearly always caused by inadequate pretreatment and surface preparation."
- "Proper surface preparation is often the most costly... over half the cost of paint application."

In order to eliminate this major concern, GF Central Plastics utilizes the following methods for surface preparation.

- Mechanical Cleaning - Grit Blasted – NACE "Near White" Condition or SSPC SP-10 – Surface Profile of 2.0 to 3.5 MILS
- 4 Stage Wash System utilizing a surface conversion coating
- Pre-heat system prior to coating to ensure any remaining contamination is removed.
- Fully automated application equipment to ensure no contamination is introduced back onto the surface of the part after the cleaning processes have been completed.

Application Process

All coatings are applied using a fully automated electrostatic coating system. The powders that can be applied are Fusion-Bonded Epoxy and Fusion-Bonded Polyester. Polyester provides excellent resistance to atmospheric corrosion, plus it has UV stabilizers that allow the coating to maintain its appearance. Fusion-bonded epoxy is generally used for anodeless risers due to its excellent resistance to corrosion. Epoxy does not have UV stabilizers added; therefore, it is generally used in applications where the product is to be buried.

GF Central Plastics has the ability to apply a multi-layer coating of epoxy and polyester. This combination provides the metal product with an epoxy base exhibiting exceptional corrosion resistance and a top coat with outstanding UV stabilization characteristics.

Table of Contents

Metals

Anodeless Risers	2
Transition Risers	3
Compression Risers	10
Transition Fittings	11
Category 3 Transitions	19
Geothermal Transitions	22
Meter Connections	25
Steel Mechanical Fittings	37
Index	43

Residential



ANODELESS RISERS: Residential Anodeless Riser PE2406/PE2708

- Approval: ASTM D2513
- Approval: ASTM F1973
- Standard: CAT-1
- Protective sleeves are available upon request.
- GF Central Plastics offers thousands of different riser configurations. The configurations listed here are standard stocking sizes.
- Call for availability of other sizes and dimensions.

Description	GFCP Part No.	GF Part No.	weight (lb)	Box Qty
.099 30V x 30H	10000343	360 000 122	7.011	8
1" MPT x 1" CTS (30V x 18H)	6380225	360 000 124	5.115	6
3/4" MPT x 1/2" CTS (18V x 18H)	6360508	360 000 090	2.998	10
3/4" MPT x 1/2" CTS (26V x 16H)	10012473	360 011 048	3.131	
3/4" MPT x 1/2" CTS (48V x 24H)	10007957	360 003 648	0.002	2



ANODELESS RISERS: Residential Anodeless Riser PE3408/PE4710 DR11

- Approval: ASTM D2513
- Approval: ASTM F1973
- Standard: CAT-1
- Standard: ANSI B1.20.1
- Protective sleeves are available upon request.
- GF Central Plastics offers thousands of different riser configurations. The configurations listed here are standard stocking sizes.
- Call for availability of other sizes and dimensions.

Description	GFCP Part No.	GF Part No.	weight (lb)	Box Qty
3/4" MPT x 3/4" IPS (30V x 30H)	6380150	360 000 112	9.502	8
3/4" MPT x 3/4" IPS (36V x 24H)	10009046	360 011 074	5.997	8
3/4" MPT x 3/4" IPS (42V x 24H)	10010883	360 011 078	5.997	8
1" MPT x 1" IPS (24V x 24H)	10011572	360 011 122	5.115	6
1" MPT x 1" IPS (24V x 36H)	10008345	360 003 645	7.033	6
1" MPT x 1" IPS (30V x 28H)	10007258	360 000 161	5.004	6
1" MPT x 1" IPS (30V x 30H)	10012382	360 011 123	7.033	6
1" MPT x 1" IPS (36V x 24H)	6380165	360 000 138	11.266	6
1" MPT x 1" IPS (36V x 36H)	10010051	360 003 646	8.488	6
1" MPT x 1" IPS (38V x 36H)	10007259	360 000 162	8.995	6
1" MPT x 1" IPS (48V x 24H)	10009378	360 021 340	55.005	6
1-1/4" MPT x 1-1/4" IPS (36V x 24H)	10008158	360 003 654	8.995	5
1-1/4" MPT x 1-1/4" IPS (42V x 34H)	10012557	360 011 169	11.574	
2" MPT x 2" IPS (36V x 34H)	6380148	360 000 151	24.141	15
2" MPT x 2" IPS (48V x 36H)	6380273	360 003 656	10.009	15
3" MPT x 3" IPS (42V x 24H)	10001688	360 003 658	34.811	10

Commercial



ANODELESS RISERS: Commercial Anodeless Riser PE2406/PE2708

- Approval: ASTM D2513
- Approval: ASTM F1973
- Standard: CAT-1
- Protective sleeves are available upon request.
- GF Central Plastics offers thousands of different riser configurations. The configurations listed here are standard stocking sizes.
- Call for availability of other sizes and dimensions.

Description	GFCP Part No.	GF Part No.	weight (lb)	Box Qty
1-1/2" MPT x 1-1/2" IPS (48V x 26H)	10009615	360 003 124	0.000	4
60V x 26H	10009701	360 003 125	0.000	4
1-1/4" MPT x 1-1/4" IPS (36V x 24H)	10009034	360 011 161	0.002	
1-1/4" MPT x 1-1/4" IPS (30V x 30H)	10010779	360 011 156	0.002	5
1-1/4" MPT x 1-1/4" IPS (36V x 36H)	10006244	360 011 163	21.010	30
2" MPT x 2" IPS (36V x 24H)	6380177	360 003 665	12.324	2
36V x 36H	10006245	360 003 663	19.996	15
38V x 36H	6380297	360 000 148	25.397	15
2" MPT x 2" IPS (48V x 36H)	6380272	360 000 149	22.994	15
3" MPT x 3" IPS (42V x 24H)	10008599	360 011 223	0.002	



ANODELESS RISERS: Commercial Anodeless Riser PE3408/PE4710

- Approval: ASTM D2513
- Approval: ASTM F1973
- Standard: CAT-1
- Protective sleeves are available upon request.
- GF Central Plastics offers thousands of different riser configurations. The configurations listed here are standard stocking sizes.
- Call for availability of other sizes and dimensions.

Description	GFCP Part No.	GF Part No.	weight (lb)	Box Qty
2" MPT x 2" IPS (30V x 30H)	10006044	360 003 657	12.324	2
2" MPT x 2" IPS (36V x 34H)	6380148	360 000 151	24.141	15
2" MPT x 2" IPS (48V x 36H)	10012545	360 011 215	11.332	2
3" MPT x 3" IPS (42V x 24H)	10001688	360 003 658	34.811	10
4" MPT x 4" IPS (42V x 24H)	10001826	360 003 659	41.006	12

Threaded Coated Transitions

External



THREADED EXTERNAL COATED TRANSITIONS: Threaded External Coated Transition PE2406/PE2708

- Approval: ASTM D2513
- Approval: ASTM F1973
- Standard: CAT-1
- Standard: ANSI B1.20.1
- Protective sleeves are available upon request.
- Call for availability of other sizes and dimensions.

Description	SDR	GFCP Part No.	GF Part No.	weight (lb)	Box Qty
1/2" MPT x 1/2" CTS		6500064	360 002 542	0.750	36
3/4" MPT x 3/4" IPS	11	10007973	360 013 807	2.006	30
1" FPT x 3/4" IPS	11	6501211	360 002 548	1.257	50
1" MPT x 1" IPS	11	6501065	360 002 556	2.469	32
1" MPT x 1" IPS	11	10007975	360 013 818	2.778	15
1" MPT x 1" CTS		10000522	360 002 553	4.101	25
1" MPT x 1" CTS		10007974	360 013 814	2.954	25
1" MPT x 1-1/4" IPS	10	650011210000	360 003 777	3.197	16
1-1/4" FPT x 3/4" IPS	11	6501212	360 002 540	1.896	25
1-1/4" MPT x 1-1/4" IPS	10	6501066	360 002 560	3.439	15
1-1/4" MPT x 1-1/4" IPS	10	10007976	360 013 824	3.902	15
1-1/4" MPT x 1-1/4" IPS	11	10010349	360 003 778	1.676	16
1-1/2" MPT x 1-1/2" IPS	11	10007977	360 013 828	4.872	15
2" MPT x 2" IPS	11	6500953	360 002 566	7.628	25
2" MPT x 2" IPS	11	6501067	360 002 567	0.002	16
2" MPT x 2" IPS	11	10007978	360 013 832	5.776	8
3" MPT x 3" IPS	11	10007979	360 013 837	13.999	3
4" MPT x 4" IPS	11	10007465	360 003 779	11.993	4
4" MPT x 4" IPS	11	10007980	360 013 840	20.922	



THREADED EXTERNAL COATED TRANSITIONS: Threaded External Coated Transition PE3408/PE4710

- Approval: ASTM D2513
- Approval: ASTM F1973
- Standard: CAT-1
- Standard: ANSI B1.20.1
- Protective sleeves are available upon request.
- Call for availability of other sizes and dimensions.

Description	SDR	GFCP Part No.	GF Part No.	weight (lb)	Box Qty
1/2" MPT x 1/2" CTS		10008664	360 003 787	0.705	36
3/4" MPT x 3/4" IPS	11	6501160	360 002 547	0.926	36
1" MPT x 1" IPS	11	650010110800	360 003 781	1.235	25
1" MPT x 1" IPS	11	6500664	360 002 557	2.205	25
1" MPT x 1" CTS		6501180	360 002 554	3.042	25
1" MPT x 1-1/4" IPS	11	6500214	360 002 558	1.962	16
1-1/4" MPT x 1-1/4" IPS	7	10003221	360 002 541	1.742	16
1-1/4" MPT x 1-1/4" IPS	11	6500062	360 002 561	1.918	16
1-1/4" MPT x 1-1/4" IPS	11	10007798	360 002 515	1.698	16
1-1/4" MPT x 1" CTS		10008219	360 003 788	0.002	16
1-1/2" MPT x 1-1/2" IPS	7	10003622	360 002 562	2.293	12
1-1/2" MPT x 1-1/2" IPS	11	6501152	360 002 564	2.469	12
2" MPT x 2" IPS	7	650020210820	360 003 783	3.395	16
2" MPT x 2" IPS	9	10011682	360 003 512	3.549	16
2" MPT x 2" IPS	11	10006752	360 002 517	3.351	16

table continued on the next page

Description	SDR	GFCP Part No.	GF Part No.	weight (lb)	Box Qty
3" MPT x 3" IPS	7	6500020	360 002 572	8.995	4
3" MPT x 3" IPS	11	650030310810	360 003 784	8.201	4
4" MPT x 4" IPS	11	650040410810	360 003 785	11.993	4
4" MPT x 4" IPS	11	10007466	360 003 790	11.640	4
8" MPT x 8" IPS	11	6501214	360 002 574	78.396	1

Internal

THREADED INTERNAL COATED TRANSITIONS: Threaded Internal Coated Transition PE2406/PE2708



- Approval: ASTM D2513
- Approval: ASTM F1973
- Standard: CAT-1
- Protective sleeves are available upon request.
- Call for availability of other sizes and dimensions.

Size	SDR	GFCP Part No.	GF Part No.	weight (lb)	Box Qty
2" MPT x 2" IPS	11	650020211000	360 013 845	3.131	16

THREADED INTERNAL COATED TRANSITIONS: Threaded Internal Coated Transition PE3408/PE4710



- Approval: ASTM D2513
- Approval: ASTM F1973
- Standard: CAT-1
- Protective sleeves are available upon request.
- Call for availability of other sizes and dimensions.

Size	SDR	GFCP Part No.	GF Part No.	weight (lb)	Box Qty
3/4" MPT x 3/4" IPS	11	650757511100	360 003 791	0.904	36
1" MPT x 1" IPS	9	6501028	360 002 575	1.257	25
1" MPT x 1" IPS	11	650010111800	360 003 792	1.213	25
1-1/4" MPT x 1-1/4" IPS	11	650121211810	360 003 793	2.028	16
1-1/2" MPT x 1-1/2" IPS	11	6501155	360 002 576	2.469	12
2" MPT x 2" IPS	7	650020211820	360 003 794	3.417	16
2" MPT x 2" IPS	9	10003306	360 002 577	3.527	16
2" MPT x 2" IPS	11	650020211800	360 003 795	2.976	16
3" MPT x 3" IPS	7	650030311830	360 003 796	8.642	4
3" MPT x 3" IPS	9	10003283	360 002 578	8.311	4
3" MPT x 3" IPS	11	650030311810	360 003 797	8.179	4
4" MPT x 4" IPS	7	650040411830	360 003 798	13.007	4
4" MPT x 4" IPS	9	10011327	360 013 846	12.236	4
4" MPT x 4" IPS	11	650040411810	360 003 799	11.707	4
6" MPT x 6" IPS	7	10006098	360 002 518	44.004	1
6" MPT x 6" IPS	9	10011328	360 013 847	39.661	1
6" MPT x 6" IPS	11	650060611810	360 003 800	35.009	1
8" MPT x 8" IPS	9	10011329	360 013 848	80.381	1
8" MPT x 8" IPS	11	10003887	360 003 801	75.001	1

Transition Risers



TRANSITION RISERS: Anodeless Transition Riser PE2406/PE2708

- Approval: ASTM D2513
- Approval: ASTM F1973
- Standard: CAT-1
- Standard: ANSI B1.20.1
- GF Central Plastics offers thousands of different riser configurations. The configurations listed here are standard stocking sizes.
- Protective sleeves are available upon request.
- Call for availability of other sizes and dimensions.

Description	SDR	GFCP Part No.	GF Part No.	weight (lb)	Box Qty
3/4" MPT x 3/4" IPS (36V x 24H)	11	600757536000	360 003 811	5.115	10
1" MPT x 1" IPS (24V x 36H)	11	600010124000	360 003 813	7.121	6
1" MPT x 1" IPS (24V x 36H)	11	600010136000	360 003 815	7.121	8
1" MPT x 1-1/4" IPS (24V x 36H)	10	6000035	360 003 816	8.686	6
1" MPT x 1-1/4" IPS (36V x 24H)	10	600011236000	360 003 817	7.937	6
3/4" MPT x 1" IPS (24V x 18H)	11	6000121	360 003 812	4.542	150
2" MPT x 2" IPS (24V x 36H)	11	600020222400	360 003 824	16.998	3
2" MPT x 2" IPS (36V x 24H)	11	600020236000	360 003 826	16.998	3
1-1/4" MPT x 1-1/4" IPS (24V x 36H)	10	600121224000	360 003 818	8.995	5
1-1/4" MPT x 1-1/4" IPS (36V x 24H)	10	600121236000	360 003 820	10.891	5
1-1/2" MPT x 1-1/2" IPS (24V x 36H)	11	600151524000	360 003 821	12.588	4
1-1/2" MPT x 1-1/2" IPS (36V x 24H)	11	600151536000	360 003 823	12.588	4



TRANSITION RISERS: Anodeless Transition Riser PE3408/PE4710 DR11

- Approval: ASTM D2513
- Approval: ASTM F1973
- Standard: CAT-1
- Standard: ANSI B1.20.1
- Protective sleeves are available upon request.
- GF Central Plastics offers thousands of different riser configurations. The configurations listed here are standard stocking sizes.
- Call for availability of other sizes and dimensions.

Description	GFCP Part No.	GF Part No.	weight (lb)	Box Qty
1" MPT x 1" IPS (30V x 30H)	6000119	360 003 804	7.672	6
2" MPT x 2" IPS (36V x 24H)	10013476	360 014 051	16.006	7
3" MPT x 3" IPS (30V x 30H)	6000104	360 003 806	41.844	10
4" MPT x 4" IPS (42V x 30H)	6000122	360 003 807	65.499	10

Transition Risers with Anodes



TRANSITION RISERS: Transition Riser with Anodes PE2406/PE2708

- Approval: ASTM D2513
- Approval: ASTM F1973
- Standard: CAT-1
- Standard: ANSI B1.20.1
- Protective sleeves are available upon request.
- GF Central Plastics offers thousands of different riser configurations. The configurations listed here are standard stocking sizes.
- Call for availability of other sizes and dimensions.

Description	SDR	GFCP Part No.	GF Part No.	weight (lb)	Box Qty
3/4" MPT x 3/4" IPS (24V x 36H)	11	6000020	360 003 832	7.408	6
3/4" MPT x 3/4" IPS (36V x 24H)	11	600757536004	360 003 833	6.636	6
1" MPT x 1" IPS (24V x 36H)	11	600010124004	360 003 834	8.907	5
1" MPT x 1" IPS (30V x 30H)	11	6000052	360 003 835	8.907	5
1-1/4" MPT x 1-1/4" IPS (24V x 36H)	10	600121224004	360 003 836	17.020	4
1-1/2" MPT x 1-1/2" IPS (24V x 36H)	11	600151524004	360 003 837	14.749	4
2" MPT x 2" IPS (24V x 36H)	11	600020224004	360 003 838	18.827	3

Compression Risers

Compression Risers with Anodes



COMPRESSION RISERS: Compression Riser with Anodes

- Approval: ASTM D2513
- Approval: ASTM F1948
- Standard: CAT-1
- Standard: ANSI B1.20.1
- Protective sleeves are available upon request.
- GF Central Plastics offers thousands of different riser configurations. The configurations listed here are standard stocking sizes.
- Call for availability of other sizes and dimensions.

Description	SDR	GFCP Part No.	GF Part No.	weight (lb)	Box Qty
3/4" MPT x 3/4" IPS (24V x 36H)	11	610757524004	360 011 502	8.003	6
3/4" MPT x 3/4" IPS (30V x 30H)	11	6100063	360 011 504	7.430	6
1" MPT x 1" IPS (24V x 36H)	11	610010124004	360 011 507	10.009	5
1" MPT x 1" IPS (30V x 30H)	11	6100001	360 011 509	9.656	5
1" MPT x 1" IPS (36V x 24H)	11	610010136004	360 011 511	10.009	5
1-1/4" MPT x 1-1/4" IPS (24V x 36H)	10	610121224004	360 011 514	13.206	4
1-1/4" MPT x 1-1/4" IPS (30V x 30H)	10	6100002	360 011 516	13.007	4
1-1/4" MPT x 1-1/4" IPS (36V x 24H)	10	610121236004	360 011 518	13.492	4

Weld-End Transition Fittings

WELD-END TRANSITION FITTINGS: Weld-End Transition Fitting PE2406/PE2708



- Approval: ASTM D2513
- Approval: ASTM F1973
- Standard: CAT-1
- *Approval: CSA B137.4
- Protective sleeves are available upon request.
- Call for availability of other sizes and dimensions.

<...>	Size	SDR	GFCP Part No.	GF Part No.	weight (lb)	Box Qty
	3/4" IPS x 3/4" IPS	11	10008773	360 013 861	1.499	20
	1-1/4" IPS x 1-1/4" IPS	11	10003115	360 002 581	3.131	15
*	1-1/2" IPS x 1-1/2" IPS	11	650151500000	360 003 853	4.365	15
	2" IPS x 2" IPS	11	10010973	360 013 924	6.371	9
	3" IPS x 3" IPS	11	6500980	360 003 854	13.492	3
	4" IPS x 4" IPS	11	6500891	360 002 622	18.805	2
	4" IPS x 4" IPS	13.5	6501129	360 002 629	19.511	2
	6" IPS x 6" IPS	11	6500959	360 002 634	45.790	1
	6" IPS x 6" IPS	13.5	6500894	360 002 641	49.097	1
	8" IPS x 8" IPS	11	6500983	360 002 646	102.493	1
*	8" IPS x 8" IPS	13.5	6500929	360 002 653	102.008	1
	10" IPS x 10" IPS	13.5	6500011	360 013 895	169.998	1
	12" IPS x 12" IPS	13.5	6501024	360 002 602	252.010	1

WELD-END TRANSITION FITTINGS: Weld-End Transition Fitting PE3408/PE4710



- Approval: ASTM D2513
- Approval: ASTM F1973
- Standard: CAT-1
- Protective sleeves are available upon request.
- Call for availability of other sizes and dimensions.

	Size	SDR	GFCP Part No.	GF Part No.	weight (lb)	Box Qty
	3/4" IPS x 3/4" IPS	11	6500321	360 002 588	1.543	40
	1" IPS x 3/4" IPS	11	10010850	360 013 863	2.293	32
	1" IPS x 1" IPS	11	6500322	360 002 591	2.381	32
	1-1/4" IPS x 1-1/4" IPS	11	6500323	360 002 595	3.395	15
	1-1/4" IPS x 1-1/4" IPS	11	6501175	360 002 596	3.395	30
	2" IPS x 2" IPS	9	6501194	360 002 613	5.798	8
	2" IPS x 2" IPS	11	6500311	360 002 607	5.291	8
	3" IPS x 3" IPS	11	6500522	360 002 616	13.007	2
	4" IPS x 4" IPS	9	10004053	360 003 869	19.467	2
	4" IPS x 4" IPS	11	10003830	360 002 527	18.607	2
	4" IPS x 4" IPS	11	6500318	360 002 623	20.194	2
	6" IPS x 6" IPS	11	6500576	360 002 635	47.796	1
	6" IPS x 6" IPS	11	10013337	360 013 974	47.003	1
	8" IPS x 8" IPS	9	10003739	360 002 530	97.003	1
	8" IPS x 8" IPS	11	6501173	360 002 648	102.493	1
	8" IPS x 8" IPS	11	6500629	360 002 647	103.000	1
	10" IPS x 10" IPS	11	6500642	360 002 599	166.008	3
	12" IPS x 12" IPS	11	6500500	360 002 601	242.001	3
	16" IPS x 16" IPS	9	10003777	360 002 525	573.466	1

Flange Transition Fittings



FLANGE TRANSITION FITTINGS: Flange Transition Fitting PE2406/PE2708

- Approval: ASTM D2513
- Approval: ASTM F1973
- Standard: CAT-1
- Protective sleeves are available upon request.
- Call for availability of other sizes and dimensions.

	Size	SDR	GFCP Part No.	GF Part No.	weight (lb)	Box Qty
	2" IPS x 2" IPS	11	6500829	360 002 533	7.606	4
	3" IPS x 3" IPS	11.5	650030330000	360 003 754	15.741	2
	4" IPS x 4" IPS	11.5	650040430000	360 003 755	23.898	1
	6" IPS x 6" IPS	11.5	650060630000	360 003 756	49.009	1
	8" IPS x 8" IPS	11.5	650080830000	360 003 757	91.492	1
	8" IPS x 8" IPS	13.5	6501193	360 002 534	94.512	1
	12" IPS x 12" IPS	13.5	6501197	360 013 705	228.509	1

FLANGE TRANSITION FITTINGS: Flange Transition Fitting PE3408/PE4710



- Approval: ASTM D2513
- Approval: ASTM F1973
- Standard: CAT-1
- Protective sleeves are available upon request.
- *8300 Pipe
- Call for availability of other sizes and dimensions.

<...>	Size	SDR	GFCP Part No.	GF Part No.	weight (lb)	Box Qty
*	2" IPS x 2" IPS	11	10014489	360 029 216	37.368	4
	3" IPS x 3" IPS	11	6500125	360 002 505	15.741	2
	4" IPS x 4" IPS	11	10010884	360 003 758	20.062	30
	6" IPS x 6" IPS	11	6500163	360 002 506	49.009	1
*	6" IPS x 6" IPS	11	10013593	360 028 422	0.022	1
	12" IPS x 12" IPS	11	10010630	360 013 704	221.697	3
	12" IPS x 16" IPS	7	10012234	360 013 706	733.412	1

Victualic Transition Fittings



TRANSITION FITTINGS: Victualic Transition Fitting PE3408/PE4710

- Approval: ASTM D2513
- Approval: ASTM F1973
- Standard: CAT-1
- Protective sleeves are available upon request.
- Call for availability of other sizes and dimensions.

Description	SDR	GFCP Part No.	GF Part No.	weight (lb)	Box Qty
2" IPS x 2" IPS	7	650020221820	360 003 841	3.329	16
2" IPS x 2" IPS	9	10014654		3.510	16
2" IPS x 2" IPS	11	650020221800	360 003 842	2.998	16
3" IPS x 3" IPS	7	650030321830	360 003 843	8.598	4
3" IPS x 3" IPS	9	10013829	360 028 426	8.003	4
3" IPS x 3" IPS	11	650030321810	360 003 844	8.995	4
4" IPS x 4" IPS	7	6500094	360 002 579	15.102	4
4" IPS x 4" IPS	9	10013168	360 013 850	12.456	4
4" IPS x 4" IPS	11	650040421810	360 003 845	12.192	4
6" IPS x 6" IPS	7	10007197	360 003 846	44.996	1
6" IPS x 6" IPS	11	650060621810	360 003 847	36.994	1
8" IPS x 8" IPS	11	6500015	360 002 580	75.993	1

Brass Transition Fittings



**TRANSITION FITTINGS: Brass Transition Fitting
PE3408/PE4710
DR11**

- Standard: ANSI B1.20.1
- Approval: AWWA C901
- Protective sleeves are available upon request.
- Call for availability of other sizes and dimensions.

Size	GFCP Part No.	GF Part No.	weight (lb)	Box Qty
3/4" MPT x 3/4" IPS	10003439	360 002 482	0.485	30
1" MPT x 1" IPS	10003441	360 002 483	0.551	30
1-1/4" MPT x 1-1/4" IPS	10003443	360 002 484	0.992	20
1-1/2" MPT x 1-1/2" IPS	10003445	360 002 485	1.477	15
2" MPT x 2" IPS	10003447	360 002 486	2.050	10

Stainless Steel Transition Fittings



TRANSITION FITTINGS: Stainless Steel Transition Fitting PE3408/PE4710 DR11

- Standard: ANSI B1.20.1
- Approval: AWWA C901
- Approval: NSF-61
- Protective sleeves are available upon request.
- Call for availability of other sizes and dimensions.

Size	GFCP Part No.	GF Part No.	weight (lb)	Box Qty
3/4" MPT x 3/4" IPS	6501229	360 002 535	0.507	50
1" MPT x 1" IPS	6501231	360 002 536	0.772	30
1-1/4" MPT x 1-1/4" IPS	6501232	360 002 537	1.389	20
1-1/2" MPT x 1-1/2" IPS	6501230	360 002 538	1.609	15
2" MPT x 2" IPS	6501233	360 002 539	1.874	10

Category 3 Transitions



**CATEGORY 3 TRANSITIONS: Carbon Steel Transition
PE3408/PE4710
DR11**

- Standard: ANSI B1.20.1
- Protective sleeves are available upon request.
- Call for availability of other sizes and dimensions.

Size	GFCP Part No.	GF Part No.	weight (lb)	Box Qty
3/4" MPT x 3/4" IPS	10009026	360 002 493	0.154	
1" MPT x 1" IPS	10009027	360 002 494	0.220	80
1-1/4" MPT x 1-1/4" IPS	10009028	360 002 495	0.375	45
1-1/2" MPT x 1-1/2" IPS	10009029	360 003 678	0.463	30
2" MPT x 2" IPS	10009030	360 002 496	1.190	20
3" MPT x 3" IPS	10009031	360 002 497	3.131	10
4" MPT x 4" IPS	10009032	360 003 679	5.820	6



**CATEGORY 3 TRANSITIONS: Brass Transition
PE3408/PE4710
DR11**

- Standard: ANSI B1.20.1
- Protective sleeves are available upon request.
- Call for availability of other sizes and dimensions.

Size	GFCP Part No.	GF Part No.	weight (lb)	Box Qty
3/4" MPT x 3/4" IPS	10009019	360 002 487	0.176	50
1" MPT x 1" IPS	10009020	360 002 488	0.265	80
1-1/4" MPT x 1-1/4" IPS	10009021	360 002 489	0.419	45
1-1/2" MPT x 1-1/2" IPS	10009022	360 002 490	0.507	36
2" MPT x 2" IPS	10009023	360 002 491	1.323	20
3" MPT x 3" IPS	10009024	360 002 492	3.417	10
4" MPT x 4" IPS	10009025	360 003 677	6.371	6



**CATEGORY 3 TRANSITIONS: Stainless Steel Transition
PE3408/PE4710**

- Standard: ANSI B1.20.1
- Protective sleeves are available upon request.
- Call for availability of other sizes and dimensions.

Size	SDR	GFCP Part No.	GF Part No.	weight (lb)	Box Qty
3/4" MPT x 3/4" IPS	11	10009012	360 002 498	0.154	100
1" MPT x 1" IPS	9	10012479	360 013 697	0.331	80
1" MPT x 1" IPS	11	10009013	360 002 499	0.243	80
1-1/4" MPT x 1-1/4" IPS	11	10009014	360 002 500	0.375	45
1-1/2" MPT x 1-1/2" IPS	11	10009015	360 002 501	0.463	36
2" MPT x 2" IPS	11	10009016	360 002 502	1.190	20
3" MPT x 3" IPS	11	10009017	360 002 503	3.131	4
4" MPT x 4" IPS	11	10009018	360 002 504	6.570	6

Geothermal Transitions



GEOHERMAL TRANSITIONS: Socket Fusion Coupling Male Thread PE3408/PE4710

- Approval: ASTM D2513
- Approval: ASTM D2683
- Standard: ANSI B1.20.1
- Call for availability of other sizes and dimensions.

Size	GFCP Part No.	GF Part No.	weight (lb)	Box Qty
3/4" MPT x 3/4" IPS	10008462	360 001 608	0.397	60
3/4" MPT x 1" IPS	10009075	360 001 609	0.419	40
3/4" MPT x 1-1/4" IPS	10008461	360 001 610	0.441	25
1" MPT x 1" IPS	10008463	360 001 613	0.661	35
1" MPT x 1-1/4" IPS	10008472	360 001 614	0.705	25
1-1/4" MPT x 1-1/4" IPS	10008464	360 001 616	0.860	25
1-1/2" MPT x 1-1/2" IPS	10008465	360 001 618	1.146	20
2" MPT x 2" IPS	10008466	360 001 619	1.896	12



**GEOHERMAL TRANSITIONS: Socket Fusion Couplings
Female Thread
PE3408/PE4710**

- Approval: ASTM D2513
- Approval: ASTM D2683
- Standard: ANSI B1.20.1
- Call for availability of other sizes and dimensions.

Size	GFCP Part No.	GF Part No.	weight (lb)	Box Qty
1/2" FPT x 3/4" IPS	10008467	360 001 606	0.287	50
3/4" FPT x 3/4" IPS	10008468	360 001 607	0.397	80
3/4" FPT x 1" IPS	10010081	360 011 709	0.419	80
1" FPT x 1" IPS	10008469	360 001 611	0.595	25
1" FPT x 1-1/4" IPS	10010328	360 011 710	0.595	25
1-1/4" FPT x 1-1/4" IPS	10008470	360 001 615	0.750	20
1-1/2" FPT x 1-1/2" IPS	10008471	360 001 617	1.190	20

GEOHERMAL TRANSITIONS: 90° Elbow
Male Thread
PE3408/PE4710

- Approval: ASTM D2513
- Approval: ASTM D2683
- Standard: ANSI B1.20.1
- Call for availability of other sizes and dimensions.

Size	GFCP Part No.	GF weight Part No.	weight (lb)
1" MPT x 1" IPS	10009460	360 001 612	0.705
1-1/4" MPT x 1-1/4" IPS	10009461	360 003 642	0.992

Connection Products

Insulated Unions - "O" Ring



INSULATED UNIONS: 150# "O" Ring Style Black Malleable Iron (BMI) Flat Faced Type, 150 Class 300 CWP Working Pressure

- Specifics: Stops Galvanic and Electrolytic Corrosion of Mains and Services; Permanent Economical Protection; Protects against stray or induced currents.
- Approval: ASTM A197
- Standard: ANSI B1.20.1
- Call for availability of other sizes and dimensions.

Size (inch)	Special Features	GFCP (BMI) Part No.	GF Part No.	weight (lb)	Box Qty
¾		1005116	360 002 813	0.595	50
¾	Orange Nut	1005130	360 002 814	0.595	50
1		1005118	360 002 816	0.860	50
1	Orange Nut	10003110	360 027 962	0.882	50
1 ¼		1005120	360 002 818	1.499	20
1 ¼	Orange Nut	1005140	360 002 819	1.521	20
1 ½		1005124	360 002 821	1.720	20
1 ½	Orange Nut	10003111	360 027 963	1.764	20
2		1005122	360 002 824	2.734	10
2	Orange Nut	1000016	360 020 523	2.623	10



INSULATED UNIONS: 150# "O" Ring Style Galvanized Malleable Iron (GMI) Flat Faced Type, 150 Class 300 CWP Working Pressure

- Specifics: Stops Galvanic and Electrolytic Corrosion of Mains and Services; Permanent Economical Protection; Protects against stray or induced currents.
- Approval: ASTM A197
- Standard: ANSI B1.20.1
- Call for availability of other sizes and dimensions.

Size (inch)	GFCP (GMI) Part No.	GF Part No.	weight (lb)	Box Qty
¾	1005117	360 002 815	0.617	50
1	1005119	360 002 817	0.860	50
1 ¼	1005121	360 002 820	1.499	20
1 ½	1005125	360 002 822	1.852	20
2	1005123	360 002 825	2.756	10



INSULATED UNIONS: 3000# Forged Steel "O" Ring Style Flat Faced Type, 3000 lb Working Pressure

- Specifics: Stops Galvanic and Electrolytic Corrosion of Mains and Services; Permanent Economical Protection; Protects against stray or induced currents.
- Approval: ASTM A105
- Standard: ANSI B1.20.1
- Call for availability of other sizes and dimensions.

Size (inch)	GFCP Part No.	GF Part No.	weight (lb)	Box Qty
¼	108141499001	360 003 839	0.353	100
½	108505010000	360 003 840	0.728	50
¾	108757510000	360 003 214	1.124	30
1	108010110000	360 003 205	1.720	20
1 ¼	108121210000	360 003 209	2.513	10

table continued on the next page

Size (inch)	GFCP Part No.	GF Part No.	weight (lb)	Box Qty
1 ½	108151510000	360 003 211	3.395	10
2	108020210000	360 003 207	5.512	5
2 ½	108252510000	360 003 212	9.678	2
3	108030310000	360 003 208	13.470	2

Insulated Unions - Ground Joint



INSULATED UNIONS: 150# Ground Joint Black Malleable Iron (BMI) 150 Class 300 CWP Working Pressure

- Specifics: Stops Galvanic and Electrolytic Corrosion of Mains and Services; Permanent Economical Protection; Protects against stray or induced currents.
- Approval: ASTM A197
- Standard: ANSI B1.20.1
- Call for availability of other sizes and dimensions.

Size (inch)	GFCP (BMI) Part No.	GF Part No.	weight (lb)	Box Qty
½	10003374	360 002 800	0.529	75
¾	1005100	360 002 803	0.595	50
1	1005102	360 002 805	0.838	50
1 ¼	1005104	360 002 807	1.499	20
1 ½	1005108	360 002 809	1.786	20
2	1005106	360 002 811	2.646	10



INSULATED UNIONS: 150# Ground Joint Galvanized Malleable Iron (GMI) 150 Class 300 CWP Working Pressure

- Specifics: Stops Galvanic and Electrolytic Corrosion of Mains and Services; Permanent Economical Protection; Protects against stray or induced currents.
- Approval: ASTM A197
- Standard: ANSI B1.20.1
- Call for availability of other sizes and dimensions.

Size (inch)	GFCP (GMI) Part No.	GF Part No.	weight (lb)	Box Qty
¾	1005101	360 002 804	0.639	50
1	1005103	360 002 806	0.882	50
1 ¼	1005105	360 002 808	1.477	20
1 ½	1005109	360 002 810	1.786	20
2	1005107	360 002 812	2.690	10



INSULATED UNIONS: 3000# Forged Steel Ground Joint 3000# Working Pressure

- Specifics: Stops Galvanic and Electrolytic Corrosion of Mains and Services; Permanent Economical Protection; Protects against stray or induced currents.
- Approval: ASTM A105
- Standard: ANSI B1.20.1
- Call for availability of other sizes and dimensions.

Size (inch)	GFCP Part No.	GF Part No.	weight (lb)	Box Qty
¼	108141400000	360 003 210	0.375	100
¾	108383800000	360 003 213	0.485	75
½	108505000000	360 002 801	0.750	50
¾	108757500000	360 002 867	1.168	30

table continued on the next page

Size (inch)	GFCP Part No.	GF Part No.	weight (lb)	Box Qty
1	108010100000	360 002 866	1.742	20
1 ¼	108121200000	360 002 868	2.535	10
1 ½	108151500000	360 002 869	3.483	10
2	108020200000	360 003 206	5.423	5

Meter Swivels

Meter Swivels: Straights



METER SWIVELS: Insulated Straight Swivel Black Malleable Iron (BMI)

- Approval: ASTM A197
- Standard: ANSI B109.1
- Standard: ANSI B1.20.1
- Call for availability of other sizes and dimensions.

Size	MPT Dia. (inch)	Length (inch)	GFCP (BMI) Part No.	GF Part No.	weight (lb)	Box Qty
10LT	¾	2.31	0081002	360 002 382	0.243	150
20LT	1	2.75	0081000	360 002 397	0.441	80
30LT	1 ¼	2.91	0081008	360 002 405	0.573	60
45LT	1 ½	2.94	0081018	360 002 411	0.617	40
100LT	2	3.75	0081016	360 002 374	1.433	15
20-10LT	¾	2.38	0081012	360 002 393	0.309	100
30-20LT	1	2.84	0081010	360 002 400	0.441	70
45-30LT	1 ¼	3.88	0081014	360 002 407	0.904	35
1A	¾	2.38	0081004	360 002 388	0.287	120
1A	1	2.41	0081026	360 002 390	0.353	100



METER SWIVELS: Insulated Straight Swivel Galvanized Malleable Iron (GMI)

- Approval: ASTM A197
- Standard: ANSI B1.20.1
- Standard: ANSI B109.1
- Call for availability of other sizes and dimensions.

Size	MPT Dia. (inch)	Length (inch)	GFCP (GMI) Part No.	GF Part No.	weight (lb)	Box Qty
10LT	¾	2.31	0081003	360 002 383	0.265	150
20LT	1	2.75	0081001	360 002 399	0.441	80
30LT	1 ¼	2.91	0081009	360 002 406	0.551	60
45LT	1 ½	2.94	0081019	360 002 413	0.661	40
100LT	2	3.75	0081017	360 002 375	1.477	15
20-10LT	¾	2.38	0081013	360 002 394	0.309	100
30-20LT	1	2.84	0081011	360 002 401	0.485	70
45-30LT	1 ¼	3.88	0081015	360 002 408	0.970	35
1A	¾	2.38	0081005	360 002 389	0.309	120
1A	1	2.41	0081027	360 002 391	0.353	100



METER SWIVELS: Non-Insulated Straight Swivel Black Malleable Iron (BMI)

- Approval: ASTM A197
- Standard: ANSI B1.20.1
- Standard: ANSI B109.1
- Call for availability of other sizes and dimensions.

Size	MPT Dia. (inch)	Length (inch)	GFCP (BMI) Part No.	GF Part No.	weight (lb)	Box Qty
10LT	¾	2.31	0150078	360 002 426	0.287	150
20LT	1	2.75	0150072	360 002 452	0.463	90
20LT	1	2.75	10003606	360 002 453	0.441	90
30LT	1 ¼	2.91	0150092	360 002 464	0.573	50

table continued on the next page

Size	MPT Dia. (inch)	Length (inch)	GFCP (BMI) Part No.	GF Part No.	weight (lb)	Box Qty
45LT	1 ½	2.94	0150094	360 002 475	0.639	45
45LT	1 ½	2.94	10001759	360 002 476	0.617	45
100LT	2	3.75	0150104	360 002 416	1.433	20
20-10LT	¾	2.38	0150100	360 002 445	0.243	100
30-20LT	1	2.84	0150102	360 002 458	0.485	70
45-30LT	1 ¼	3.88	0080028	360 002 468	0.926	35
1A	¾	1.12	0170026	360 002 430	0.154	250
1A	¾	2.38	0170022	360 002 435	0.331	120
1A	1	2.41	0170020	360 002 437	0.397	100
#2	1 ¼	3.12	017221200304	360 027 779	0.606	50
#4	1 ½	3.06	10001802	360 002 414	0.838	
#4	1 ½	3.06	017331500302	360 027 780	0.882	40



METER SWIVELS: Non-Insulated Straight Swivel Galvanized Malleable Iron (GMI)

- Approval: ASTM A197
- Standard: ANSI B1.20.1
- Standard: ANSI B109.1
- Call for availability of other sizes and dimensions.

Size	MPT Dia. (inch)	Length (inch)	GFCP (GMI) Part No.	GF Part No.	weight (lb)	Box Qty
10LT	¾	2.31	0150079	360 002 427	0.287	150
20LT	1	2.75	0150073	360 002 454	0.463	90
30LT	1 ¼	2.91	0150093	360 002 465	0.595	50
45LT	1 ½	2.94	0150095	360 002 477	0.639	45
100LT	2	3.75	0150105	360 002 417	1.433	20
20-10LT	¾	2.38	0150101	360 002 446	0.529	100
30-20LT	1	2.84	0150103	360 002 459	0.485	70
45-30LT	1 ¼	3.88	0080029	360 002 469	0.948	35
1A	¾	2.38	0170023	360 002 436	0.331	120
1A	1	2.41	0170021	360 002 438	0.397	100

Meter Swivels: Females



METER SWIVELS: Insulated Female Swivel Black Malleable Iron (BMI)

- Approval: ASTM A197
- Standard: ANSI B1.20.1
- Standard: ANSI B109.1
- Call for availability of other sizes and dimensions.

Size	FPT Dia. (inch)	Length (inch)	GFCP (BMI) Part No.	GF Part No.	weight (lb)	Box Qty
1A	¾	1.12	0170026	360 002 430	0.154	250
5A	2	2.06	10003334	360 002 479	1.345	25



**METER SWIVELS: Insulated Female Swivel
Galvanized Malleable Iron (GMI)**

- Approval: ASTM A197
- Standard: ANSI B1.20.1
- Standard: ANSI B109.1
- Call for availability of other sizes and dimensions.

Size	FPT Dia. (inch)	Length (inch)	GFCP (GMI) Part No.	GF weight (lb)	Box Qty
1A	¾	1.29	0120004	360 027 772	0.154 250



**METER SWIVELS: Non-Insulated Female Swivel
Galvanized Malleable Iron (GMI)**

- Approval: ASTM A197
- Standard: ANSI B1.20.1
- Standard: ANSI B109.1
- Call for availability of other sizes and dimensions.

Size	FPT Dia. (inch)	Length (inch)	GFCP (GMI) Part No.	GF weight (lb)	Box Qty
5A	2	2.06	0170027	360 002 431	0.154 250
5A	2	2.06	10003335	360 002 480	1.367 25

Meter Swivels: Offsets



**METER SWIVELS: Insulated Offset Meter Swivel
Black Malleable Iron (BMI)**

- Approval: ASTM A197
- Standard: ANSI B1.20.1
- Standard: ANSI B109.1
- Please call for pricing and availability.

Size	MPT Dia. (inch)	Offset (inch)	Length (inch)	GFCP (BMI) Part No.	GF weight (lb)	Box Qty
10LT	¾	1.00	3.12	0081202	360 002 379	0.397 100
10LT	¾	3.94	4.12	0081214	360 002 381	0.772 50
20LT	1	1.00	3.50	0081200	360 002 395	0.573 60
30LT	1 ¼	1.00	3.75	0081210	360 002 402	0.705 35
45LT	1 ½	1.00	4.00	0081264	360 002 409	1.058 35
45LT	1 ½	2.50	5.50	10010279	360 027 776	1.455 25
10-5LT	½	3.00	4.00	0081206	360 002 376	0.573 70
20-10LT	¾	1.62	3.75	0081212	360 002 392	0.573 60
1A	½	2.75	3.31	0081216	360 002 384	0.507 60
1A	¾	1.00	2.69	0081204	360 002 386	0.309 120



**METER SWIVELS: Non-Insulated Offset Meter Swivel
Black Malleable Iron (BMI)**

- Approval: ASTM A197
- Standard: ANSI B1.20.1
- Standard: ANSI B109.1
- Call for availability of other sizes and dimensions.

Size	MPT Dia. (inch)	Offset (inch)	Length (inch)	GFCP (BMI) Part No.	GF Part No.	weight (lb)	Box Qty
10LT	¾	0.50	2.31	0150082	360 002 421	0.265	150
10LT	¾	1.00	3.12	0150080	360 002 423	0.419	100
10LT	¾	3.94	4.13	0150098	360 002 425	0.529	50
20LT	1	1.00	3.50	0150074	360 002 449	0.683	70
30LT	1 ¼	1.00	3.75	0150084	360 002 461	0.750	40
45LT	1 ½	1.00	4.00	0150096	360 002 472	1.058	35
45LT	1 ½	2.50	5.50	10010018	360 027 788	1.455	25
60LT	1 ½	1.00	5.38	0080230	360 002 481	1.367	15
10-5LT	½	3.00	4.00	0150090	360 016 691	0.002	70
20-10LT	¾	3.62	3.50	10003332	360 027 785	0.776	50
20-10LT	¾	1.62	3.75	10003330	360 002 441	0.529	60
30-20LT	1	1.00	2.84	10003134	360 002 456	0.529	75
1A	½	2.75	3.31	0170018	360 002 428	0.551	70
1A	¾	1.00	2.69	0170024	360 002 432	0.353	120



**METER SWIVELS: Non-Insulated Offset Meter Swivel
Galvanized Malleable Iron (GMI)**

- Approval: ASTM A197
- Standard: ANSI B1.20.1
- Standard: ANSI B109.1
- Call for availability of other sizes and dimensions.

Size	MPT Dia. (inch)	Offset (inch)	Length (inch)	GFCP (GMI) Part No.	GF Part No.	weight (lb)	Box Qty
10LT	¾	0.50	2.31	0150083	360 002 422	0.287	150
10LT	¾	1.00	3.12	0150081	360 002 424	0.507	100
20LT	1	1.00	3.50	0150075	360 002 451	0.573	70
30LT	1 ¼	1.00	3.75	0150085	360 002 462	0.772	40
45LT	1 ½	1.00	4.00	0150097	360 002 474	1.124	35
45LT	1 ½	2.50	5.50	10010019	360 027 789	1.477	25
10-5LT	½	3.00	4.00	0150091	360 002 419	0.529	70
20-10LT	¾	3.62	3.50	10003333	360 027 786	0.780	50
20-10LT	¾	1.62	3.75	10003331	360 002 443	0.551	60
30-20LT	1	1.00	2.84	10003135	360 002 457	0.529	75
1A	½	2.75	3.31	0170019	360 002 429	0.551	70
1A	¾	1.00	2.69	0170025	360 002 433	0.353	120

Meter Swivels: Elbows



METER SWIVELS: Insulated 90° Elbow Black Malleable Iron (BMI)

- Approval: ASTM A197
- Standard: ANSI B1.20.1
- Standard: ANSI B109.1
- Call for availability of other sizes and dimensions.

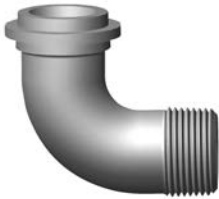
Size	MPT Dia. (inch)	Length (inch)	GFCP (BMI) Part No.	weight (lb)	GF Part No.	Box Qty
20LT	1	2.22	010200130000	0.580	360 003 203	60



METER SWIVELS: Insulated 90° Elbow Galvanized Malleable Iron (GMI)

- Approval: ASTM A197
- Standard: ANSI B1.20.1
- Standard: ANSI B109.1
- Call for availability of other sizes and dimensions.

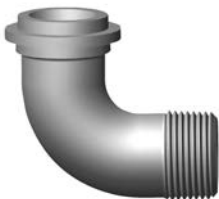
Size	MPT Dia. (inch)	Length (inch)	GFCP (GMI) Part No.	GF Part No.	weight (lb)	Box Qty
20LT	1	2.22	010200131000	360 003 204	0.595	60



METER SWIVELS: Non-Insulated 90° Elbow Black Malleable Iron (BMI)

- Approval: ASTM A197
- Standard: ANSI B1.20.1
- Standard: ANSI B109.1
- Call for availability of other sizes and dimensions.

Size	MPT Dia. (inch)	Length (inch)	GFCP (BMI) Part No.	GF Part No.	weight (lb)	Box Qty
10LT	¾	2.03	0150076	360 002 420	0.353	100
20LT	1	2.22	0150112	360 002 447	0.595	50



METER SWIVELS: Non-Insulated 90° Elbow Galvanized Malleable Iron (GMI)

- Approval: ASTM A197
- Standard: ANSI B1.20.1
- Standard: ANSI B109.1
- Call for availability of other sizes and dimensions.

Size	MPT Dia. (inch)	Length (inch)	GFCP (GMI) Part No.	GF Part No.	weight (lb)	Box Qty
20LT	1	2.22	0150113	360 002 448	0.595	50

Meter Swivels: Nuts



METER SWIVELS: Swivel Nut Black Malleable Iron (BMI)

- Approval: ASTM A197
- Standard: ANSI B1.20.1
- Standard: ANSI B109.1
- Call for availability of other sizes and dimensions.

Size	GFCP (BMI) Part No.	GF Part No.	weight (lb)	Box Qty
10LT	0150066	360 001 994	0.176	250
20LT	0150068	360 001 999	0.243	150
30LT	0150070	360 002 001	0.287	100
45LT	0150086	360 002 003	0.243	80
60LT	0070016	360 002 006	0.485	75
100LT	0100068	360 027 687	1.146	30
1A	0170016	360 001 996	0.243	150
1.25	0160063	360 027 685	0.220	150
#3 (#4)	012SN1150000	360 001 991	0.661	25



METER SWIVELS: Swivel Nut Galvanized Malleable Iron (GMI)

- Approval: ASTM A197
- Standard: ANSI B1.20.1
- Standard: ANSI B109.1
- Call for availability of other sizes and dimensions.

Size	GFCP (GMI) Part No.	GF Part No.	weight (lb)	Box Qty
10LT	0150067	360 001 995	0.176	250
20LT	0150069	360 002 000	0.243	150
30LT	0150071	360 002 002	0.353	100
45LT	0150087	360 002 004	0.243	80
100LT	0100069	360 027 688	1.190	30
1.25	0160064	360 027 686	0.220	150
1A	0170017	360 001 997	0.243	150
5A	0170007	360 002 005	1.609	25
#3 (#4)	012SN1151000	360 001 992	0.683	25



METER SWIVELS: Swivel Gasket

- Specifics: Rubber Neoprene 70 Durometer .100 Thick
- Standard: ANSI B109.1
- Approval: ASTM D2000
- Call for availability of other sizes and dimensions.

Size	GFCP Part No.	GF Part No.	weight (lb)	Bag Qty.
5LT	10003074	360 027 770	2.205	100
10LT	10003075	360 027 767	0.002	100
20LT	10003076	360 003 031	0.022	100
30LT	10003077	360 003 032	0.022	100
45LT	10003078	360 003 033	0.022	100
100LT	10003080	360 027 766	0.020	100
1A (#1)	10003081	360 027 768	0.022	100
#2	10003082	360 027 764	0.020	100
#3 (#4)	10003083	360 027 765	0.020	100
5A (#5)	10003084	360 027 769	0.020	100

Steel Mechanical Fittings



**STEEL MECHANICAL FITTINGS: Compression Coupling
IPS, DR11 EXT Coating**

- Call for availability of other sizes and dimensions.

Size (inch)	GFCP Part No.	GF Part No.	weight (lb)	Box Qty
¾	10000507	360 000 703	2.998	16
1	10000508	360 000 704	3.748	15
1 ¼	10000509	360 000 705	4.938	10
1 ½	10000445	360 000 706	8.003	5
2	10000446	360 000 707	12.192	3



**STEEL MECHANICAL FITTINGS: Compression Tee
IPS, DR11 EXT Coating**

- Call for availability of other sizes and dimensions.

Size (inch)	GFCP Part No.	SAP Part No.	weight (lb)	Box Qty
¾	10000490	360 000 715	4.519	10
1	10000493	360 000 713	5.401	10
1 ¼	10000487	360 000 712	7.385	6
1 ½	10000496	360 000 711	12.059	4
2	10000499	360 000 714	19.511	2

**STEEL MECHANICAL FITTINGS: Compression Male Adapter
EXT Coating**



- Call for availability of other sizes and dimensions.

Size (inch)	Standard	SDR	GFCP Part No.	GF Part No.	weight (lb)	Box Qty
½ - ½	MPT x IPS	9.3	66050500000	360 000 708	1.345	35
¾ - ¾	MPT x IPS	11	66075750000	360 011 406	1.786	35
1 - 1	MPT x CTS	.099	66001110000	360 011 407	1.676	25
1 - 1	MPT x IPS	11	66001010000	360 011 408	2.050	25
1 - 1 ¼	MPT x IPS	10	66001120000	360 011 409	2.822	18
1 ¼ - 1 ¼	MPT x IPS	10	66012120000	360 011 410	3.086	20
1 ½ - 1 ½	MPT x IPS	11	10002388	360 000 709	3.373	10
2 - 2	MPT x MPT	11	10002389	360 000 710	6.239	6



**STEEL MECHANICAL FITTINGS: Compression Riser
MPT x IPS (36V x 24H)**

- Call for availability of other sizes and dimensions.

Size (inch)	GFCP Part No.	GF Part No.	weight (lb)	Box Qty
¾ - ¾	610757536000	360 011 505	5.754	8
1 - 1	610010136000	360 011 510	8.422	6
1 - 1	610010124000	360 011 506	8.929	6
1 - 1 ¼	610011236000	360 011 512	9.502	6
1 ¼ - 1 ¼	610121236000	360 011 517	10.494	5
1 ¼ - 1 ¼	610121224000	360 011 513	11.089	5
1 ½ - 1 ½	10002382	360 011 522	13.691	4
2 - 2	10002385	360 011 527	19.004	2



STEEL MECHANICAL FITTINGS: Compression Riser
MPT x IPS (30V x 30H)

- Call for availability of other sizes and dimensions.

Size (inch)	GFCP Part No.	GF Part No.	weight (lb)	Box Qty
¾ - ¾	10003247	360 011 503	6.019	8
1 - 1	6100020	360 011 508	8.620	6
1 ¼ - 1 ¼	10003254	360 011 515	11.729	5
1 ½ - 1 ½	10003248	360 011 521	13.889	4
2 - 2	10003249	360 011 525	19.996	2



STEEL MECHANICAL FITTINGS: Compression Riser
MPT x IPS (24V x 36H), DR11

- Call for availability of other sizes and dimensions.

Size (inch)	GFCP Part No.	GF Part No.	weight (lb)	Box Qty
1 - 1	61001012400	360 011 506	8.929	6
1 ½ - 1 ½	10002381	360 011 519	13.889	4
2 - 2	10002384	360 011 523	19.004	2

Index

Part No.	Page	Part No.	Page	Part No.	Page	Part No.	Page
0070016	36	0150091	34	10003081	36	10008465	22
0080028	32	0150092	31	10003082	36	10008466	22
0080029	32	0150093	32	10003083	36	10008467	23
0080230	34	0150094	32	10003084	36	10008468	23
0081000	31	0150095	32	10003110	28	10008469	23
0081001	31	0150096	34	10003111	28	10008470	23
0081002	31	0150097	34	10003115	14	10008471	23
0081003	31	0150098	34	10003134	34	10008472	22
0081004	31	0150100	32	10003135	34	10008599	2
0081005	31	0150101	32	10003221	6	10008664	6
0081008	31	0150102	32	10003247	41	10008773	14
0081009	31	0150103	32	10003248	41	10009012	21
0081010	31	0150104	32	10003249	41	10009013	21
0081011	31	0150105	32	10003254	41	10009014	21
0081012	31	0150112	35	10003283	7	10009015	21
0081013	31	0150113	35	10003306	7	10009016	21
0081014	31	0160063	36	10003330	34	10009017	21
0081015	31	0160064	36	10003331	34	10009018	21
0081016	31	0170007	36	10003332	34	10009019	20
0081017	31	0170016	36	10003333	34	10009020	20
0081018	31	0170017	36	10003334	32	10009021	20
0081019	31	0170018	34	10003335	33	10009022	20
0081026	31	0170019	34	10003374	29	10009023	20
0081027	31	0170020	32	10003439	17	10009024	20
0081200	33	0170021	32	10003441	17	10009025	20
0081202	33	0170022	32	10003443	17	10009026	19
0081204	33	0170023	32	10003445	17	10009027	19
0081206	33	0170024	34	10003447	17	10009028	19
0081210	33	0170025	34	10003606	31	10009029	19
0081212	33	0170026	32, 32	10003622	6	10009030	19
0081214	33	0170027	33	10003739	14	10009031	19
0081216	33	017221200304	32	10003777	14	10009032	19
0081264	33	017331500302	32	10003830	14	10009034	2
0100068	36	1000016	28	10003887	7	10009046	1
0100069	36	10000343	1	10004053	14	10009075	22
010200130000	35	10000445	37	10006044	2	10009378	1
010200131000	35	10000446	37	10006098	7	10009460	24
0120004	33	10000487	38	10006244	2	10009461	24
012SN1150000	36	10000490	38	10006245	2	10009615	2
012SN1151000	36	10000493	38	10006752	6	10009701	2
0150066	36	10000496	38	10007197	16	10010018	34
0150067	36	10000499	38	10007258	1	10010019	34
0150068	36	10000507	37	10007259	1	10010051	1
0150069	36	10000508	37	10007465	6	10010081	23
0150070	36	10000509	37	10007466	7	10010279	33
0150071	36	10000522	6	10007798	6	10010328	23
0150072	31	10001688	1, 2	10007957	1	10010349	6
0150073	32	10001759	32	10007973	6	10010630	15
0150074	34	10001802	32	10007974	6	10010779	2
0150075	34	10001826	2	10007975	6	10010850	14
0150076	35	10002381	42	10007976	6	10010883	1
0150078	31	10002382	40	10007977	6	10010884	15
0150079	32	10002384	42	10007978	6	10010973	14
0150080	34	10002385	40	10007979	6	10011327	7
0150081	34	10002388	39	10007980	6	10011328	7
0150082	34	10002389	39	10008158	1	10011329	7
0150083	34	10003074	36	10008219	6	10011572	1
0150084	34	10003075	36	10008345	1	10011682	6
0150085	34	10003076	36	10008461	22	10012234	15
0150086	36	10003077	36	10008462	22	10012382	1
0150087	36	10003078	36	10008463	22	10012473	1
0150090	34	10003080	36	10008464	22	10012479	21

Index

Part No.	Page	Part No.	Page	Part No.	Page	Part No.	Page
10012545	2	360 000 707	37	360 002 408	31	360 002 489	20
10012557	1	360 000 708	39	360 002 409	33	360 002 490	20
10013168	16	360 000 709	39	360 002 411	31	360 002 491	20
10013337	14	360 000 710	39	360 002 413	31	360 002 492	20
10013476	8	360 000 711	38	360 002 414	32	360 002 493	19
10013593	15	360 000 712	38	360 002 416	32	360 002 494	19
10013829	16	360 000 713	38	360 002 417	32	360 002 495	19
10014489	15	360 000 714	38	360 002 419	34	360 002 496	19
10014654	16	360 000 715	38	360 002 420	35	360 002 497	19
1005100	29	360 001 606	23	360 002 421	34	360 002 498	21
1005101	29	360 001 607	23	360 002 422	34	360 002 499	21
1005102	29	360 001 608	22	360 002 423	34	360 002 500	21
1005103	29	360 001 609	22	360 002 424	34	360 002 501	21
1005104	29	360 001 610	22	360 002 425	34	360 002 502	21
1005105	29	360 001 611	23	360 002 426	31	360 002 503	21
1005106	29	360 001 612	24	360 002 427	32	360 002 504	21
1005107	29	360 001 613	22	360 002 428	34	360 002 505	15
1005108	29	360 001 614	22	360 002 429	34	360 002 506	15
1005109	29	360 001 615	23	360 002 430	32, 32	360 002 515	6
1005116	28	360 001 616	22	360 002 431	33	360 002 517	6
1005117	28	360 001 617	23	360 002 432	34	360 002 518	7
1005118	28	360 001 618	22	360 002 433	34	360 002 525	14
1005119	28	360 001 619	22	360 002 435	32	360 002 527	14
1005120	28	360 001 991	36	360 002 436	32	360 002 530	14
1005121	28	360 001 992	36	360 002 437	32	360 002 533	15
1005122	28	360 001 994	36	360 002 438	32	360 002 534	15
1005123	28	360 001 995	36	360 002 441	34	360 002 535	18
1005124	28	360 001 996	36	360 002 443	34	360 002 536	18
1005125	28	360 001 997	36	360 002 445	32	360 002 537	18
1005130	28	360 001 999	36	360 002 446	32	360 002 538	18
1005140	28	360 002 000	36	360 002 447	35	360 002 539	18
108010100000	30	360 002 001	36	360 002 448	35	360 002 540	6
108010110000	28	360 002 002	36	360 002 449	34	360 002 541	6
108020200000	30	360 002 003	36	360 002 451	34	360 002 542	6
108020210000	29	360 002 004	36	360 002 452	31	360 002 547	6
108030310000	29	360 002 005	36	360 002 453	31	360 002 548	6
108121200000	30	360 002 006	36	360 002 454	32	360 002 553	6
108121210000	28	360 002 374	31	360 002 456	34	360 002 554	6
108141400000	29	360 002 375	31	360 002 457	34	360 002 556	6
108141499001	28	360 002 376	33	360 002 458	32	360 002 557	6
108151500000	30	360 002 379	33	360 002 459	32	360 002 558	6
108151510000	29	360 002 381	33	360 002 461	34	360 002 560	6
108252510000	29	360 002 382	31	360 002 462	34	360 002 561	6
108383800000	29	360 002 383	31	360 002 464	31	360 002 562	6
108505000000	29	360 002 384	33	360 002 465	32	360 002 564	6
108505010000	28	360 002 386	33	360 002 468	32	360 002 566	6
108757500000	29	360 002 388	31	360 002 469	32	360 002 567	6
108757510000	28	360 002 389	31	360 002 472	34	360 002 572	7
360 000 090	1	360 002 390	31	360 002 474	34	360 002 574	7
360 000 112	1	360 002 391	31	360 002 475	32	360 002 575	7
360 000 122	1	360 002 392	33	360 002 476	32	360 002 576	7
360 000 124	1	360 002 393	31	360 002 477	32	360 002 577	7
360 000 138	1	360 002 394	31	360 002 479	32	360 002 578	7
360 000 148	2	360 002 395	33	360 002 480	33	360 002 579	16
360 000 149	2	360 002 397	31	360 002 481	34	360 002 580	16
360 000 151	1, 2	360 002 399	31	360 002 482	17	360 002 581	14
360 000 161	1	360 002 400	31	360 002 483	17	360 002 588	14
360 000 162	1	360 002 401	31	360 002 484	17	360 002 591	14
360 000 703	37	360 002 402	33	360 002 485	17	360 002 595	14
360 000 704	37	360 002 405	31	360 002 486	17	360 002 596	14
360 000 705	37	360 002 406	31	360 002 487	20	360 002 599	14
360 000 706	37	360 002 407	31	360 002 488	20	360 002 601	14

Index

Part No.	Page	Part No.	Page	Part No.	Page	Part No.	Page
360 002 602	14	360 003 646	1	360 003 841	16	360 013 840	6
360 002 607	14	360 003 648	1	360 003 842	16	360 013 845	7
360 002 613	14	360 003 654	1	360 003 843	16	360 013 846	7
360 002 616	14	360 003 656	1	360 003 844	16	360 013 847	7
360 002 622	14	360 003 657	2	360 003 845	16	360 013 848	7
360 002 623	14	360 003 658	1, 2	360 003 846	16	360 013 850	16
360 002 629	14	360 003 659	2	360 003 847	16	360 013 861	14
360 002 634	14	360 003 663	2	360 003 853	14	360 013 863	14
360 002 635	14	360 003 665	2	360 003 854	14	360 013 895	14
360 002 641	14	360 003 677	20	360 003 869	14	360 013 924	14
360 002 646	14	360 003 678	19	360 011 048	1	360 013 974	14
360 002 647	14	360 003 679	19	360 011 074	1	360 014 051	8
360 002 648	14	360 003 754	15	360 011 078	1	360 016 691	34
360 002 653	14	360 003 755	15	360 011 122	1	360 020 523	28
360 002 800	29	360 003 756	15	360 011 123	1	360 021 340	1
360 002 801	29	360 003 757	15	360 011 156	2	360 027 685	36
360 002 803	29	360 003 758	15	360 011 161	2	360 027 686	36
360 002 804	29	360 003 777	6	360 011 163	2	360 027 687	36
360 002 805	29	360 003 778	6	360 011 169	1	360 027 688	36
360 002 806	29	360 003 779	6	360 011 215	2	360 027 764	36
360 002 807	29	360 003 781	6	360 011 223	2	360 027 765	36
360 002 808	29	360 003 783	6	360 011 406	39	360 027 766	36
360 002 809	29	360 003 784	7	360 011 407	39	360 027 767	36
360 002 810	29	360 003 785	7	360 011 408	39	360 027 768	36
360 002 811	29	360 003 787	6	360 011 409	39	360 027 769	36
360 002 812	29	360 003 788	6	360 011 410	39	360 027 770	36
360 002 813	28	360 003 790	7	360 011 502	10	360 027 772	33
360 002 814	28	360 003 791	7	360 011 503	41	360 027 776	33
360 002 815	28	360 003 792	7	360 011 504	10	360 027 779	32
360 002 816	28	360 003 793	7	360 011 505	40	360 027 780	32
360 002 817	28	360 003 794	7	360 011 506	40, 42	360 027 785	34
360 002 818	28	360 003 795	7	360 011 507	10	360 027 786	34
360 002 819	28	360 003 796	7	360 011 508	41	360 027 788	34
360 002 820	28	360 003 797	7	360 011 509	10	360 027 789	34
360 002 821	28	360 003 798	7	360 011 510	40	360 027 962	28
360 002 822	28	360 003 799	7	360 011 511	10	360 027 963	28
360 002 824	28	360 003 800	7	360 011 512	40	360 028 422	15
360 002 825	28	360 003 801	7	360 011 513	40	360 028 426	16
360 002 866	30	360 003 804	8	360 011 514	10	360 029 216	15
360 002 867	29	360 003 806	8	360 011 515	41	6000020	9
360 002 868	30	360 003 807	8	360 011 516	10	6000035	8
360 002 869	30	360 003 811	8	360 011 517	40	6000052	9
360 003 031	36	360 003 812	8	360 011 518	10	600010124000	8
360 003 032	36	360 003 813	8	360 011 519	42	600010124004	9
360 003 033	36	360 003 815	8	360 011 521	41	600010136000	8
360 003 124	2	360 003 816	8	360 011 522	40	6000104	8
360 003 125	2	360 003 817	8	360 011 523	42	600011236000	8
360 003 203	35	360 003 818	8	360 011 525	41	6000119	8
360 003 204	35	360 003 820	8	360 011 527	40	6000121	8
360 003 205	28	360 003 821	8	360 011 709	23	6000122	8
360 003 206	30	360 003 823	8	360 011 710	23	600020222400	8
360 003 207	29	360 003 824	8	360 013 697	21	600020224004	9
360 003 208	29	360 003 826	8	360 013 704	15	600020236000	8
360 003 209	28	360 003 832	9	360 013 705	15	600121224000	8
360 003 210	29	360 003 833	9	360 013 706	15	600121224004	9
360 003 211	29	360 003 834	9	360 013 807	6	600121236000	8
360 003 212	29	360 003 835	9	360 013 814	6	600151524000	8
360 003 213	29	360 003 836	9	360 013 818	6	600151524004	9
360 003 214	28	360 003 837	9	360 013 824	6	600151536000	8
360 003 512	6	360 003 838	9	360 013 828	6	600757536000	8
360 003 642	24	360 003 839	28	360 013 832	6	600757536004	9
360 003 645	1	360 003 840	28	360 013 837	6	6100001	10

Index

Part No.	Page	Part No.	Page
6100002	10	650060621810	16
6100020	41	650060630000	15
6100063	10	6500629	14
61001012400	42	6500642	14
610010124000	40	6500664	6
610010124004	10	650080830000	15
610010136000	40	6500829	15
610010136004	10	6500891	14
610011236000	40	6500894	14
610121224000	40	6500929	14
610121224004	10	6500953	6
610121236000	40	6500959	14
610121236004	10	6500980	14
610757524004	10	6500983	14
610757536000	40	6501024	14
6360508	1	6501028	7
6380148	1, 2	6501065	6
6380150	1	6501066	6
6380165	1	6501067	6
6380177	2	6501129	14
6380225	1	6501152	6
6380272	2	6501155	7
6380273	1	6501160	6
6380297	2	6501173	14
6500011	14	6501175	14
6500015	16	6501180	6
6500020	7	6501193	15
6500062	6	6501194	14
6500064	6	6501197	15
6500094	16	6501211	6
650010110800	6	6501212	6
650010111800	7	650121211810	7
650011210000	6	6501214	7
6500125	15	6501229	18
6500163	15	6501230	18
650020210820	6	6501231	18
650020211000	7	6501232	18
650020211800	7	6501233	18
650020211820	7	650151500000	14
650020221800	16	650757511100	7
650020221820	16	660010100000	39
6500214	6	660011100000	39
650030310810	7	660011200000	39
650030311810	7	660121200000	39
650030311830	7	660505000000	39
650030321810	16	660757500000	39
650030321830	16		
650030330000	15		
6500311	14		
6500318	14		
6500321	14		
6500322	14		
6500323	14		
650040410810	7		
650040411810	7		
650040411830	7		
650040421810	16		
650040430000	15		
6500500	14		
6500522	14		
6500576	14		
650060611810	7		