

MODEL STXB-UL762

UPBLAST BELT DRIVE CENTRIFUGAL ROOF/SIDEWALL EXHAUSTER FOR RESTAURANT AND GENERAL EXHAUST



CENTRIFUGAL ROOF & WALL EXHAUSTERS

APPLICATION

Isolation of motor and drive components from the air stream and the high velocity vertical air discharge make the model STXB-UL762 ideally suited for the removal of dirty, contaminated and/or high temperature air from processes and buildings. Typical applications include restaurant hoods and similar kitchen exhaust ventilation, fume and smoke removal, laboratory fume hood exhaust and chemical process exhaust.

For grease removal applications the fan must be installed per NFPA 96 and with a 40" discharge height and hinged access base.

CONSTRUCTION

Housing

- Heavy-gauge aluminum for extra strength with prepunched mounting holes.
- Neoprene isolators for reduction of vibration and sound.
- Enclosed, ventilated motor/drive compartment isolates motor and drives from exhaust air.
- Cover easily removed for quick access to motor compartment.
- Water tight conduit tube for easy electrical connection.
- External weather proof disconnect is included on standard models.
- Lifting lugs for easy and safe placement on roof.
- Stainless steel exterior fasteners.

Centrifugal Wheel

- All aluminum backward inclined wheel.
- Nonoverloading for safe operation in ducted systems.
- Dynamically balanced for smooth operation.

Drives

- Sized for minimum 150% of drive horsepower.
- Machined cast iron adjustable motor pulleys.
- Adjustable base for belt tensioning.
- Nonstatic oil resistant v-belts.

AMCA SEAL



S&P USA Ventilation Systems, LLC., Div. of Soler & Palau Ventilation Group, certifies that the Models STXB shown herein are licensed to bear the AMCA Seal. The ratings shown are based on test and procedures performed in accordance with AMCA Publication 211 and AMCA Publication 311 and comply with the requirement of the AMCA Certified Ratings Program.



LISTED POWER ROOF VENTILATOR
UL STANDARD 762

Motors

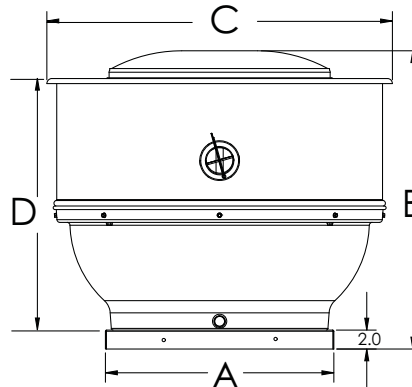
- Single speed open drip-proof are standard.
- All motors are rated for continuous duty.
- 182T and larger motors shipped unmounted for field installation.
- Disconnect switch standard with single speed drip-proof motors.

Bearings

- Heavy-duty ball bearing type.
- Prelubricated and permanently sealed.

DIMENSIONAL DATA

| MODEL STXB-RHUL | A | B | C | D | ROOF OPENING | Average Ship Wt. Lbs. |
|-----------------|--------|--------|--------|--------|--------------|-----------------------|
| 8 | 18 1/8 | 29 1/3 | 28 5/8 | 24 1/3 | 13 1/2 | 123 |
| 10 | 18 1/8 | 29 1/3 | 28 5/8 | 24 1/3 | 13 1/2 | 124 |
| 12 | 20 1/8 | 30 7/8 | 31 1/3 | 25 7/8 | 15 1/2 | 136 |
| 14 | 20 1/8 | 30 7/8 | 31 1/3 | 25 7/8 | 15 1/2 | 138 |
| 15 | 24 1/8 | 31 3/8 | 36 1/2 | 26 5/8 | 19 1/2 | 155 |
| 16 | 24 1/8 | 31 3/8 | 36 1/2 | 26 5/8 | 19 1/2 | 155 |



| Ship Schedules: |
|--------------------------------|
| ● Next Day Shipment From Stock |
| ▲ 3 Day Shipment From Stock |
| ◆ 10 Day Shipment |

Curb Cap adaptors are available to match old style TXB and competitors curb caps. Refer to Optimizer2 for sizes available on Quickship.

ACCESSORIES

| MODEL STXB-RHUL | 12" HIGH MOUNTING CURB (1) | | 18" HIGH MOUNTING CURB | DAMPER (2) | | DAMPER MOTOR (LOOSE) | AUTOMATIC BELT TENSIONER (INSTALLED) | HINGED BASE KIT | METAL GREASE BOX |
|-----------------|----------------------------|-----------|------------------------|------------|-----------|----------------------|--------------------------------------|-----------------|------------------|
| | OD | STOCK NO. | STOCK NO. | OD | STOCK NO. | STOCK NO. | STOCK NO. | STOCK NO. | STOCK NO. |
| 8 | 16 1/2 | 711216 ● | 721816V ● | 12 | 411012 ● | 411611 ● | 100069 ● | 400252 ● | 90005891-A ● |
| 10 | 16 1/2 | 711216 ● | 721816V ● | 12 | 411012 ● | 411611 ● | 100069 ● | 400252 ● | 90005891-A ● |
| 12 | 18 1/2 | 711218 ● | 721818V ● | 14 | 411014 ● | 411611 ● | 100070 ● | 400252 ● | 90005891-A ● |
| 14 | 18 1/2 | 711218 ● | 721818V ● | 14 | 411014 ● | 411611 ● | 100070 ● | 400252 ● | 90005891-A ● |
| 15 | 22 1/2 | 711222 ● | 721822V ● | 18 | 411018 ● | 411611 ● | 100070 ● | 400252 ● | 90005891-A ● |
| 16 | 22 1/2 | 711222 ● | 721822V ● | 18 | 411018 ● | 411611 ● | 100070 ● | 400252 ● | 90005891-A ● |

1 - RESTAURANT CURBS MUST BE 18" HIGH MINIMUM PER NFPA-96.
2 - DO NOT USE DAMPER FOR FANS IN GREASE REMOVAL APPLICATIONS PER NFPA 96.

ALL DIMENSIONS IN INCHES, WEIGHTS IN POUNDS. OD IS OUTSIDE DIMENSION OF SQUARE CURB AND DAMPER. DUE TO CONTINUING RESEARCH, S&P RESERVES THE RIGHT TO CHANGE SPECIFICATIONS WITHOUT NOTICE.

Please refer to the General Catalog or contact the Factory for our Full Line of products available on standard shipping schedules.

ACCESSORIES CONTINUED

| MODEL STXB | CURB CAP ADAPTOR (replace TXB with STXB using existing curb) | WALL MOUNT ADAPTOR | BIRDSCREEN (3) (Ships loose) | GREASE GRABBER | GREASE GRABBER FOR WALL |
|------------|--|--------------------|------------------------------|----------------|-------------------------|
| | STOCK NO. | STOCK NO. | STOCK NO. | STOCK NO. | STOCK NO. |
| 8 | CCA1816 ● | 400555 ● | 400248 ● | 708971 ● | 708971W ● |
| 10 | CCA1816 ● | 400555 ● | 400248 ● | 708971 ● | 708971W ● |
| 12 | CCA2024 ● | 400557 ● | 400249 ● | 708971 ● | 708971W ● |
| 14 | N/A | 400557 ● | 400249 ● | 708971 ● | 708971W ● |
| 15 | N/A | 400559 ● | 400250 ● | 708971 ● | 708971W ● |
| 16 | N/A | 400559 ● | 400250 ● | 708971 ● | 708971W ● |

3 - DO NOT USE FOR UL762 APPLICATIONS

| MODEL STXB-UL762 | | | | | Upblast Belt Drive Centrifugal Restaurant Roof Exhauster | | | | | | | Ventilator with Open Drip-proof Motor and Drive Assembly | |
|-------------------------|----------|----------|-------|----------------|---|------|------|------|------|-------|-------|--|------------------|
| Model STXB | Motor Hp | Max. BHp | RPM | Sones @ 1/4 SP | CFM at Static Pressure | | | | | | | 115/1/60* | 208-230/460/3/60 |
| | | | | | 0 | 1/4 | 1/2 | 3/4 | 1 | 1-1/4 | 1-1/2 | Stock No. | Stock No. |
| 8 | 1/4 | 0.13 | 1,550 | 9.0 | 833 | 714 | 560 | - | - | - | - | STXB08RHULML1S ● | STXB08RHULML3S ▲ |
| | 1/4 | 0.19 | 1,750 | 11.5 | 940 | 837 | 720 | 544 | - | - | - | STXB08RHULMM1S ● | STXB08RHULMM3S ▲ |
| | 1/4 | 0.26 | 1,950 | 13.5 | 1047 | 955 | 855 | 732 | 505 | - | - | STXB08RHULMH1S ● | STXB08RHULMH3S ▲ |
| | 1/3 | 0.33 | 2100 | 15.0 | 1128 | 1041 | 951 | 850 | 705 | - | - | STXB08RHULPH1S ● | STXB08RHULPH3S ▲ |
| 10 | 1/4 | 0.26 | 1600 | 12.9 | 1342 | 1198 | 1044 | 864 | - | - | - | STXB10RHULMH1S ● | STXB10RHULMH3S ▲ |
| | 1/3 | 0.37 | 1800 | 15.4 | 1510 | 1384 | 1252 | 1106 | 934 | 571 | - | STXB10RHULPH1S ● | STXB10RHULPH3S ● |
| 12 | 1/4 | 0.26 | 1450 | 11.8 | 1602 | 1417 | 1213 | 958 | - | - | - | STXB12RHULMH1S ● | STXB12RHULMH3S ▲ |
| | 1/3 | 0.35 | 1600 | 13.8 | 1768 | 1599 | 1431 | 1221 | 950 | - | - | STXB12RHULPH1S ● | STXB12RHULPH3S ▲ |
| | 1/2 | 0.5 | 1800 | 16.5 | 1989 | 1840 | 1698 | 1520 | 1331 | 1086 | - | STXB12RHULQH1S ● | STXB12RHULQH3S ● |
| 14 | 1/4 | 0.24 | 1050 | 9.0 | 2122 | 1847 | 1472 | - | - | - | - | STXB14RHULMH1S ● | STXB14RHULMH3S ▲ |
| | 1/3 | 0.36 | 1200 | 11.9 | 2425 | 2191 | 1895 | 1506 | - | - | - | STXB14RHULPH1S ● | STXB14RHULPH3S ▲ |
| | 1/2 | 0.52 | 1350 | 15.0 | 2728 | 2525 | 2289 | 1987 | - | - | - | STXB14RHULQH1S ● | STXB14RHULQH3S ● |
| | 3/4 | 0.78 | 1550 | 19.1 | 3132 | 2960 | 2763 | 2537 | 2269 | 1947 | - | STXB14RHULRH1S ● | STXB14RHULRH3S ● |
| | 1 | 1.03 | 1700 | 22.0 | 3435 | 3280 | 3105 | 2917 | 2688 | 2439 | 2141 | STXB14RHULSH1S ● | STXB14RHULSH3S ● |
| 15 | 1/4 | 0.26 | 1000 | 8.6 | 2302 | 1998 | 1627 | - | - | - | - | STXB15RHULMH1S ● | STXB15RHULMH3S ▲ |
| | 1/3 | 0.34 | 1100 | 10.2 | 2533 | 2260 | 1953 | 1519 | - | - | - | STXB15RHULPH1S ● | STXB15RHULPH3S ▲ |
| | 1/2 | 0.5 | 1250 | 13.3 | 2878 | 2644 | 2383 | 2079 | 1641 | - | - | STXB15RHULQH1S ● | STXB15RHULQH3S ● |
| | 3/4 | 0.78 | 1450 | 17.8 | 3338 | 3143 | 2921 | 2693 | 2423 | 2085 | - | STXB15RHULRH1S ● | STXB15RHULRH3S ● |
| | 1 | 1.05 | 1600 | 21.0 | 3684 | 3510 | 3311 | 3107 | 2895 | 2638 | 2325 | STXB15RHULSH1S ● | STXB15RHULSH3S ● |
| 16 | 1/4 | 0.26 | 900 | 9.3 | 2555 | 2201 | 1740 | - | - | - | - | STXB16RHULMH1S ● | STXB16RHULMH3S ● |
| | 1/3 | 0.35 | 1000 | 10.9 | 2839 | 2524 | 2152 | 1511 | - | - | - | STXB16RHULPH1S ● | STXB16RHULPH3S ● |
| | 1/2 | 0.55 | 1150 | 14.0 | 3265 | 2994 | 2699 | 2334 | 1687 | - | - | STXB16RHULQH1S ● | STXB16RHULQH3S ● |
| | 3/4 | 0.79 | 1300 | 17.8 | 3691 | 3453 | 3202 | 2919 | 2579 | 2051 | - | STXB16RHULRH1S ● | STXB16RHULRH3S ● |
| | 1 | 0.99 | 1400 | 21.0 | 3975 | 3755 | 3524 | 3276 | 2988 | 2645 | 1953 | STXB16RHULSH1S ● | STXB16RHULSH3S ● |

Power ratings (BHP) do not include transmission losses.

Performance certified is for installation type A-free inlet, free outlet. Performance ratings do not include the effects of birdscreen in the airstream.

The sound ratings shown are loudness values in fan sones @ 5' (1.5m) in a hemispherical free field calculated per AMCA Standard 301.

Installation Type A: free inlet hemispherical sone levels.

*Tri-voltage (115-208-230) is standard on 3/4 through 1 1/2 Hp Single phase motors. Tri-voltage is available for the 1/2 Hp motors. Inquire for price and delivery.