

MODEL STXB-UL762

UPBLAST BELT DRIVE CENTRIFUGAL ROOF/SIDEWALL EXHAUSTER FOR RESTAURANT AND GENERAL EXHAUST



APPLICATION

Isolation of motor and drive components from the air stream and the high velocity vertical air discharge make the model STXB-UL762 ideally suited for the removal of dirty, contaminated and/or high temperature air from processes and buildings. Typical applications include restaurant hoods and similar kitchen exhaust ventilation, fume and smoke removal, laboratory fume hood exhaust and chemical process exhaust.

For grease removal applications the fan must be installed per NFPA 96 and with a 40" discharge height and hinged access base.

CONSTRUCTION

Housing

- Heavy-gauge aluminum for extra strength with prepunched mounting holes.
- Neoprene isolators for reduction of vibration and sound.
- Enclosed, ventilated motor/drive compartment isolates motor and drives from exhaust air.
- Cover easily removed for quick access to motor compartment.
- Water tight conduit tube for easy electrical connection.
- External weather proof disconnect is included on standard models.
- Lifting lugs for easy and safe placement on roof.
- Stainless steel exterior fasteners.

Centrifugal Wheel

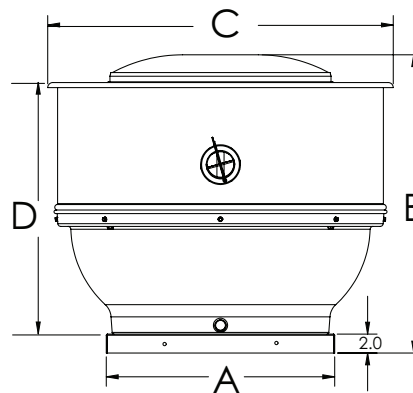
- All aluminum backward inclined wheel.
- Nonoverloading for safe operation in ducted systems.
- Dynamically balanced for smooth operation.

Drives

- Sized for minimum 150% of drive horsepower.
- Machined cast iron adjustable motor pulleys.
- Adjustable base for belt tensioning.
- Nonstatic oil resistant v-belts.

DIMENSIONAL DATA

MODEL STXB-RHUL	A	B	C	D	ROOF OPENING	Average Ship Wt. Lbs.
8	18 1/8	29 1/3	28 5/8	24 1/3	13 1/2	123
10	18 1/8	29 1/3	28 5/8	24 1/3	13 1/2	124
12	20 1/8	30 7/8	31 1/3	25 7/8	15 1/2	136
14	20 1/8	30 7/8	31 1/3	25 7/8	15 1/2	138
15	24 1/8	31 3/8	36 1/2	26 5/8	19 1/2	155
16	24 1/8	31 3/8	36 1/2	26 5/8	19 1/2	155
18	30 1/5	32 7/10	42 3/5	30 1/2	22 1/5	187
20	30 1/5	38 3/5	46 2/5	33 3/10	22 1/5	189
22	30 1/5	38 3/5	46 2/5	33 3/10	22 1/5	190



AMCA SEAL



S&P USA Ventilation Systems, LLC., Div. of Soler & Palau Ventilation Group, certifies that the Models STXB shown herein are licensed to bear the AMCA Seal. The ratings shown are based on test and procedures performed in accordance with AMCA Publication 211 and AMCA Publication 311 and comply with the requirement of the AMCA Certified Ratings Program.



LISTED POWER ROOF VENTILATOR
UL STANDARD 762

Motors

- Single speed open drip-proof are standard.
- All motors are rated for continuous duty.
- 182T and larger motors shipped unmounted for field installation.
- Disconnect switch standard with single speed drip-proof motors.

Bearings

- Heavy-duty ball bearing type.
- Prelubricated and permanently sealed.

Ship Schedules:

●	Next Day Shipment From Stock
▲	3 Day Shipment From Stock
◆	10 Day Shipment

ALL DIMENSIONS IN INCHES, WEIGHTS IN POUNDS. OD IS OUTSIDE DIMENSION OF SQUARE CURB AND DAMPER. DUE TO CONTINUING RESEARCH, S&P RESERVES THE RIGHT TO CHANGE SPECIFICATIONS WITHOUT NOTICE.

Please refer to the General Catalog or contact the Factory for our Full Line of products available on standard shipping schedules.

ACCESSORIES

MODEL STXB- RHUL	12" HIGH MOUNTING CURB (1)		18" HIGH MOUNTING CURB	DAMPER (2)		DAMPER MOTOR (LOOSE)	AUTOMATIC BELT TENSIONER (INSTALLED)	HINGED BASE KIT	METAL GREASE BOX
	OD	STOCK NO.	STOCK NO.	OD	STOCK NO.	STOCK NO.	STOCK NO.	STOCK NO.	STOCK NO.
8	16 1/2	711216 ●	721816V ●	12	411012 ●	411611 ●	100069 ●	400252 ●	90005891-A ●
10	16 1/2	711216 ●	721816V ●	12	411012 ●	411611 ●	100069 ●	400252 ●	90005891-A ●
12	18 1/2	711218 ●	721818V ●	14	411014 ●	411611 ●	100070 ●	400252 ●	90005891-A ●
14	18 1/2	711218 ●	721818V ●	14	411014 ●	411611 ●	100070 ●	400252 ●	90005891-A ●
15	22 1/2	711222 ●	721822V ●	18	411018 ●	411611 ●	100070 ●	400252 ●	90005891-A ●
16	22 1/2	711222 ●	721822V ●	18	411018 ●	411611 ●	100070 ●	400252 ●	90005891-A ●
18	28 1/2	711228 ●	721828V ●	24	411024 ●	411611 ●	100072 ●	400252 ●	90005891-B ●
20	28 1/2	711228 ●	721828V ●	24	411024 ●	411611 ●	100072 ●	400252 ●	90005891-B ●
22	28 1/2	711228 ●	721828V ●	24	411024 ●	411611 ●	100072 ●	400252 ●	90005891-B ●

1 - RESTAURANT CURBS MUST BE 18" HIGH MINIMUM PER NFPA-96.

2 - DO NOT USE DAMPER FOR FANS IN GREASE REMOVAL APPLICATIONS PER NFPA 96.

MODEL STXB	CURB CAP ADAPTOR (replace TXB with STXB using existing curb)	WALL MOUNT ADAPTOR	BIRDSCREEN (3) (Ships loose)	GREASE GRABBER	GREASE GRABBER FOR WALL
	STOCK NO.	STOCK NO.	STOCK NO.	STOCK NO.	STOCK NO.
8	CCA1816 ●	400555 ●	400248 ●	708971 ●	708971W ●
10	CCA1816 ●	400555 ●	400248 ●	708971 ●	708971W ●
12	CCA2024 ●	400557 ●	400249 ●	708971 ●	708971W ●
14	N/A	400557 ●	400249 ●	708971 ●	708971W ●
15	N/A	400559 ●	400250 ●	708971 ●	708971W ●
16	N/A	400559 ●	400250 ●	708971 ●	708971W ●
18	N/A	400561 ●	400276 ●	708971 ●	708971W ●
20	N/A	400561 ●	400277 ●	708971 ●	708971W ●
22	N/A	400561 ●	400277 ●	708971 ●	708971W ●

3 - DO NOT USE FOR UL762 APPLICATIONS

Curb Cap adaptors are available to match old style TXB and competitors curb caps. Refer to Optisizer2 for sizes available on Quickship.

MODEL STXB-UL762					Uplast Belt Drive Centrifugal Restaurant Roof Exhauster						Ventilator with Open Drip-proof Motor and Drive Assembly	
Model STXB	Motor Hp	Max. BHP	RPM	Sones @ 1/4 SP	CFM at Static Pressure						115/1/60*	208-230/460/3/60
					0	1/4	1/2	3/4	1	1-1/4	Stock No.	Stock No.
8	1/4	0.13	1,550	9.0	833	714	560	-	-	-	STXB08RHULML1S ●	STXB08RHULML3S ▲
	1/4	0.19	1,750	11.5	940	837	720	544	-	-	STXB08RHULMM1S ●	STXB08RHULMM3S ▲
	1/4	0.26	1,950	13.5	1047	955	855	732	505	-	STXB08RHULMH1S ●	STXB08RHULMH3S ▲
	1/3	0.33	2100	15.0	1128	1041	951	850	705	-	STXB08RHULPH1S ●	STXB08RHULPH3S ▲
10	1/4	0.26	1600	12.9	1342	1198	1044	864	-	-	STXB10RHULMH1S ●	STXB10RHULMH3S ▲
	1/3	0.37	1800	15.4	1510	1384	1252	1106	934	571	STXB10RHULPH1S ●	STXB10RHULPH3S ●
12	1/4	0.26	1450	11.8	1602	1417	1213	958	-	-	STXB12RHULMH1S ●	STXB12RHULMH3S ▲
	1/3	0.35	1600	13.8	1768	1599	1431	1221	950	-	STXB12RHULPH1S ●	STXB12RHULPH3S ▲
	1/2	0.5	1800	16.5	1989	1840	1698	1520	1331	1086	STXB12RHULQH1S ●	STXB12RHULQH3S ●
14	1/4	0.24	1050	9.0	2122	1847	1472	-	-	-	STXB14RHULMH1S ●	STXB14RHULMH3S ▲
	1/3	0.36	1200	11.9	2425	2191	1895	1506	-	-	STXB14RHULPH1S ●	STXB14RHULPH3S ▲
	1/2	0.52	1350	15.0	2728	2525	2289	1987	-	-	STXB14RHULQH1S ●	STXB14RHULQH3S ●
	3/4	0.78	1550	19.1	3132	2960	2763	2537	2269	1947	STXB14RHULRH1S ●	STXB14RHULRH3S ●
	1	1.03	1700	22.0	3435	3280	3105	2917	2688	2439	STXB14RHULSH1S ●	STXB14RHULSH3S ●
15	1/4	0.26	1000	8.6	2302	1998	1627	-	-	-	STXB15RHULMH1S ●	STXB15RHULMH3S ▲
	1/3	0.34	1100	10.2	2533	2260	1953	1519	-	-	STXB15RHULPH1S ●	STXB15RHULPH3S ▲
	1/2	0.5	1250	13.3	2878	2644	2383	2079	1641	-	STXB15RHULQH1S ●	STXB15RHULQH3S ●
	3/4	0.78	1450	17.8	3338	3143	2921	2693	2423	2085	STXB15RHULRH1S ●	STXB15RHULRH3S ●
	1	1.05	1600	21.0	3684	3510	3311	3107	2895	2638	STXB15RHULSH1S ●	STXB15RHULSH3S ●
16	1/4	0.26	900	9.3	2555	2201	1740	-	-	-	STXB16RHULMH1S ●	STXB16RHULMH3S ●
	1/3	0.35	1000	10.9	2839	2524	2152	1511	-	-	STXB16RHULPH1S ●	STXB16RHULPH3S ●
	1/2	0.55	1150	14.0	3265	2994	2699	2334	1687	-	STXB16RHULQH1S ●	STXB16RHULQH3S ●
	3/4	0.79	1300	17.8	3691	3453	3202	2919	2579	2051	STXB16RHULRH1S ●	STXB16RHULRH3S ●
	1	0.99	1400	21.0	3975	3755	3524	3276	2988	2645	STXB16RHULSH1S ●	STXB16RHULSH3S ●
18	1/3	0.37	800	9.9	3194	2770	2271	-	-	-	STXB18RHULPH1S ●	STXB18RHULPH3S ●
	1/2	0.52	900	12.4	3593	3213	2816	2203	-	-	STXB18RHULQH1S ●	STXB18RHULQH3S ●
	3/4	0.83	1,050	16.2	4191	3865	3546	3179	2626	-	STXB18RHULRH1S ●	STXB18RHULRH3S ●
	1	1.09	1,150	18.5	4591	4292	4001	3690	3325	2751	STXB18RHULSH1S ●	STXB18RHULSH3S ●
	1-1/2	1.57	1,300	22.2	5189	4925	4664	4407	4121	3800	STXB18RHULTH1S ●	STXB18RHULTH3S ●
	2	2.12	1,450	26.7	5788	5551	5316	5085	4852	4590	STXB18RHULVH1S ●	STXB18RHULVH3S ●
20	1/3	0.29	650	7.3	3276	2698	1804	-	-	-	STXB20RHULPH1S ▲	STXB20RHULPH3S ▲
	1/2	0.54	800	11.5	4032	3578	3063	2291	-	-	STXB20RHULQH1S ▲	STXB20RHULQH3S ▲
	3/4	0.77	900	14.1	4536	4133	3700	3173	-	-	STXB20RHULRH1S ▲	STXB20RHULRH3S ▲
	1	1.05	1,000	16.4	5040	4675	4296	3889	3367	-	STXB20RHULSH1S ▲	STXB20RHULSH3S ▲
	1-1/2	1.59	1,150	20.1	5796	5474	5165	4817	4459	4010	STXB20RHULTH1S ▲	STXB20RHULTH3S ▲
	2	2.2	1,300	24.7	6552	6265	5994	5704	5396	5081	STXB20RHULVH1S ▲	STXB20RHULVH3S ▲
22	1/3	0.32	550	7.6	4517	3408	-	-	-	-	STXB22RHULPH1S ▲	STXB22RHULPH3S ▲
	1/2	0.54	650	10.3	5338	4434	3355	-	-	-	STXB22RHULQH1S ▲	STXB22RHULQH3S ▲
	3/4	0.83	750	13.5	6160	5400	4503	-	-	-	STXB22RHULRH1S ▲	STXB22RHULRH3S ▲
	1	1.01	800	15.3	6570	5868	5063	4198	-	-	STXB22RHULSH1S ▲	STXB22RHULSH3S ▲
	1-1/2	1.68	950	20.9	7802	7216	6571	5874	4950	-	STXB22RHULTH1S ▲	STXB22RHULTH3S ▲
	2	2.28	1,050	24.8	8624	8092	7536	6929	6242	5569	STXB22RHULVH1S ▲	STXB22RHULVH3S ▲

Power ratings (BHP) do not include transmission losses.

Performance certified is for installation type A-free inlet, free outlet. Performance ratings do not include the effects of birdscreen in the airstream.

The sound ratings shown are loudness values in fan sones @ 5' (1.5m) in a hemispherical free field calculated per AMCA Standard 301.

Installation Type A: free inlet hemispherical sone levels.

*Tri-voltage (115-208-230) is standard on 3/4 through 1 1/2 Hp Single phase motors. Tri-voltage is available for the 1/2 Hp motors. Inquire for price and delivery.