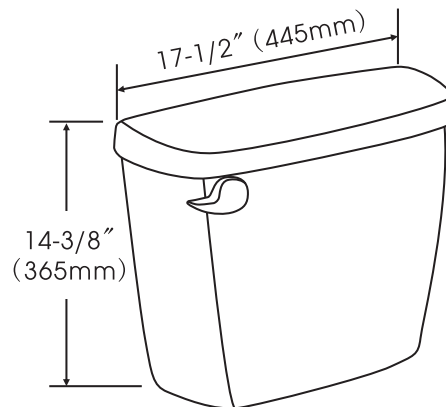




Toilet Series



### Toilet Tank



Fixture dimensions and hydraulic performance meet or exceed ANSI/ASME standard A112.19.2M and CAN/CSA B-45 requirements.



Model	Color
572-6794	Biscuit

## Luxury Line HET 1.28GPF 3" Flush 14" Rough-In Toilet Tank

### DESCRIPTION

- \* Water Saving Unit -- 1.28GPF –
- \* Upgrade Fill And Flush Valve System
- \* High Performance Flushing System
- \* Color Matched Tank Handle
- \* Works With Delano Toilet Bowl, 572-6192, 572-6193 & 572-6194
- \* ADA Compliant When Paired With 572-6194



Project / Job Name			
Architect / Engineer			
Contractor			
Model		Quantity	
Notes :			

Locke Supply Company

www.LockeSupply.com

1300 SE 82nd Street, Oklahoma City, OK 73149

Phone: 405-631-9701