
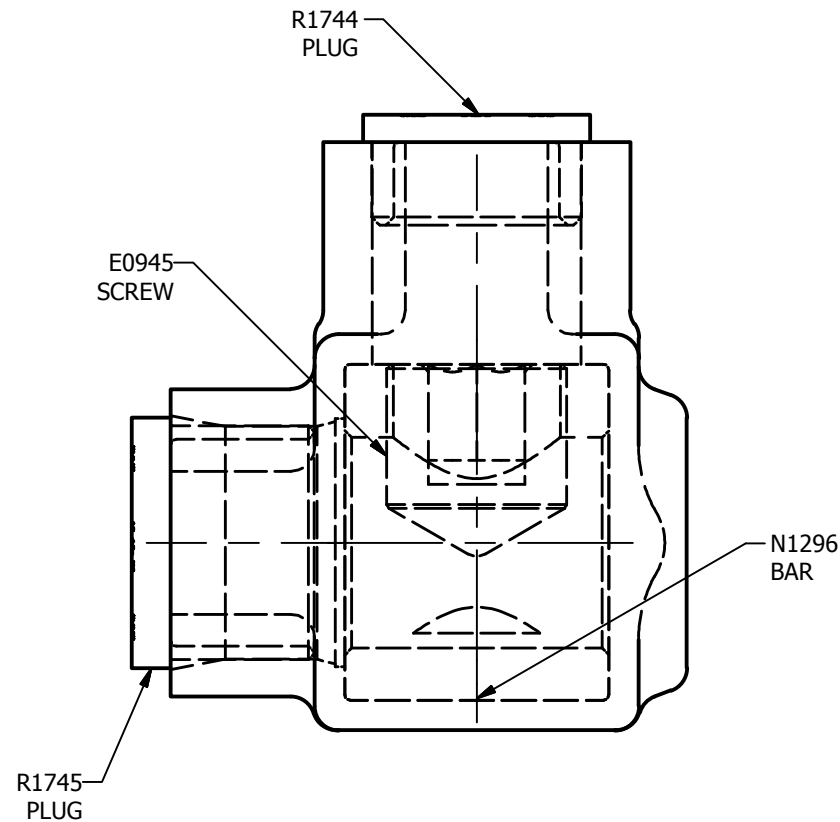
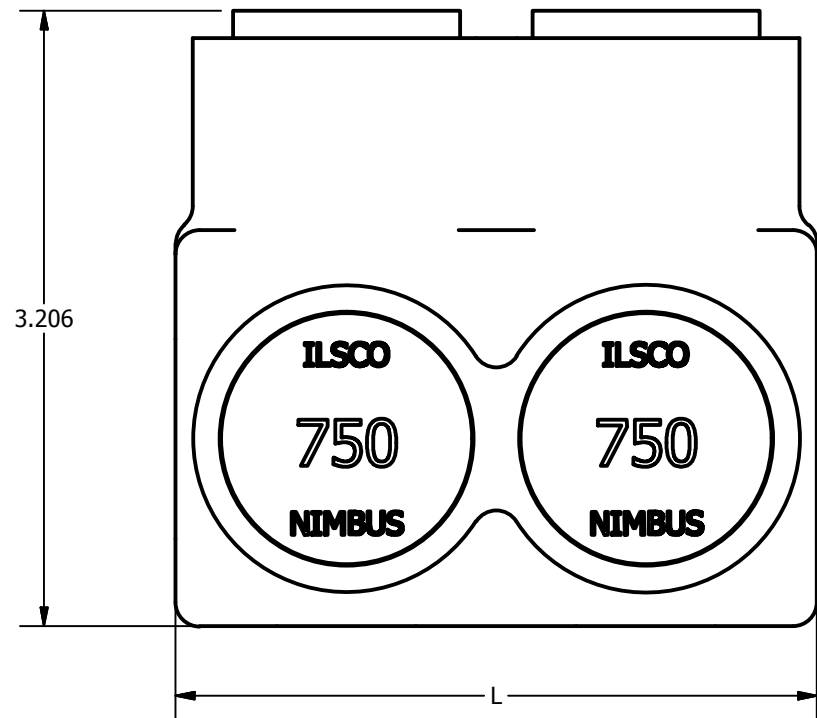
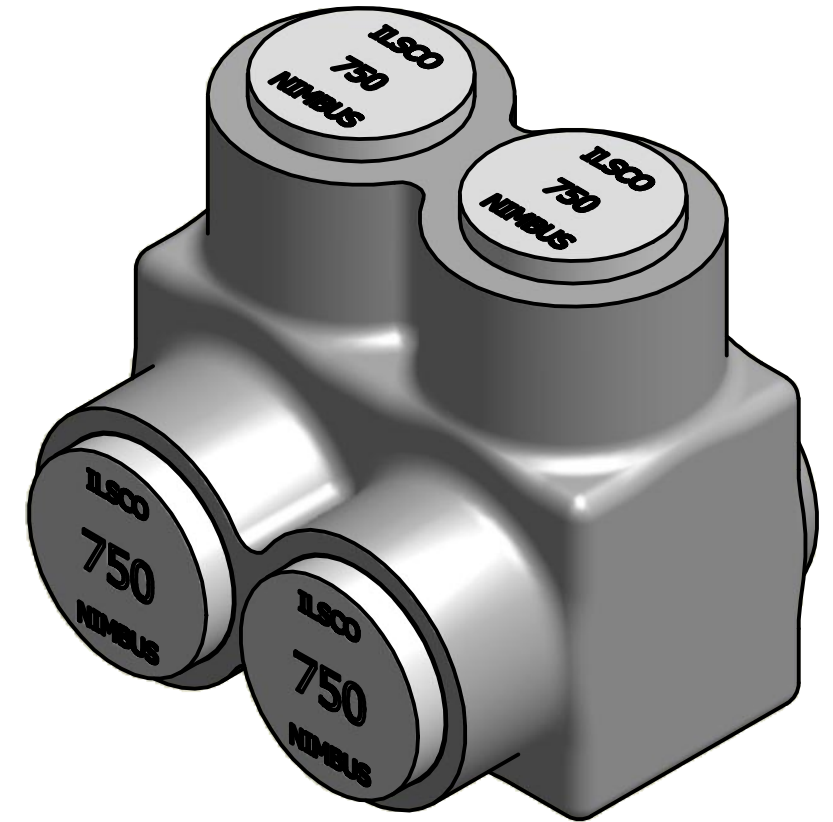
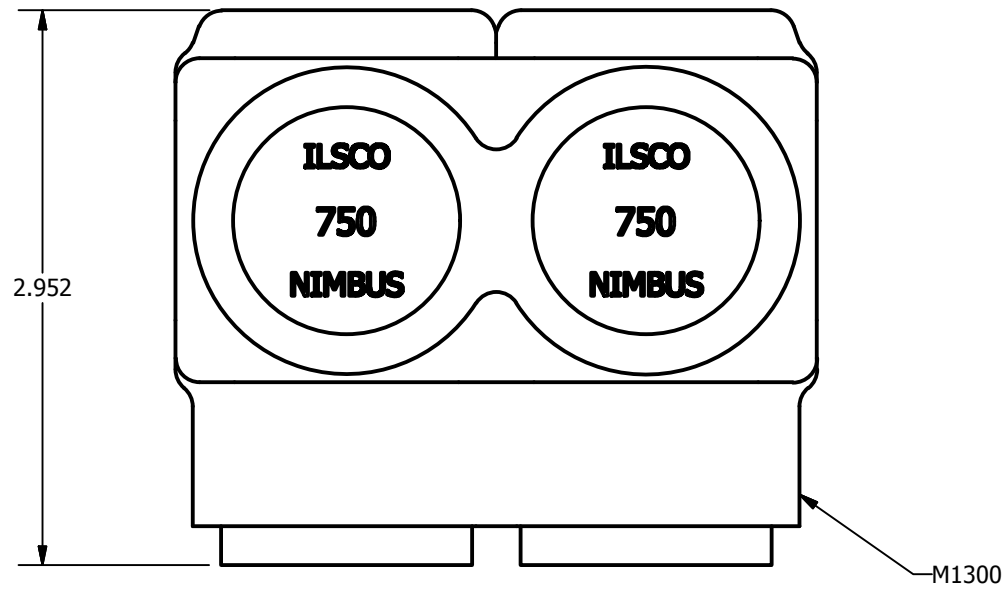


SCREW: E0945	MATERIAL: NONE	REV: M	 800-776-9775 www.ilSCO.com
CAT. NO.: SEE CHART	PLATING: NONE	DRAWN BY: CLH SCALE:	
INFORMATION SHEET: FORM 1	MARKING: NONE	DATE: 1/25/2008 SIZE: B	
			DWG NO: M1300
			SHEET: 1 OF 1



CATALOG #	"L"	# OF SCREW PORTS
PBTS-2-750	3.340	2
PBTS-3-750	4.900	3
PBTS-4-750	6.460	4
PBTS-5-750	8.020	5
PBTS-6-750	9.580	6
PBTS-7-750	11.140	7
PBTS-8-750	13.700	8
PBTS-9-750	14.260	9
PBTS-10-750	15.820	10
PBTS-11-750	17.380	11
PBTS-12-750	18.940	12
PBTS-13-750	20.500	13
PBTS-14-750	22.060	14