

MAAX SUBMITTAL SPECIFICATIONS

Brioso 6636

MODEL NUMBER 103903

DIMENSIONS: 66" x 36" x 23" Fiberglass



Vivez l'expérience
MAAX[®]
Enjoy the experience

STANDARD FEATURES

- 2-piece bathtub with transitional look and concealed seam
- Ample deck space for faucet installation
- Maximized bathing well with center drain
- Above-the-Floor Rough (AFR)
- F² Drain compatible for fast & easy installation
- Apron available in white and 3 designer colors
- No systems available

OPTIONS

- Cable-operated waste and overflow
- Waste and overflow
- Brass waste and overflow for high-rise construction
- Linear waste and overflow
- Apron only as a replacement part for your Brioso 6636 bathtub
- Foam pillow with 2 suction pads

UNIQUE FEATURES

- Above-the-Floor Rough (AFR)
- 1 Tub - 2 Pieces
- Compatible with F2 Drain

SYSTEMS

- None

CERTIFICATIONS

Maax products adhere to one or more of the following certifications:



Project :

Contractor :

MAAX Representative : Tel :

Date :

www.maax.com

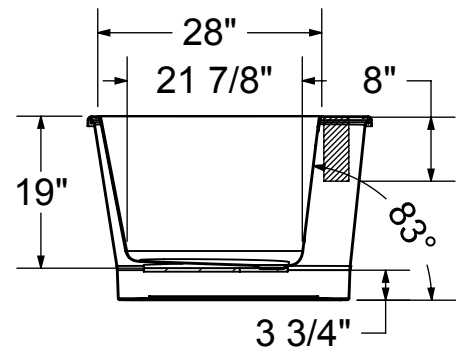
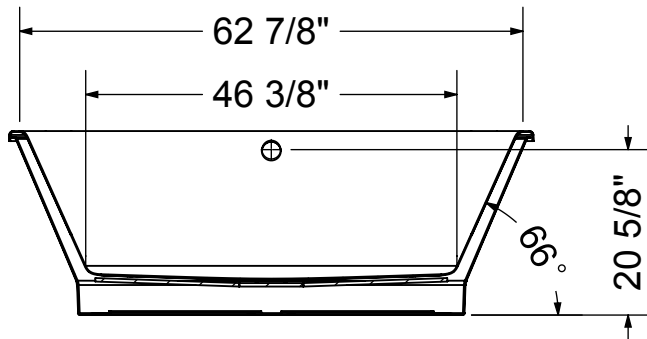
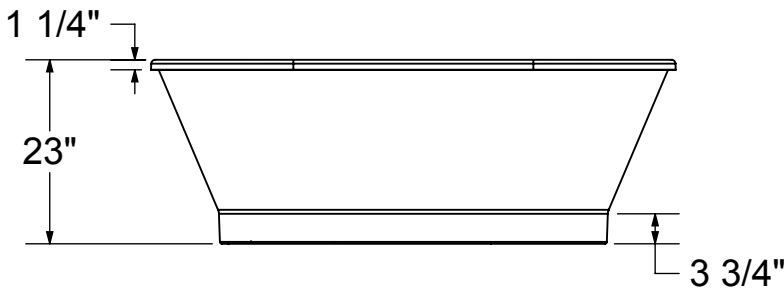
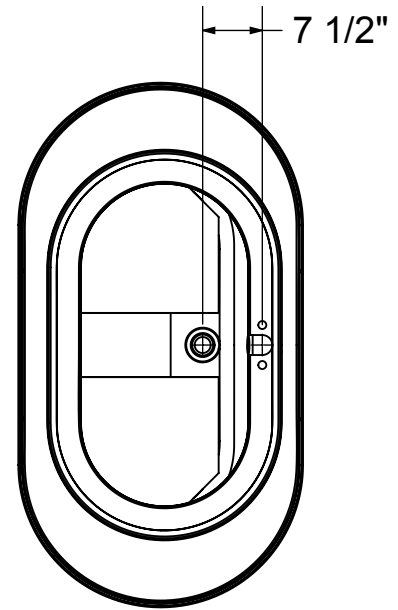
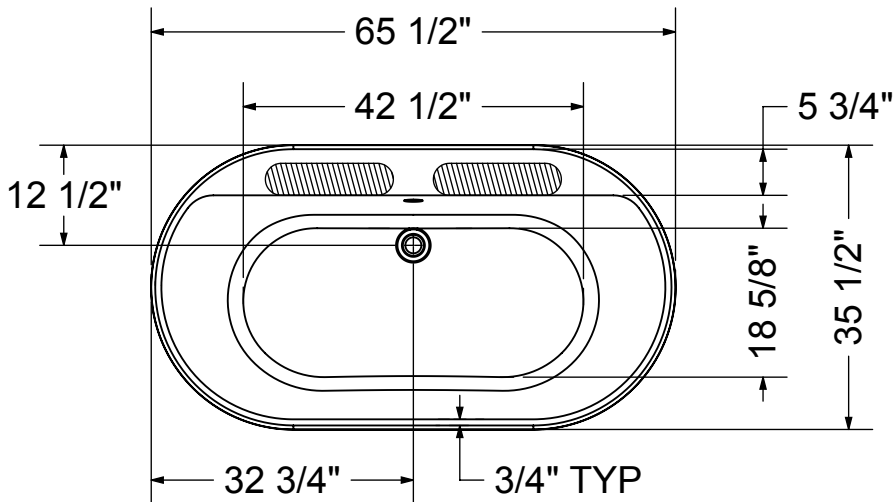
2017-11-09


MAAX SUBMITTAL SPECIFICATIONS

Brioso 6636

MODEL NUMBER 103903

TECHNICAL DRAWINGS



() :Recommended faucet area 2 sections of 16" (L) x 4" (W).
 Depth recommended for straight pipes 8".

All dimensions are approximate. Structure measurements must be verified against the unit to ensure proper fit.