

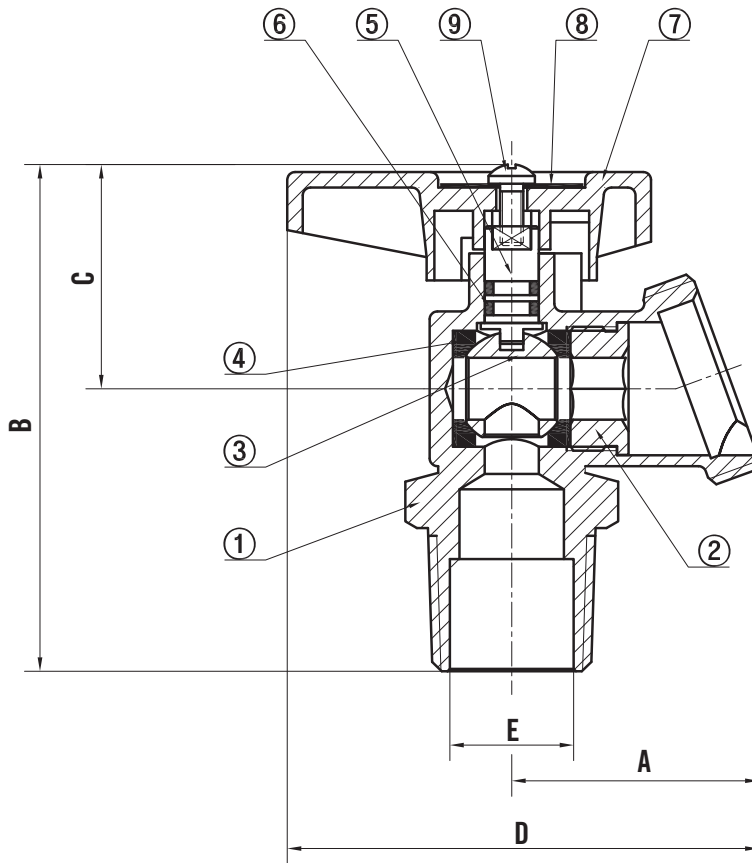
SUBMITTAL DATA SHEET

No-Lead Boiler Drain Quarter Turn Ball Valve - 72008QT

MNPT x G.H.T.



A.Y. McDonald Mfg. Co. No-Lead Low Pressure Valves are constructed from heavy duty no-lead brass and are recommended for residential and commercial applications and positive shut-off with various inlet configurations.



Dimensions

Size	A	B	C	D	E
1/2"	1.26"	2.58"	1.14"	2.40"	0.63"
3/4"	1.26"	2.62"	1.14"	2.40"	

Materials

No.	Part	Material
1	Body	No-Lead
2	Bonnet	No-Lead
3	Ball	No-Lead
4	Seat	PTFE
5	Stem	Brass
6	O-Ring	NBR
7	Handle	Aluminum
8	Name Plate	Aluminum
9	Screw	Steel

SUBMITTAL INFORMATION

- 125 WOG
- Sizes: 1/2", 3/4"
- Complies with NSF/ANSI 372
- NSF / ANSI 61

NO-LEAD: The weighted average of the wetted surface of this no-lead product contacted by consumable water contains less than one quarter of one percent (0.25%) lead.



A.Y. McDonald Mfg. Co.
P.O. Box 508
Dubuque, IA 52004-0508

Toll Free: 1-800-292-2737
Fax: 1-800-832-9296
Hours: 7:00 a.m. - 5:00 p.m., CST

sales@aymcdonald.com
www.aymcdonald.com

A.Y. McDonald considers the information on this assembly drawing correct when published. Item and option availability, including specifications, are subject to change without notice.

Submitted by: