

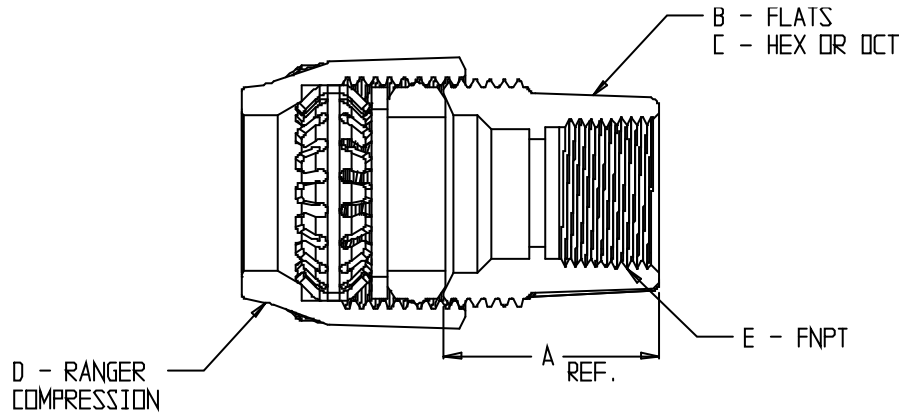
SUBMITTAL DATA SHEET

NL Service Fitting – 74754-11

-11 Ranger Compression x FNPT



PATENT PENDING



MODEL	SIZE	PIPE /TUBE SIZE RANGE (in)	A	B	C	D	E
74754-11	3/4	.871-1.089	1.51	1.36	OCT	3/4	3/4
74754-11	1	1.120-1.399	1.48	1.58	OCT	1	1

NOTE: McDONALD RANGER NUTS ARE NOT
COMPATIBLE WITH OTHER MANUFACTURERS
COMPRESSION NUT SYSTEMS
McDONALD RANGER NUTS ARE NOT
COMPATIBLE WITH OTHER McDONALD
COMPRESSION NUT SYSTEMS

SUBMITTAL INFORMATION

- Manufactured in compliance with ANSI/AWWA C800 (latest revision)
- Brass components in contact with potable water conform to ASTM B584, UNS C89833 (latest revision) and identified with “NL”
- Certified to NSF/ANSI 61 and NSF/ANSI 372
- Brass components not in contact with potable water conform to ASTM B62 and ASTM B584, UNS C83600 -85-5-5-5 (latest revision)
- Large wrench flats provided for proper installation
- Insert stiffeners required on all flexible plastic connections



A.Y. McDonald Mfg. Co.
P.O. Box 508
Dubuque, IA 52004-508

Toll Free: 1-800-292-2737

Fax: 1-800-832-9296

Hours: 7:00 a.m. – 5:00 p.m., CST

sales@aymcdonald.com

www.aymcdonald.com

A.Y. McDonald considers the information on this assembly drawing correct when published. Item and option availability, including specifications, are subject to change without notice.

Submitted by: