

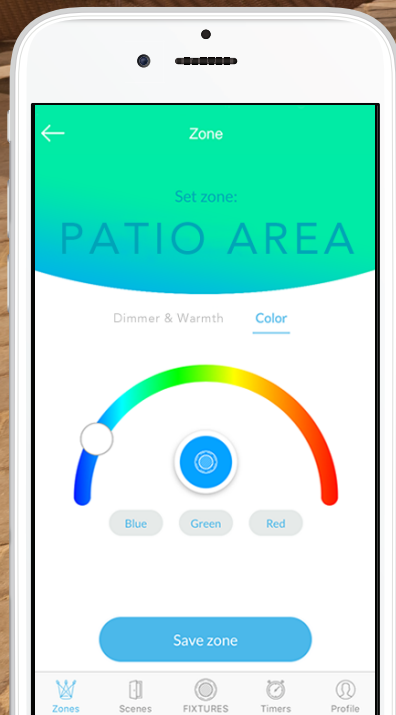
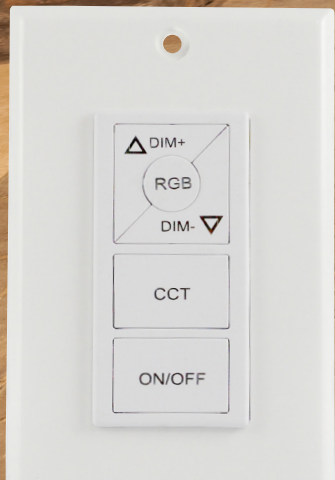
PRISM

Smart LED RGBW Retrofit Downlight

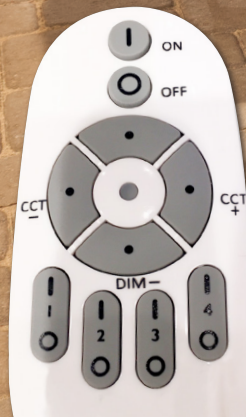


NORA | *NSPEC*
LIGHTING®

Neutral Light



Control with a smart phone, remote or wall switch!



Warm



Cool



Red



Blue



Purple



PRISM Series

SMART LED RGBW RETROFIT DOWNLIGHT

Nora's PRISM smart LED downlights change the color of light and color temperature to meet any designer's or end user's needs as they change.

Available in 4" or 5"/6" apertures in baffle or reflector styles with a deep cut-off providing visual comfort, the PRISM produces 750 to 800 lumens of 90+ CRI light and is programmable from 2700K to 4000K when on the white color setting and offers thousands of RGBW color possibilities.

Factory set at 2700K, installed units can be adjusted to your preferred kelvin temperature or color individually or by group of fixtures. PRISM fixtures can be controlled via smartphone through the ControlLIT app or via handheld remote. PRISM utilizes a Bluetooth® mesh network, the ideal solution for "smart" lighting. A standard on/off wall switch can be used for on/off functionality. Control the lights all as one, by zone, scene, or one by one, PRISM is the new age in simple, affordable lighting control.

The PRISM can be easily retrofitted into existing 4" , 5" or 6" housings or installed in remodel or new construction applications.



ControlLIT™ App:

- Compatible with iOS or Android systems
- Download the latest version of the ControlLIT™ app from the Google Play store or the App Store



For inquiries email ControlLIT@norlighting.com

3 WAYS TO CONTROL PRISM DOWNLIGHTS



Control your PRISM downlights via Bluetooth® mesh from any smart device.

Lights can be programmed and managed through our ControlLIT™ app for both iOS and Android. Just imagine, a few minutes of programming the user-friendly app and you can...

- Select from a warm 2700K to a brighter, cooler 4000K.
- Select red, green, blue or hundreds of other colors.
- Control groups of lights by zone or room.
- Create up to 8 zones and 20 scenes which can be assigned to individual or multiple zones.
- Set a timer to have your lights come on or off automatically.
- Have your lights change colors to the beat of the music from your smart device.
- User log-in allows security and user privacy.

No Phone? No Problem!

The optional RGBW Master and Zone Control hand-held remotes allow you to control PRISM with the push of a button.

Master Control Remote (NLPR-RGBWCONT) or Decora Wall Switch (NLPR-DWC-RGBWCONT)

- Master control remotes allows for on/off, dimming, CCT (2700K to 4000K) and RGB changing
- Can be used right out of the box without any need for smart devices.

Zone Remote Control (NLPR-ZONECONT)

- After syncing with your smart device, each zone control remote can be programmed to control up to four zones.
- Multiple zone control remotes can be used in a single environment.
- Zone control remotes allow for quick and easy on/off, dimming, and CCT changing with the touch of a button.
- Recommended for use in individual rooms or for guests who want to use their lights without using the ControlLIT™ app.



Need a quick ON/OFF solution?
Use a switch!

The Nora PRISM works with a standard wall switch* for on/off functionality. If you cannot find the remote or smart device, your lights will still operate with the existing toggle switch.

- "On" position: the ControlLIT™ app and remote can communicate with the fixtures to control dimming and color.
- On/off memory: When the wall switch* is used to turn off your PRISM lights, memory settings restore lights to their previous setting when the toggle is switched back to on.
- "Off" position: ControlLIT™ app and remote will not be able to communicate with the fixtures. PRISM will restore lights to their previous setting when switched back on.

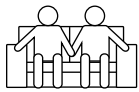
* If your wall switch is a dimmer, please leave dimmer in full brightness mode when using on/off function. PRISM cannot be dimmed from a wall dimmer, and it is recommended to change the dimmer to a standard switch.



Simple Installation:

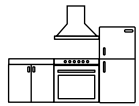
- 1) Shut off power.
- 2) If retrofitting, remove existing light bulb and trim.
- 3) Screw medium base socket into existing socket and connect orange connectors.
- 4) Use torsion springs (5"6") or blades (4") and install trim into housing, pushing firmly against ceiling.
- 5) Restore power and check lights with wall switch or optional RGBW hand-held remote.
- 6) Initiate the ControlLIT™ app and begin the programming sequence.

Hint: Program lights at night to get the full effect of kelvin, dimming and color levels.



Family Room

Set up family room as a zone and then set scenes. Scenes can be set for different uses: reading, watching TV, or entertaining. Prism allows the flexibility of controlling the light similar to lighting systems costing ten times as much and require expensive installation. The PRISM installs just like a regular retrofit, remodel or new construction downlight. No need to run special wires.



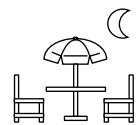
Kitchen

Set up kitchen lights as a zone and then set scenes. Cooking: all lights at 80% and 3500K. Cleaning: all lights at 100% and 4000K. Night time: light over sink on and a couple more at 20% and 2700K.



Path of Lights

A path of light is commonly the light you use as you walk in your home. For example, an entry light, some hall lights, a few lights in the master bedroom and a few in the kitchen and set as a zone. You could set this zone to come on automatically before you get home every weekday night. This same zone could be set as a night light path at 10% and 2700K.



Outdoor

The PRISM is wet listed so it can be used outdoors. Set up your outdoor living area as a zone and maybe the front and eave lights as another zone on a timer. With the touch of a button or a tap on your phone, you can show off your beautiful outdoor area with a warm blue or other color of your choice. Change the colors of the lights under the eaves to go along with a season or theme.



Restaurant

Set up lights by zone, such as booths, east tables, west tables, party room and counter/bar. Each zone can be operated and set up instantly with the app or the remote to handle different light levels and customer load.



Multipurpose / Ballroom

Probably best for ceilings 12' and under. If the room has partitions, you set up each partition as a zone. Whether the entire room is all rented or just a section, you can instantly react to the situation. Classroom, set to 4000K, intimate wedding, set to 2700K, reception, change to a theme color.



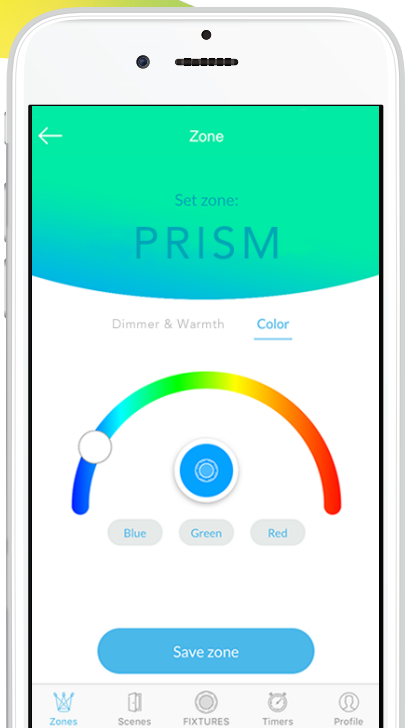
Bar

Set up like a restaurant with different zones for different areas. Bar top lights can change color as night progresses. Zones can be on or off at different levels. A path of colored lights can lead to the restrooms. Set lights at 3500K for lunch and down to 2700K for dining. Billiards areas can be brightened at the touch of a button or a screen. Set the timer to raise the lights at "last call," then raise again at closing.



Retail

PRISM is great for dressing rooms or display areas to change the kelvin temperature based on the occasion for the garment. Office, set to 4000K, leisure, set at 3500K and candle light, set at 2700K and dim.



PRISM RGBW SERIES LED RETROFIT

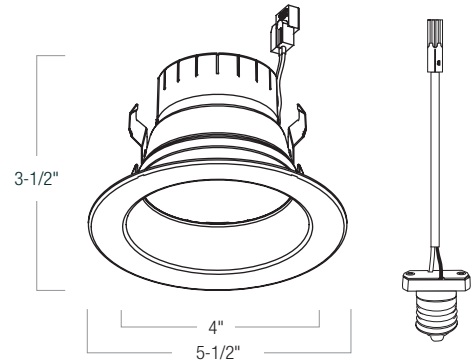
4" RETROFIT 750 LUMEN LED



NLPR-441
4" Reflector
/WW, /BZBZ



NLPR-442
4" Baffle
/WW, /BZBZ



PRISM RGBW LED SERIES 4" RETROFIT & DEDICATED UNIT

SERIES	APERTURE	TRIM TYPE	SOURCE	FINISH
NLPR-	4 4-inch	41 Reflector 42 Baffle	RGBW	/WW White /BZBZ Bronze

Example: **NLPR-441RGBW/WW**- 4" PRISM Smart RGBW LED Retrofit Downlight Reflector, White finish

Nora Lighting's 4" Prism Smart RGBW LED Retrofit downlights are cULus listed for use in existing 4" IC housings manufactured by Nora and others. The units provide 750 Lumen output, drawing 11.5W and rendering 90+ CRI.

A cutting edge Smart downlight, Prism produces selectable light output from warm to cool white, red, green, blue or a mixture of colored light. Prism can be programmed by scene or up to eight zones, has auto on and auto off features and may be synced to music. Prism is controlled by hand-held remote or through Nora's blue-tooth proprietary app.

ELECTRICAL:

Voltage: 120VAC
Current: 110mA
Lumens: 750lm

Power Consumption: 11.5 Watts

Color Rendering Index: 90+ CRI

LED Driver: Built-in driver

Operating Temperature: 0°C~45°C (32°F~113°F)

Life Expectancy: 50,000 Hours

SOCKET:

Includes Medium Based socket set with quick connect. GU24 Socket accessory available.

INSTALLATION:

Torsion blades

CONSTRUCTION:

Spun Aluminum

LENS: Shatter-proof, diffused poly carbonate lens, deep-set to reduce aperture glare.

DIMMING: Dimming is accomplished through the hand-held remote or Nora app. The Prism is not dimmable by a wall mounted dimmer. Nora recommends removing existing dimmers that control a circuit in which Prism is to be installed in a retrofit application.

LISTING:

cULus Listed for Wet Location
ENERGY STAR® Rated
Can be used to comply with 2016 Title 24 - part 6 High Efficacy LED light source requirements

WARRANTY:

5-Year Limited Warranty

COMPATIBLE HOUSINGS:

NFBIC-4LMRAT 4" ICAT Dedicated LED 2-Hour Fire Rated Housing

NHIC-4G24AT 4" ICAT GU24

NHIC-4LMRAT 4" ICAT Dedicated LED

NHIC-4LMRAT/277 4" ICAT Dedicated LED, 277V

NS-401QAT 4" AT Line Voltage

NSIC-401QAT 4" ICAT Line Voltage

NHRIC-4G24AT 4" Remodel ICAT GU24

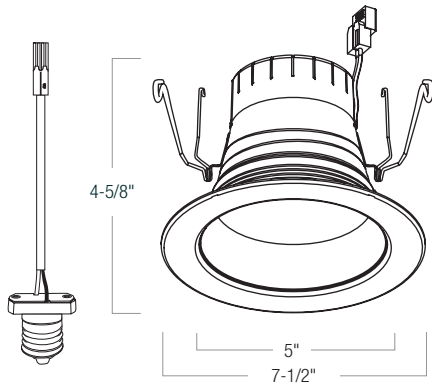
NHRIC-4LMRAT 4" Remodel ICAT Dedicated LED

NSR-401QAT 4" Remodel AT Line Voltage



LED RETROFIT PRISM RGBW SERIES

800 LUMEN LED 5"/6" RETROFIT



NLPR-5641
5/6" Reflector
WW, BZBZ



NLPR-5642
5/6" Baffle
WW, BZBZ

PRISM RGBW LED SERIES 5"/6" RETROFIT & DEDICATED UNIT

SERIES	APERTURE	TRIM TYPE	SOURCE	FINISH
NLPR-	56 5"/6"	41 Reflector 42 Baffle	RGBW	/WW White /BZBZ Bronze

Example: **NLPR-5642RGBW/BZBZ** - 5"/6" PRISM Smart RGBW LED Retrofit Downlight Baffle, Bronze finish

Nora Lighting's 5"/6" Prism Smart RGBW LED Retrofit downlights are cULus listed for use in existing 5/6" IC housings manufactured by Nora and others. The units provide 800 Lumen output, drawing 13W and rendering 90+ CRI.

A cutting edge Smart downlight, Prism produces selectable light output from warm to cool white, red, green, blue or a mixture of colored light. Prism can be programmed by scene or up to eight zones, has auto on and auto off features and may be synced to music. Prism is controlled by hand-held remote or through Nora's blue-tooth proprietary app.

ELECTRICAL:

Voltage: 120VAC
Current: 130mA
Lumens: 800lm
Power Consumption: 13 Watts
Color Rendering Index: 90+ CRI
LED Driver: Built-in driver
Operating Temperature: 0°C~45°C (32°F~113°F)
Life Expectancy: 50,000 Hours

SOCKET:

Includes Medium Based socket set with quick connect. GU24 Socket accessory available.

INSTALLATION: Torsion springs

CONSTRUCTION: Spun Aluminum

LENS: Shatter-proof, diffused poly carbonate lens, deep-set to reduce aperture glare.

DIMMING: Dimming is accomplished through the hand-held remote or Nora app. The Prism is not dimmable by a wall mounted dimmer. Nora recommends removing existing dimmers that control a circuit in which Prism is to be installed in a retrofit application.

LISTING:

cULus Listed for Wet Location
ENERGY STAR® Rated
Can be used to comply with 2016 Title 24 - part 6 High Efficacy LED light source requirements

WARRANTY:

5-Year Limited Warranty

COMPATIBLE HOUSINGS:

NFBIC-5LMRAT 5" ICAT Dedicated LED 2-Hour Fire Rated Housing

NH-501QAT 5" Line Voltage
NHIC-501QAT 5" ICAT Line Voltage
NHIC-5G24ATFL 5" ICAT GU24
NHIC-5LMRAT 5" ICAT Dedicated LED
NHIC-5LMRAT/277 5" ICAT Dedicated LED, 277V
NHIC-527LMRAT 5" ICAT Shallow Dedicated LED

NHR-504Q 5" Remodel Line Voltage
NHRIC-504QAT 5" Remodel ICAT Line Voltage
NHRIC-5G24AT 5" Remodel ICAT GU24
NHRIC-5LMRAT 5" Remodel ICAT Dedicated LED
NHRIC-527LMRAT 5" Remodel ICAT Shallow Ded. LED

NFBIC-6LMRAT 6" ICAT Dedicated LED 2-Hour Fire Rated Housing

NFBIC-6INCAT 6" ICAT Medium Based 2-Hour Fire Rated Housing

NH-26Q 6" Line Voltage
NHIC-17QAT 6" ICAT Line Voltage
NHIC-6G24ATFL 6" ICAT GU24
NHIC-6LMRAT 6" ICAT Dedicated LED
NHIC-6LMRAT/277 6" ICAT Dedicated LED, 277V
NHIC-27LMRAT 6" ICAT Shallow Dedicated LED

NHR-26Q 6" Remodel Line Voltage
NHRIC-17QAT 6" Remodel AT Line Voltage
NHRIC-17QNBAT 6" Remodel AT Line Voltage (no bracket)

NHRIC-6G24AT 6" Remodel ICAT GU24
NHRIC-6LMRAT 6" Remodel ICAT Dedicated LED
NHRIC-27LMRAT 6" Remodel ICAT Shallow Ded. LED





Control the Color of Light

PRISM Smart LED RGBW Retrofit Downlight by Nora Lighting

Nora Lighting makes it easy to adjust the color of light and color temperature to meet changing needs with the Bluetooth® mesh enabled PRISM Smart LED RGBW Retrofit Downlight. Available in **4" or 5/6" apertures** in baffle or reflector styles with a deep cut-off providing visual comfort, the PRISM produces **750 to 800 lumens of 90+ CRI** light. PRISM is programmable from **2700K to 4000K** on the white color setting and offers thousands of RGBW color possibilities. Programed with a smartphone, then controlled by your smartphone or a handheld remote, the lights can be controlled all as one, by zone, by scene or one by one. PRISM can be easily retrofitted into existing 4" , 5" or 6" housings or installed in new construction or remodel applications. PRISM is the new age in simple, affordable light control.



ControlLIT™ App:

- Compatible with iOS or Android systems
- Download the latest version of the ControlLIT™ app from the Google Play store or the App Store



For inquiries email ControlLIT@norlighting.com



3M ML-PRISMB0318



6505 Gayhart St., Commerce, CA 90040
Tel: (800) 686-6672 | Fax: (800) 500-9955
www.norlighting.com

The products shown in this catalog are covered by USA and International patents. Specifications subject to change without notice.
© Copyright 2018 Nora Lighting, Inc. All rights reserved.