

ALOHA PORCELAIN ENAMEL
60" X 30" X 14 1/4" BATHTUB
40 DEGREE LUMBAR SUPPORT



011-3364 RH DRAIN, SLIP RESISTANT
011-3365 LH DRAIN, SLIP RESISTANT

DESCRIPTION:

The Aloha is a 60" x 30" x 14 1/4" bathtub - the industries #1 selling porcelain enamel bathtub is full length bath offering exceptional performance and roominess for a recess application. The Aloha has a 40 degree lumbar support for a comfortable bathing experience. Construction is a one piece heavy gauge seamless steel with an acid resistant porcelain enamel finish. The Aloha weighs 67 lbs., easy to install into a bathtub alcove - "just set it and level it". Free standing on a full length support pad that offers added strength and sound deadening. This product is compatible or complies with ASME A112.19.1/CSA B45.2 (Standard for Enameled Steel Plumbing Fixtures), ADA (American Disabilities Act), ASTM F 462 (Safety Specification for Slip Resistant Bathing Facilities), WW-P 541 (U.S. Military Federal Specification), HUD-FHA-VA, LEED, and the Buy American Act, as applicable when installed accordingly. Available in white, bone and biscuit colors with a right and left drain. Made in the USA.

Weight: 67 lbs



ALOHA PORCELAIN ENAMEL 60" X 30" X 14 1/4" BATH TUB 40 DEGREE LUMBAR SUPPORT

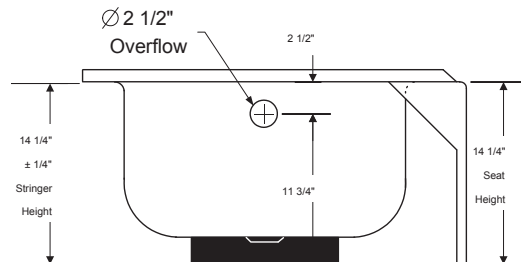
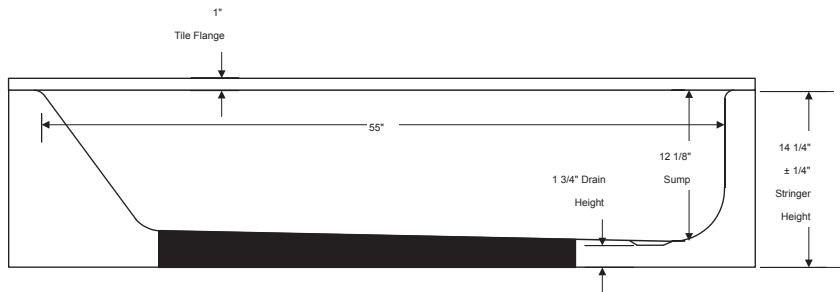
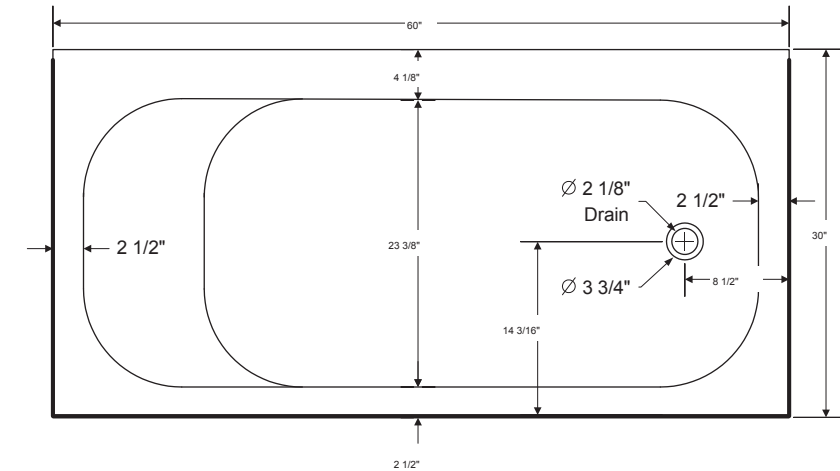
ALOHA 5' Bathtub

60" x 30" x 14 1/4"

Standard Outlet

011-3364 RH Drain, slip resistant

011-3365 LH Drain, slip resistant



Complies with:

All fixtures are compatible or comply with ANSI, ASME, CSA, WW-P 541, HUD-FHA-VA, LEED and the "Buy America Act" where applicable when installed accordingly.

Standard Features:

"The affordable alternative to cast iron"
Full length sound deadening pad
Slip resistant bottom
Set it and level it

Made in the USA

All Dimensions +/- 1/8" unless otherwise noted.

Dimensions shown are for reference.

Actual dimensions may vary slightly and should be checked prior to installation

SS 5/14

