

# PRODUCT INFORMATION PACKET

**FASCO**<sup>®</sup>

Model No:  
Catalog No: A162  
702110892.BLOWER...1 SPD.  
Draft Inducer



Regal and Fasco are trademarks of Regal Beloit Corporation or one of its affiliated companies.  
©2019 Regal Beloit Corporation, All Rights Reserved. MC017097E

**REGAL**<sup>®</sup>



### Nameplate Specifications

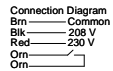
Voltage	<b>208/230 V</b>	Motor Type	<b>Shaded Pole</b>
Overload Protector	<b>Thermally</b>	Speed	<b>3000 RPM</b>
Current	<b>0.5 A</b>	Number of Speeds	<b>1</b>
Frequency	<b>60 Hz</b>	Phase	<b>1</b>
Ambient Temperature	<b>40 °C</b>	UL	<b>Yes</b>
Insulation Class	<b>B</b>	CSA	<b>Yes</b>

### Technical Specifications

Blower Outlet Shape	<b>Rectangle</b>	Motor Enclosure	<b>Open</b>
Blower Outlet Flange	<b>No</b>	Bearing Type	<b>Sleeve</b>
Outline Drawing	<b>OUTLINE</b>	Connection Diagram	<b>CONNECTION</b>

This is an uncontrolled document once printed or downloaded and is subject to change without notice. Date Created: 09/25/2019

- NOTES:  
 1. DIMENSION WITH ENDPLAY PUSHED TOWARD MOTOR.  
 2. INSPECTION TEST FIXTURING REQUIRED.  
 3. SWITCH MUST MAKE CONTACT BETWEEN 1800-2500 RPM AND BREAK 50-500 RPM BELOW ACTUAL MAKE.  
 4. SWITCH MECHANISM TO GIVE QUIET OPERATION ABOVE 2500 RPM.  
 5. PACK 1 PER CONTAINER, 36 MAX. PER PALLET, PACKING ASSY: 87854851, 9 CONTAINERS PER LAYER, 4 LAYERS PER PALLET, PER 68834200 AND 88834408.  
 6. CARTON LABELS MUST ALL FACE ONE DIRECTION TOWARD THE OPEN END OF THE PALLET. SEE 88834408.  
 7. NO PACKAGING TAPE OVER CARTON LABEL.  
 8. BLOWER - NATURAL, MOTOR - FLAT BLACK.

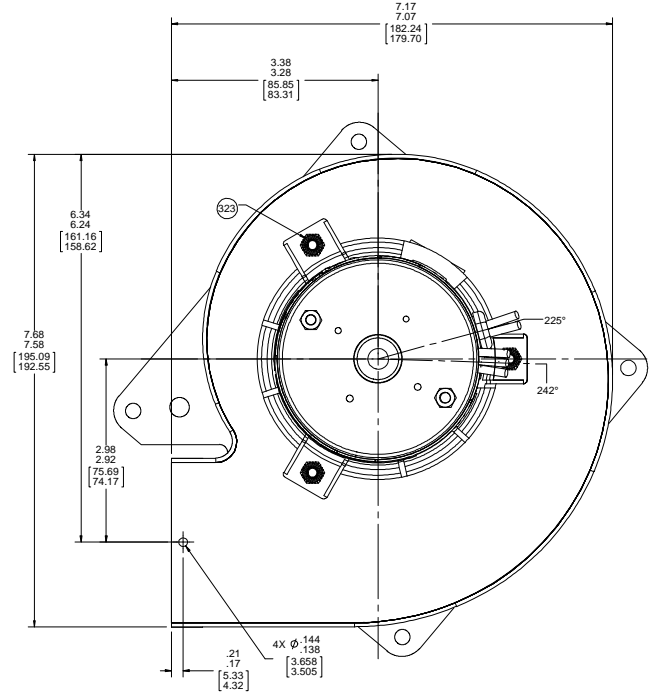
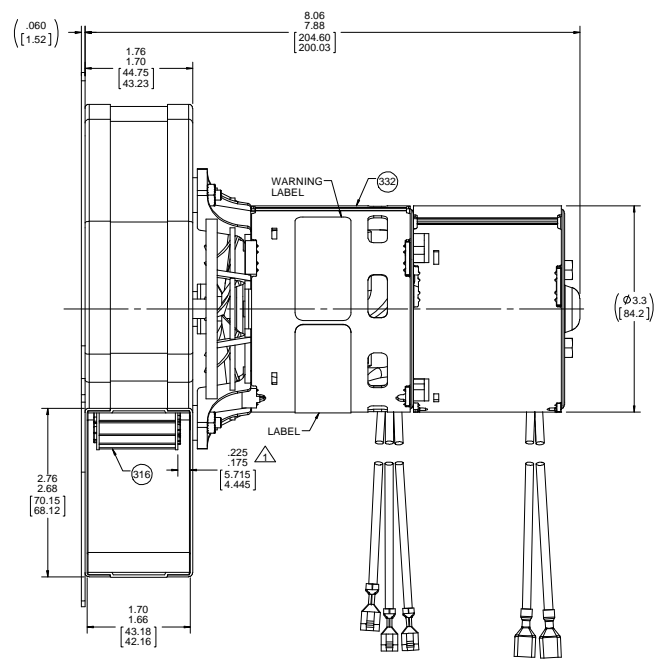
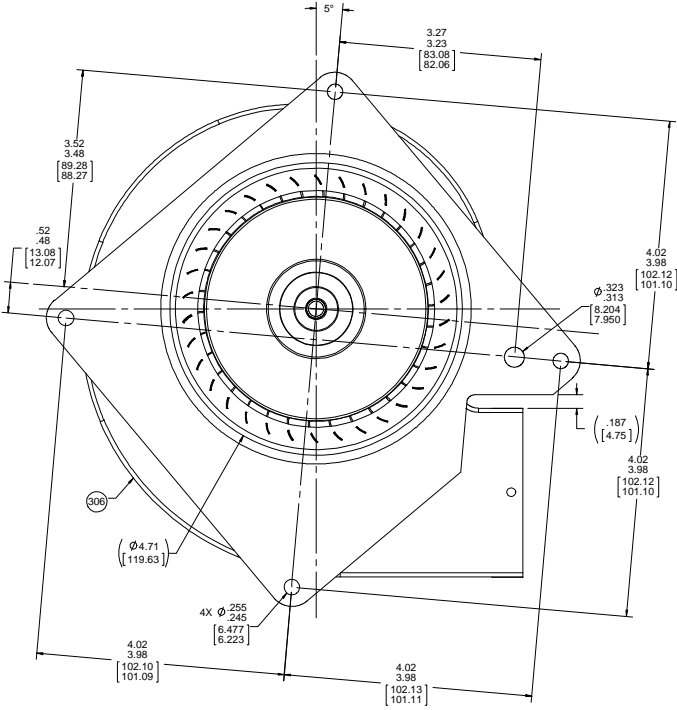


THERMALLY PROTECTED  
 CLASS "B" INSULATION  
 416 SS SHAFT

APPLICATION:	DIST. SALES	B	LA	FR	A	S	C	E	B	A
CUSTOMER:	FASCO DIST.	12	21	49	V	02	JA	9	3	0
CUSTOMER PN:	A162									

LEAD MATERIAL  
 18 GA. 125°C 464 INSUL.  
 EPDM  
 (1) RED, (1) BROWN  
 34.0032.00 [863.60/812.80]  
 (1) BLACK  
 25.0023.00 [635.00/584.20]  
 WFS/PADE TERM.  
 AMP 2-52062-2  
 AMP 42892-2

SWITCH LEADS  
 18 GA. 125°C 364 INSUL.  
 THERMO  
 ORANGE  
 32.0030.00 [812.80/762.00]  
 WFS/PADE TERM.  
 AMP 2-52062-2



TYPICAL PERFORMANCE TEST DATA WITH 1.5 [38.1] DIA. INLET RESTRICTOR AT 230 VOLTS 60Hz			
	RPM	WATTS	AMPS
	3033	68	.44
BLOWER WEIGHT 5.25 LBS.	ENDPLAY .025/008 [.635/203]		

DRAWING REVISION AA	REVISION BY MLS	DATE 11/1/2017	TOLERANCES UNLESS OTHERWISE SPECIFIED: FRACTIONS: .001 - .005 DECIMALS: .05 - .1 ANGLES: .5° - 1°	DRAWN BY MLS	DATE 11/1/2017	DESCRIPTION Regal Beloit America, Inc.
ECO-0131946	APPROVED BY SDM	DATE 11/1/2017	REVISIONS: XXXX - 05.005 [05.07] XXXX - 05.005 [05.07] XXXX - 05.005 [05.07]	APPROVED BY SDM	DATE 11/1/2017	DESCRIPTION OUTLINE BLOWER ASSY
REDRAWN TO SOLIDWORKS THIS DRAWING IS THE PROPERTY OF REGAL BELOIT AMERICA, INC. IT IS TO BE USED ONLY FOR THE PURPOSES SPECIFIED HEREIN. IT IS NOT TO BE REPRODUCED OR TRANSMITTED IN ANY FORM OR BY ANY MEANS, ELECTRONIC OR MECHANICAL, INCLUDING PHOTOCOPYING, RECORDING, OR BY ANY INFORMATION STORAGE AND RETRIEVAL SYSTEM, WITHOUT PERMISSION IN WRITING FROM REGAL BELOIT AMERICA, INC.			FINISHES: SURFACES TO BE MACHINED SHARP EDGES: .020 [0.51] (R) X 45° CORNER FILLETS: R.01 [0.25] MACHINED SURFACES: 12.5 / 3.2 FINISH SHOWN IN BRACKETED	MATERIAL 303 304 316 316L 304V 316V	THIRD ANGLE PROJECTION	SIZE D DRAWING NUMBER 702110892 SHEET 1 OF 1