

WITH ECM MOTOR

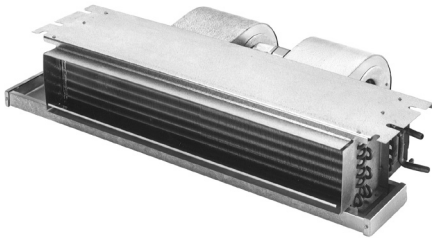
NEW!

NEW OPTION:
MERV 8 FILTER PANELS



CDXX-HW(-C) Series

Horizontal Recessed
Ceiling Fan Coil
1-1/2 - 3 Tons Cooling
Up to 51,700 BTUH HW Heat



CDXX-HW Fan Coil
(without enclosure)



Optional Access Panel
(non-louvered shown)

These recessed ceiling fan coils are designed for use with today's higher efficiency split-system condensing units. High efficiency ECM type motors are standard in all **CDXX-HW** fan coils.

The space-saving **CDXX-HW** series fan coil is only 10" high (11" with enclosure), thus allowing it to recess in a ceiling. Recessed ceiling fan coils save valuable floor space and eliminate costly "equipment" closets.

(1) First Co's customer is ultimately responsible for confirming which fan coil models are compatible with selected outdoor unit(s) and which expansion valves are required. To determine certified indoor/outdoor matches, go to www.firstco.com or contact the factory.

All **CDXX-HW** fan coils include a 120/24V transformer and are completely prewired. A sloped drain pan allows positive drainage of condensate.

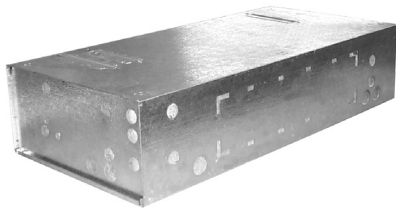
(-C) model: for **CDXX-HW** fan coils installed within an enclosure, add "-C" after **CDXX-HW**. For instance, ordering model **19CDXX-HW-C** will include a **CDXX-HW** fan coil factory installed in a # **9ECDX01** enclosure and your choice of either a solid or louvered panel.

Standard Features:

- High efficiency standard ECM motor
- Factory installed service switch
- Freeze protector on HW coil
- Two speed fan operation
- Single point power connection
- Drain pan has 3/4" NPT primary and secondary (overflow) fittings
- 120V motor, 24V controls
- Highly efficient copper tube/aluminum fin heating and cooling coils. Cooling coil has a piston-type metering device or factory or field installed R410A TXV's (non-bleed type). Contact factory for correct match with outdoor unit.
- Insulated and coated galvanized steel drain pan is sloped for proper drainage
- Effective January 2016, Cabinet air leakage is no more than 2% when tested in accordance with ASHRAE 193.

Optional Accessories:

- Attractive off-white return air / access panel with captive screws (panels can be field painted)
- **IAQ filter panels** (see P. 3)
- Fully insulated enclosure with matching ceiling panel (enclosure can be pre-installed). Also allows for ducted return air.
- Factory or field installed TXV's (non-bleed type)
- Condensate overflow switch (field installed) (# **SS3**)
- Pump module used when the hot water source is a gas-fired water heater (part #**940-3-CV**) (field installed)



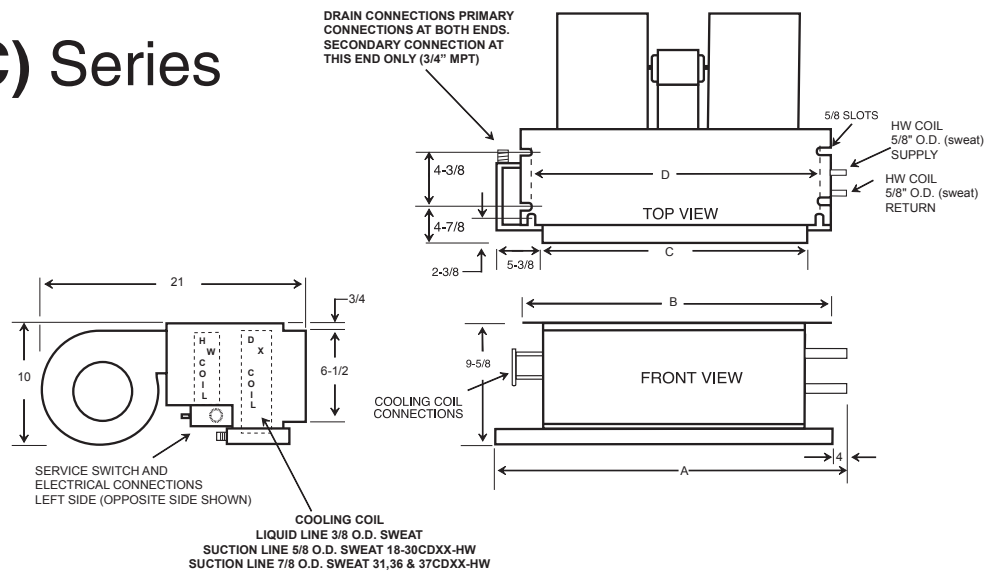
Optional Insulated Enclosure



Matching Access Panel for Enclosure
(non-louvered shown)

CDXX-HW(-C) Series

1-1/2 through 3 tons



(See P. 4 for Model Numbers)

BLOWER DATA												
MODEL	MOTOR HP	SPEED TAP	TAP COLOR	BHP	MOTOR AMPS	CFM vs. EXTERNAL STATIC PRESSURE						
						0.10	0.15	0.20	0.25	0.30	0.35	0.40
19/20CDXX-HW	1/2	OPTIONAL HIGH	GREEN	0.22	2.8	760	745	730	715	700	685	670
		STD. HIGH	ORANGE	0.17	2.1	670	650	630	615	600	588	570
		STD. LOW	YELLOW	0.14	1.6	570	555	540	520	500	480	---
25/26CDXX-HW	1/2	OPTIONAL HIGH	GREEN	0.30	3.8	980	960	940	920	900	875	850
		STD. HIGH	ORANGE	0.25	3.0	890	870	850	830	810	790	770
		STD. LOW	YELLOW	0.21	2.5	800	775	750	725	700	675	---
31CDXX-HW	1/2	OPTIONAL HIGH	WHITE	0.40	4.7	1160	1145	1130	1115	1100	1080	1060
		STD. HIGH	GREEN	0.33	3.8	1060	1040	1020	1005	990	975	960
		OPTIONAL MED	ORANGE	0.28	3.2	970	955	940	920	900	880	860
		STD. LOW	YELLOW	0.23	2.6	870	850	830	810	790	770	---
32CDXX-HW	1/2 (2)	OPTIONAL HIGH	GREEN	0.40	4.7	1290	1270	1250	1225	1200	1175	1150
		STD. HIGH	ORANGE	0.31	3.7	1130	1105	1080	1055	1030	1010	990
		STD. LOW	YELLOW	0.26	3.0	1000	975	950	920	890	875	---
37CDXX-HW	1/2 (2)	OPTIONAL HIGH	WHITE	0.45	5.6	1380	1360	1340	1320	1300	1280	1260
		STD. HIGH	GREEN	0.38	4.7	1290	1270	1250	1225	1200	1175	1150
		STD. LOW	ORANGE	0.31	3.7	1130	1105	1080	1055	1030	1010	---

PHYSICAL DIMENSIONS				
UNIT MODEL	A	B	C	D
19CDXX-HW	45-1/8	37-1/4	30-1/8	34-3/4
20-25CDXX-HW	51-1/8	43-1/4	36-1/8	40-3/4
26-31CDXX-HW	57-1/8	49-1/4	42-1/8	46-3/4
32-37CDXX-HW	64-1/8	56-1/4	49-1/8	53-3/4



In keeping with its policy of continuous progress and product improvement, First Co. reserves the right to make changes without notice. Maintenance for all First Co. products is available under "Product Maintenance" at www.firstco.com.

- Units should not be applied to a system with less than 350 CFM/Ton airflow.
- Shaded speeds are factory settings.
- Add .05 static when enclosure and/or ceiling panel are used.
- 32 and 37CDXX have two motors and four blowers.

PERFORMANCE DATA						
UNIT MODEL	NOMINAL COOLING BTUH	HEATING GPM	PRESS. DROP (FT. WTR)	BTUH (1000) AT ENTERING WATER TEMPERATURE		
				120°F	140°F	180°F
19CDXX-HW	18,000	1	0.7	10.3	14.4	22.6
		2	2.0	12.0	16.8	26.4
		3	3.3	12.9	18.0	28.3
20CDXX-HW	18,000	1	0.8	10.9	15.3	24.0
		2	2.1	12.9	18.0	28.3
		3	4.1	13.7	19.2	30.2
25CDXX-HW	24,000	2	2.1	14.7	20.6	32.4
		3	4.1	15.9	22.2	34.9
		4	6.6	16.5	23.1	36.3
26CDXX-HW	24,000	2	2.2	15.7	22.0	34.6
		3	4.3	17.0	23.8	37.4
		4	6.8	17.6	24.7	38.8
31CDXX-HW	30,000	2	2.2	17.3	24.2	38.0
		3	4.3	18.8	26.3	41.3
		4	6.8	19.6	27.5	43.2
32CDXX-HW	30,000	2	2.8	18.4	25.8	40.5
		3	5.4	20.1	28.2	44.3
		4	8.5	21.1	29.5	46.4
37CDXX-HW	36,000	2	2.8	19.7	27.6	43.4
		3	5.4	21.7	30.4	47.8
		4	8.5	22.8	31.9	50.1

NOTES:

- Heat BTUH is at 70 degree EAT.
- 120 degree and 180 degree data is supplied for boiler applications.
- Heating BTUH output will not exceed output of water heater.
- Approved for installation with 0" clearance to combustible material.
- Use the capacities when Firstco "Flow Control Module" is used (#940-3CV)

EXPANSION VALVE KITS (Heat Pump or cooling only) (FIELD INSTALLED)		
PART NO.	TYPE	FOR
9EVR410-1	R410A	19 - 37CDXX-HW (-C) (1-1/2 - 3 TON)

NOTES:

- Above expansion valve kits are approved for both cooling only (non heat pump) or heat pump applications.
- Valves are non-bleed type. Field added. Hard start kit may be required.
- Valves have screw-on connections.

ELECTRICAL DATA				
UNIT MODEL	MOTOR HP	AMPS	MIN. CIR AMPACITY	MAX CIR PROTECTION
		MOTOR		
19/20CDXX-HW	1/2	7.0	9	15
25/26CDXX-HW	1/2	7.0	9	15
31CDXX-HW	1/2	7.0	9	15
32CDXX-HW	1/2 (2)	7.0	16	20
37CDXX-HW	1/2 (2)	7.0	16	20

Ceiling Access Panels - (For CDXX-HW's installed without enclosure)

CEILING ACCESS PANELS							
FOR MODEL	PANEL NO. (STD.)	PANEL NO. (IAQ)	DESCRIPTION	CEILING PANEL OPENING		PANEL FRAME DIMS (OUTSIDE)	
19CDXX-HW	966	966-M8	LOUVERED	24-1/2	46	27-1/2	49
	966-1	NA	NON-LOUVERED	24-1/2	46	27-1/2	49
20-25CDXX-HW	967	967-M8	LOUVERED	24-1/2	52-1/2	27-1/2	55-1/2
	967-1	NA	NON-LOUVERED	24-1/2	52-1/2	27-1/2	55-1/2
26-31CDXX-HW	967-6	967-6-M8	LOUVERED	24-1/2	60	27-1/2	63
	967-7	NA	NON-LOUVERED	24-1/2	60	27-1/2	63
32-37CDXX-HW	967-8	967-8-M8	LOUVERED	24-1/2	67	27-1/2	70
	967-5	NA	NON-LOUVERED	24-1/2	67	27-1/2	70

STANDARD PANELS



965-1, 966-1, 967-1, 967-7



965, 966, 967, 967-6
(Louvers may differ from picture)
Louvered panels accept 20x20x1" filter
(field supplied)

IAQ PANELS



966-M8, 967-M8 (accepts 2-20x20x1 filter)
967-6-M8 (accepts 2-20x25x1 filter)
967-8-M8 (accepts 2-20x30x1 filter)
(GlasFloss® Industries Series
HV filter or equivalent is recommended)

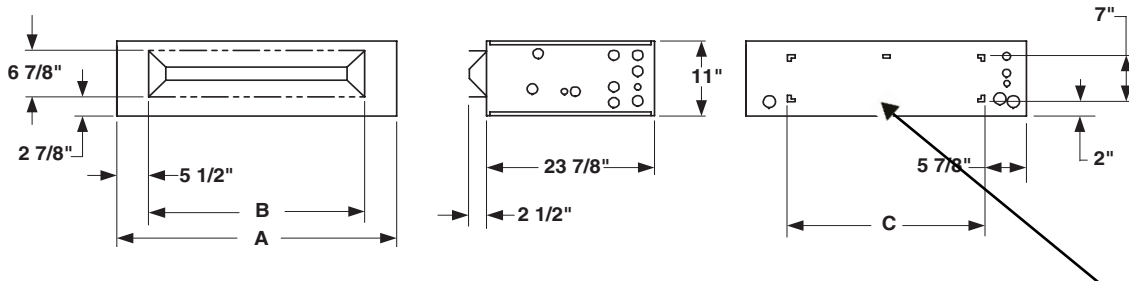
Enclosures with Matching Ceiling Panels (Enclosures and panels are included as standard with ALL "-C" models or can be ordered separately for CDXX-HW models)

ENCLOSURE DIMENSIONS				PANEL NO (STD.)	PANEL NO (IAQ)	DESCRIPTION	CEILING PANEL OPENING		PANEL FRAME DIMS (OUTSIDE)		
FOR MODEL	ENCLOSURE	A	B	C		(2)	W	L	W	L	
19CDXX-HW	9ECDX01 (1)	45-3/4	30-7/8	34	966	966-M8	LOUVERED	24-1/2	46	27-1/2	49
					966-1	NA	NON-LOUVERED	24-1/2	46	27-1/2	49
20-25CDXX-HW	9ECDX02 (1)	51-3/4	36-7/8	40	967	967-M8	LOUVERED	24-1/2	52-1/2	27-1/2	55-1/2
					967-1	NA	NON-LOUVERED	24-1/2	52-1/2	27-1/2	55-1/2
26-31CDXX-HW	9ECDX03 (1)	58-1/2	42-7/8	46-3/4	967-6	967-6-M8	LOUVERED	24-1/2	60	27-1/2	63
					967-7	NA	NON-LOUVERED	24-1/2	60	27-1/2	63
32-37CDXX-HW	9ECDX04 (1)	66-1/2	49-7/8	54-3/4	967-8	967-8-M8	LOUVERED	24-1/2	67	27-1/2	70
					967-5	NA	NON-LOUVERED	24-1/2	67	27-1/2	70

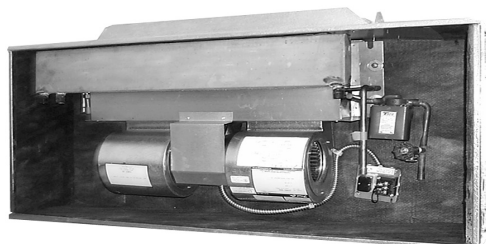
(See Panel Pictures Above)

NOTES:

(1) Louvered is the "default" style and automatically shipped unless non-louvered is specified on order.



TEMPLATE FOR DUCTED RETURN
(Ducted return requires remote filter grille
(field supplied) and non-louvered panel)



Picture shown is a "-C" model with installed CDXX-HW
(Available from the factory as a complete unit)

CDXX-HW(-C) Series

1-1/2 through 3 tons

MODEL NUMBERS:

MODEL SIZE (BTU)	UNCASED (NO ENCLOSURE)		FACTORY INSTALLED ENCLOSURE	
	MODEL (PISTON)	FACTORY INSTALLED TXV'S	MODEL (PISTON)	FACTORY INSTALLED TXV'S
		MODEL (R410A TXV)		MODEL (R410A TXV)
18,000	19CDXX-HW	19CDXX-HW R410 TXV	19CDXX-HW-C	19CDXX-HW-C R410 TXV
18,000	20CDXX-HW	20CDXX-HW R410 TXV	20CDXX-HW-C	20CDXX-HW-C R410 TXV
24,000	25CDXX-HW	25CDXX-HW R410 TXV	25CDXX-HW-C	25CDXX-HW-C R410 TXV
24,000	26CDXX-HW	26CDXX-HW R410 TXV	26CDXX-HW-C	26CDXX-HW-C R410 TXV
30,000	31CDXX-HW	31CDXX-HW R410 TXV	31CDXX-HW-C	31CDXX-HW-C R410 TXV
30,000	32CDXX-HW	32CDXX-HW R410 TXV	32CDXX-HW-C	32CDXX-HW-C R410 TXV
36,000	37CDXX-HW	37CDXX-HW R410 TXV	37CDXX-HW-C	37CDXX-HW-C R410 TXV

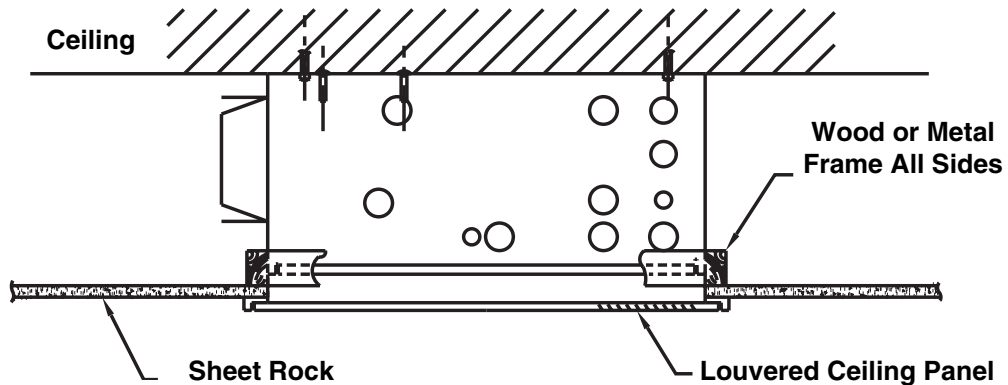
All TXV's are approved for cooling only or heat pump operation (non-bleed type).

NOTE:

Expansion valve requirement depends on the selected outdoor unit.

Go to: www.firstco.com or contact the factory for assistance.

ENCLOSURE INSTALLATION SUPPORT FRAMING



ENCLOSURE CONNECTION LOCATIONS

