



4", 6", 8", & 10" Motors & Controls

Available January 2019

MORE THAN A BRAND. WE'RE A FAMILY.

4" A.Y. McDonald Submersible Motors

A.Y. McDonald offers a full line of four inch asynchronous two-pole submersible motors ranging from 1/2 HP through 10 HP. Cooling and lubrication of the thrust bearing assembly is provided by a mixture of water and Glycol. Our two-wire motors have the capacitor placed in a Noryl cartridge directly connected to the motor. Two-wire motors do not require an external control box.

Features:

- 304 Stainless Steel for all parts that come in contact with water.
- 304 Stainless Steel motor shaft.
- Squirrel-cage rotor mounted on a self-centering thrust bearing.
- Stator housed in an airtight 304L Stainless Steel casing (can-type)
- Temperature Rating 95°F.



A.Y. McDonald Submersible Motors



4" Water Well - Two Wire - Single Phase - 60 HZ

A.Y. McDonald Part No.	A.Y. McDonald Model No.	HP	Voltage	kw	Service Factor	AMP (in)	Downward Thrust	Cable length (ft.)
3132-008	SM0412 0.5HP115V	1/2	115	0.37	1.6	8.6	500	5 1/2
3132-005	SM0412 0.5HP230V	1/2	230	0.37	1.6	3.9	500	5 1/2
3132-006	SM0412 0.75HP230V	3/4	230	0.55	1.5	6.3	500	5 1/2
3132-007	SM0412 1HP230V	1	230	0.75	1.4	7.7	700	5 1/2
3132-009	SM0412 1.5HP230V	1 1/2	230	1.1	1.3	11.8	700	5 1/2



4" Water Well - Three Wire - Single Phase - 60 HZ (Control Box Required)

A.Y. McDonald Part No.	A.Y. McDonald Model No.	HP	Voltage	kw	Service Factor	AMP (in)	Downward Thrust	Cable length (ft.)
3132-003	SM0413 0.5HP115V	1/2	115	0.37	1.6	10	500	5 1/2
3132-004	SM0413 0.5HP230V	1/2	230	0.37	1.6	5.5	500	5 1/2
3132-000	SM0413 0.75HP230V	3/4	230	0.55	1.5	7.4	500	5 1/2
3132-001	SM0413 1HP230V	1	230	0.75	1.4	8.3	700	5 1/2
3132-002	SM0413 1.5HP230V	1 1/2	230	1.1	1.3	10.1	700	5 1/2
3132-510	SM0413 2HP230V	2	230	1.5	1.25	10.6	700	5 1/2
3132-512	SM0413 3HP230V	3	230	2.2	1.15	14.3	1500	5 1/2
3132-513	SM0413 5HP230V	5	230	3.7	1.15	22.2	1500	8 3/4



4" Water Well - Three Wire - Three Phase - 60 HZ (Starter Kit Required)

A.Y. McDonald Part No.	A.Y. McDonald Model No.	HP	Voltage	kw	Service Factor	AMP (in)	Downward Thrust	Cable length (ft.)
3132-525	SM0433 0.5HP230V	1/2	230	0.37	1.6	3.2	500	5 1/2
3132-526	SM0433 0.5HP460V		460	0.37	1.6	1.6	500	5 1/2
3132-527	SM0433 0.75HP230V	3/4	230	0.55	1.5	4.4	500	5 1/2
3132-528	SM0433 0.75HP460V		460	0.55	1.5	2.2	500	5 1/2
3132-529	SM0433 1HP230V	1	230	0.75	1.4	5.2	500	5 1/2
3132-530	SM0433 1HP460V		460	0.75	1.4	2.6	500	5 1/2
3132-531	SM0433 1.5HP230V	1 1/2	230	1.1	1.3	7.2	700	5 1/2
3132-532	SM0433 1.5HP460V		460	1.1	1.25	3.6	700	5 1/2
3132-533	SM0433 1.5HP575V		575				700	5 1/2
3132-534	SM0433 2HP230V	2	230	1.5	1.15	9.2	700	5 1/2
3132-535	SM0433 2HP460V		460	1.5	1.15	4.6	700	5 1/2
3132-536	SM0433 2HP575V		575	1.5	1.15		700	5 1/2
3132-514	SM0433 3HP230V	3	230	2.2	1.15	11.2	1500	5 1/2
3132-515	SM0433 3HP460V		460	2.2	1.15	5.6	1500	5 1/2
3132-516	SM0433 3HP575V		575	2.2	1.15		1500	5 1/2
3132-517	SM0433 5HP230V	5	230	4	1.15	17.8	1500	8 3/4
3132-518	SM0433 5HP460V		460	4	1.15	8.9	1500	8 3/4
3132-519	SM0433 5HP575V		575	4	1.15		1500	8 3/4
3132-520	SM0433 7.5HP230V	7 1/2	230	5.5	1.15	24	1500	8 3/4
3132-521	SM0433 7.5HP460V		460	5.5	1.15	12	1500	8 3/4
3132-522	SM0433 7.5HP575V		575	5.5	1.15		1500	8 3/4
3132-523	SM0433 10HP460V	10	460	7.5	1.15	15.4	1500	11 1/2
3132-524	SM0433 10HP575V		575	7.5	1.15		1500	11 1/2

Do not use motors in swimming areas

4" A.Y. McDonald Submersible Motors Two-Wire

4" Asynchronous two-pole submersible motor, made in AISI 304 stainless steel for parts in contact with water. Cooling and lubrication of the thrust bearing assembly and carbon bushes is provided by a mixture of water and glycol. Squirrel-cage rotor mounted on self-centering thrust bearing. Stator housed in an airtight stainless steel casing (canned-type) with both flanges and shell in AISI 304L stainless steel. Removable cable connector to allow fast and easy maintenance. The capacitor is placed in the Noryl cartridge directly connected to the motor, so the motor doesn't require an external control box. Thermal protection included in the motor from 1/2 HP to 1 HP in the 230V - 60 Hz version.



Technical Specification

Flange	NEMA 4"
Insulation class	F
Degree of protection	IP68
Cooling flow	1.0 ft/sec @ 95 °F
Voltage tolerance	+ 6% / -10%
Max starts	20/h
Max operating depth	984 ft
Horizontal operation	1/2 HP - 1 1/2 HP

Components



Canned stator with external shell and flanges made in AISI 304L stainless steel. The stator has 24 slots for better elasticity and regularity of operation. Class F double insulated copper wire. Thermal protection included in the motor from 1/2 HP to 1 HP in the 230V - 60 Hz version.



Kingsbury type thrust bearing unit consisting of tilting pads made of highly-resistant stainless steel and machined using the spherical lapping process.



Shafts with end part made of stainless steel AISI 304 with a special process of surface hardening and polishing of the working area of the bushes. Squirrel-cage rotor made in aluminium.

Electrical Data 60 Hz Single Phase Motors

P2	V	SF	In	In (SF)	Is/In	Cs/Cn	P1	N	Cos φ	η	C	Ø	LC
[HP]	[kW]	[V]	[A]	[A]			[W]	[min ⁻¹]		%	[uF]	[AWG]	[ft]
1/2	0.37	115	1.6	8.6	10	4.2	0.65	800	3450	0.88	46	80	5 1/2
		230	1.6	3.9	5	4.6	0.65	800	3450	0.88	46	20	5 1/2
3/4	0.55	230	1.5	6.3	6.9	4.3	0.65	1200	3450	0.82	47	25	5 1/2
1	0.75	230	1.4	7.7	8.8	4.8	0.68	1500	3450	0.84	50	35	5 1/2
1 1/2	1.1	230	1.3	11.8	12.7	4.7	0.70	2120	3450	0.85	53	40	5 1/2

P2: Rated output

In: Rated current

Cs/Cn: Locked rotor Torque/Rated Torque

Cos φ: Power factor

Ø: Cable section

V: Rated voltage

In (SF): Service factor current

P1: Power consumption

η: Efficiency

LC: Cable length

SF: Service factor

Is/In: Locked rotor current/Rated current

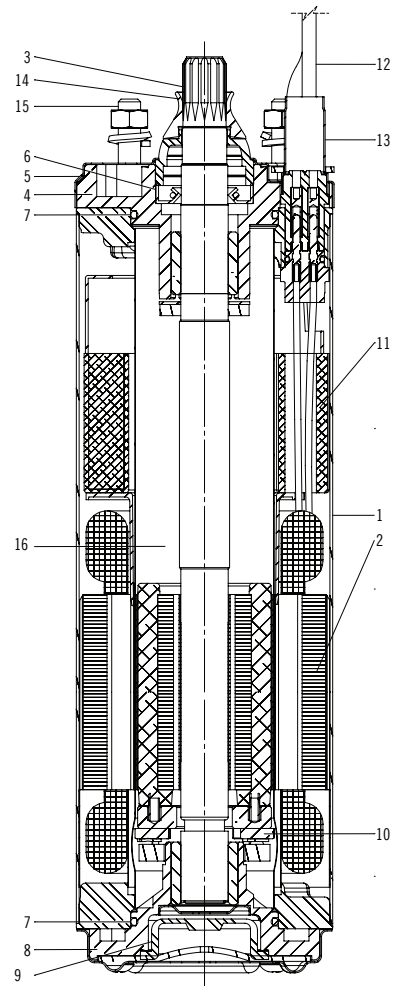
N: R.P.M

C: Capacitor

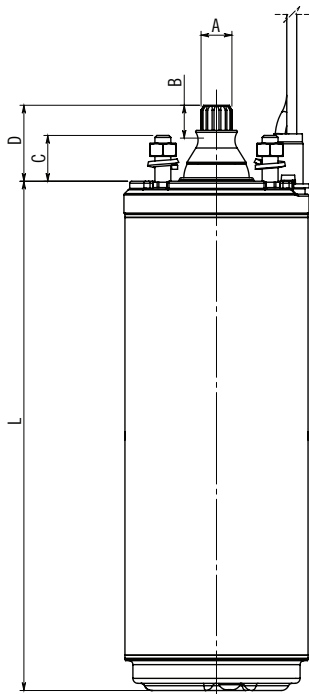
4" A.Y. McDonald Submersible Motors Two-Wire

Materials

COMPONENTS		
1	Int. and external sleeve	AISI 304
2	Stator	AISI 304L
3	Shaft	AISI 431
4	Upper bracket	Cast Iron
5	Bracket cover	AISI 304
6	Lip seal	NBR
7	Gasket	NBR
8	Lower Bracket	Cast Iron
9	Diaphragm	EPDM
10	Thrust Bearing	Stainless Steel - Graphite
11	Capacitor	Internal Capacitor
12	Cable	EPDM
13	Connecting Plug	AISI 316
14	Sand guard (fixed-removable)	NBR
15	Bolts & Screws	AISI 304
16	Cooling Liquid	Glycol + water



4" Motors & Controls

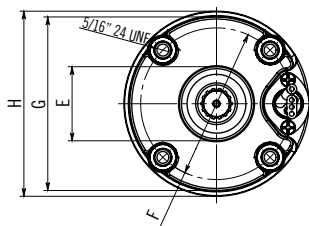


60 Hz Dimensions Single Phase Motors

Type	[HP]	[kW]	L [inch]	Wt. [lbs]	Axial Thrust [lbf]
60 Hz	1/2 / 115V	0.37	13.425	21.4	500
	1/2 / 230V	0.37	13.031	21.0	500
	3/4	0.55	13.819	23.2	500
	1	0.75	16.772	28.9	700
	1 1/2	1.1	18.543	33.3	700

60 Hz Dimensions

Pos.	inch	Pos.	inch
A	0.61 ^{+0.002} _{-0.003}	E	1.465 ^{+0.016} _{-0.016}
B	0.591 ^{+0.02} ₋₀	F	3 ^{+0.004} ₋₀
C	0.906 ^{+0.005} _{-0.005}	G	3.437 ⁺⁰ _{-0.004}
D	1 1/2 ^{+0.02} _{-0.02}	H	3.662 ^{+0.004} _{-0.004}



- CSA Certified



4" A.Y. McDonald Submersible Motors Three-Wire

4" Asynchronous two-pole submersible motor, made in AISI 304 stainless steel for parts in contact with water. Cooling and lubrication of the thrust bearing assembly and carbon brushes is provided by a mixture of water and glycol. Squirrel-cage rotor mounted on self-centering thrust bearing. Stator housed in an airtight stainless steel casing (canned-type) with both flanges and shell in AISI 304L stainless steel. Removable cable connector to allow fast and easy maintenance. Motor suitable for use with variable frequency drive (60 Hz). For the single-phase 60 Hz version the thermal protection is included in the motor (from 1/2 HP to 1 HP). Overload protection must be provided by user for the three-phase version.



Technical Specification

Flange	NEMA 4"
Insulation class	F
Degree of protection	IP68
Cooling flow	1.0 ft/sec @ 95 °F
Voltage tolerance	+ 6% / -10%
Max starts	20/h
Max operating depth	984 ft
Horizontal operation	1/2 HP - 10 HP

Components



Canned stator with external shell and flanges made in AISI 304L stainless steel. The stator has 24 slots for better elasticity and regularity of operation. Class F double insulated copper wire.



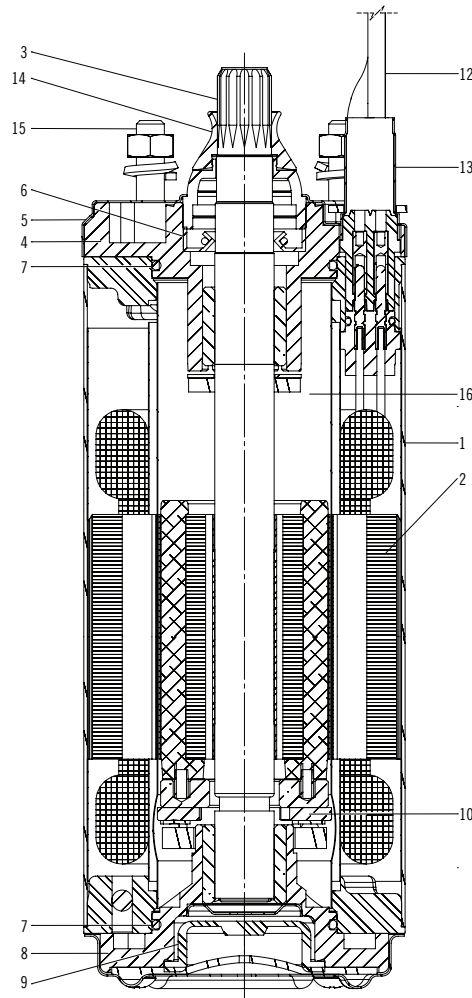
Kingsbury type thrust bearing unit consisting of tilting pads made of highly-resistant stainless steel and machined by using the spherical lapping process.



Shafts with end part made of stainless steel AISI 304/Duplex with a special process of surface hardening and polishing of the working area of the bushes. Squirrel-cage rotor made in aluminium for motor power 1/2HP through 3 HP and in copper for motor power 5 HP and above.

4" A.Y. McDonald Submersible Motors

Three-Wire



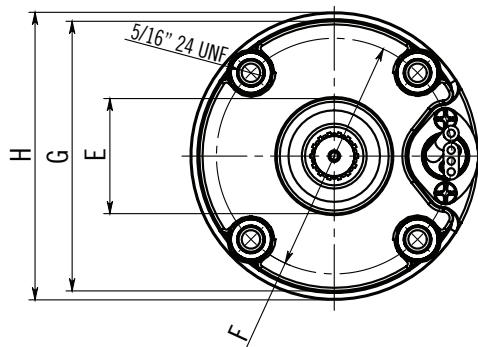
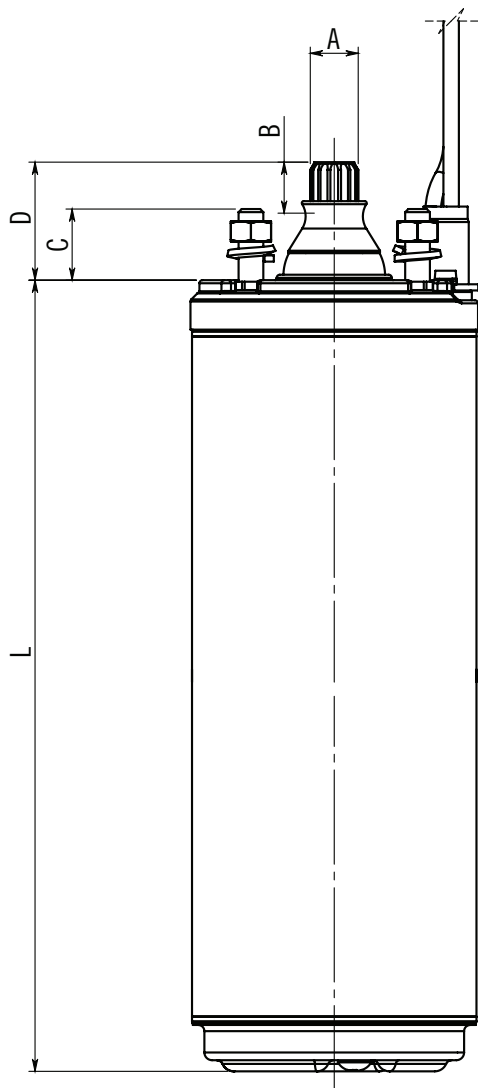
Materials

COMPONENTS		
1	Int. and external sleeve	AISI 304
2	Stator	AISI 304L / Duplex
3	Shaft end	AISI 431
4	Upper bracket	Cast Iron
5	Bracket cover	AISI 304
6	Lip seal	NBR
7	Gasket	NBR
8	Lower Bracket	Cast Iron
9	Diaphragm	EPDM
10	Thrust Bearing	Stainless Steel - Graphite
11	Valve	AISI 303
12	Cable	EPDM
13	Connecting Plug	AISI 316
14	Sand guard (fixed-removable)	NBR
15	Bolts & Screws	AISI 304
16	Cooling Liquid	Glycol + water

4" A.Y. McDonald Submersible Motors

Three-Wire

4" Motors & Controls



60 Hz Dimensions / Single Phase Motors

Type			L	WT	Axial Thrust
	[HP]	[kW]	[inch]	[lbs]	[lbf]
60 Hz 3W	1/2	0.37	10.472	19.4	500
	3/4	0.55	11.260	21.4	500
	1	0.75	13.622	27.8	700
	1 1/2	1.1	16.181	32.5	700
	2	1.5	16.181	32.7	700
	3	2.2	21.417	45.2	1500
	5	3.7	26.929	59.8	1500

60 Hz Dimensions / Three Phase Motors

Type			L	Wt.	Axial Thrust
	[HP]	[kW]	[inch]	[lbs]	[lbf]
60 Hz	1/2	0.37	9.291	16.3	500
	3/4	0.55	10.472	19.4	500
	1	0.75	11.260	21.4	500
	1 1/2	1.1	13.622	25.8	700
	2	1.5	15.394	30.5	700
	3	2.2	19.843	40.8	1500
	5	4	24.173	51.9	1500
	7 1/2	5.5	26.929	59.8	1500
	10	7.5	30.079	68.7	1500

60 Hz Dimensions

Pos.	inch	Pos.	inch
A	0.61 ^{+0.002} _{-0.003}	E	1.465 ^{+0.016} _{-0.016}
B	0.591 ^{+0.02} ₀	F	3 ^{+0.004} ₀
C	0.906 ^{+0.005} _{-0.005}	G	3.437 ⁺⁰ _{-0.004}
D	1 1/2 ^{+0.02} _{-0.02}	H	3.662 ^{+0.004} _{-0.004}

- CSA Certified



4" A.Y. McDonald Submersible Motors

Three-Wire

Electrical Data 60 Hz

Single Phase Motors

P2		V	SF	In	In (SF)	Is/In	Cs/Cn	P1	N	Cos φ	η	C1	C2	Ø	LC
[HP]	[kW]	[V]		[A]	[A]			[W]	[min ⁻¹]		%	[uF]	[uF]	[AWG]	[ft]
1/2	0.37	115	1.6	10	12.6	4.2	0.65	1050	3450	0.80	56	-	250-300	4x14	5 1/2
		230	1.6	5.5	6.6	4.6	0.65	1130	3450	0.78	54	-	59-71	4x14	5 1/2
3/4	0.55	230	1.5	7.4	8.6	4.0	0.65	1420	3450	0.80	56	-	86-103	4x14	5 1/2
1	0.75	230	1.4	8.3	9.8	4.9	0.68	1650	3450	0.80	62	-	105-126	4x14	5 1/2
1 1/2	1.1	230	1.3	10.1	11.5	4.6	0.70	2100	3450	0.88	67	10	105-126	4x14	5 1/2
2	1.5	230	1.25	10.6	13.0	5.4	0.65	2700	3450	0.95	70	20	105-126	4x14	5 1/2
3	2.2	230	1.15	14.3	16.2	3.6	0.50	3500	3450	0.94	71	45	208-250	4x14	5 1/2
5	3.7	230	1.15	22.2	24.3	3.3	0.50	5700	3450	0.98	76	2x40	270-324	4x14	8 3/4

Electrical Data 60 Hz

Three Phase Motors

P2		V	SF	In	In (SF)	Is/In	Cs/Cn	P1	N	Cos φ	η	C	Ø	LC
[HP]	[kW]	[V]		[A]	[A]			[W]	[min ⁻¹]		%	[uF]	[mm ²]	[ft]
1/2	0.37	230	1.6	3.2	3.8	4.4	3.2	870	3450	0.40	42	-	4x14	5 1/2
		460	1.6	1.6	1.9	5.0	3.2	870	3450	0.40	42	-	4x14	5 1/2
3/4	0.55	230	1.5	4.4	4.8	5.2	3.6	1140	3450	0.47	48	-	4x14	5 1/2
		460	1.5	2.2	2.4	5.5	3.6	1140	3450	0.47	48	-	4x14	5 1/2
1	0.75	230	1.4	5.2	5.6	6.4	4.2	1260	3450	0.59	59	-	4x14	5 1/2
		460	1.4	2.6	2.8	5.8	4.2	1260	3450	0.59	59	-	4x14	5 1/2
1 1/2	1.1	230	1.3	7.2	7.8	5.9	4.1	1875	3450	0.53	60	-	4x14	5 1/2
		460	1.25	3.6	3.9	6.7	4.1	1875	3450	0.53	60	-	4x14	5 1/2
2	1.5	230	1.15	9.2	9.8	6.1	3.8	2230	3450	0.57	67	-	4x14	5 1/2
		460	1.15	4.6	4.9	6.7	3.8	2230	3450	0.57	67	-	4x14	5 1/2
3	2.2	230	1.15	11.2	12.0	7.5	4.8	3160	3450	0.69	71	-	4x14	5 1/2
		460	1.15	5.6	6.0	7.1	4.8	3160	3450	0.69	71	-	4x14	5 1/2
5	4	230	1.15	17.8	19.2	7.4	4.0	5230	3450	0.70	77	-	4x14	8 3/4
		460	1.15	8.9	9.6	7.4	4.0	5230	3450	0.70	77	-	4x14	8 3/4
7 1/2	5.5	230	1.15	24.0	26.0	7.5	3.8	7100	3450	0.71	78	-	4x14	8 3/4
		460	1.15	12.0	13.0	7.5	3.8	7100	3450	0.71	78	-	4x14	8 3/4
10	7.5	460	1.15	15.4	16.6	7.1	3.9	9300	3450	0.78	80	-	4x14	11 1/2

P2: Rated output
In: Rated current
Cs/Cn: Locked rotor Torque/Rated Torque
Cos φ: Power factor
Ø: Cable section

V: Rated voltage
In (SF): Service factor current
P1: Power consumption
η: Efficiency
LC: Cable length

SF: Service factor
Is/In: Locked rotor current/Rated current
N: R.P.M
C: Capacitor

A.Y. McDonald Control Box

A.Y. McDonald offers a full line of control boxes to be used with our single phase three-wire pump/motor assemblies.

Features:

- Metal casing
- Auxiliary contacts for control by probes

Standard

- For use with three wire single phase submersible motors 1/2 through 1 HP. Capacitor start.

A.Y. McDonald Part No.	A.Y. McDonald Model No.	HP	Voltage	HZ	KW
6619-004	SC0413 0.5HP115VS	1/2	115	60	.37
6619-005	SC0413 0.5HP230VS	1/2	230	60	.37
6619-014	SC0413 0.75HP230VS	3/4	230	60	.55
6619-015	SC0413 1HP230VS	1	230	60	.75



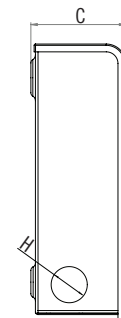
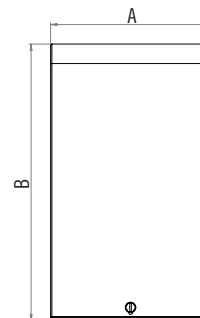
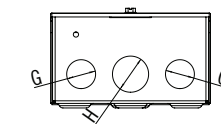
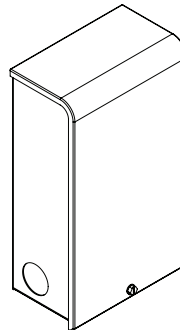
Electrical Data 60 Hz

For Motors Three-Wire

[HP]	[kW]	[V]	[μF]	[V]	A x B x C [inch]	W [lbs]
1/2	0.37	115	250-300	125	4.9" x 8.2" x 2.9"	2.8
1/2	0.37	230	59-71	250	4.9" x 8.2" x 2.9"	2.4
3/4	0.55	230	86-103	250	4.9" x 8.2" x 2.9"	2.4
1	0.75	230	105-126	250	4.9" x 8.2" x 2.9"	2.6

Standard Control Box & Knockout Dimension

Pos.	inch
A	4.9"
B	8.2"
C	2.9"
G	1/2" conduit
H	3/4" conduit



A.Y. McDonald Control Box

A.Y. McDonald offers a full line of control boxes to be used with our single phase three-wire pump/motor assemblies.

Features:

- Metal casing
- Auxiliary contacts for control by probes
- Thermal protection with external manual reset

Standard

- For use with three wire single phase submersible motors 1 1/2 through 5 HP. Capacitor start and Capacitor run.

A.Y. McDonald Part No.	A.Y. McDonald Model No.	HP	Voltage	HZ	KW
6619-012	SC0413 1.5HP230VS	1 1/2	230	60	1.1
6619-006	SC0413 2HP230VS	2	230	60	1.5
6619-007	SC0413 3HP230VS	3	230	60	2.2
6619-008	SC0413 5HP230VS	5	230	60	3

Deluxe

- For use with three wire single phase submersible motors 1/2 through 5 HP. Includes Magnetic Line Contactor, Capacitor start, and Capacitor run.

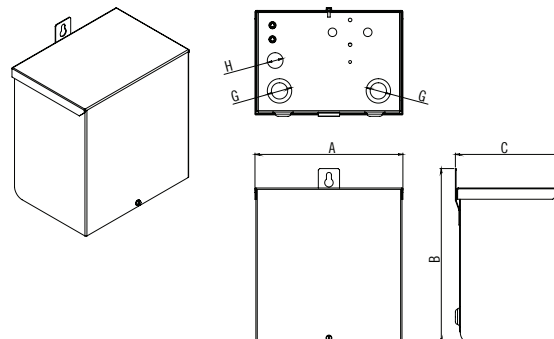
A.Y. McDonald Part No.	A.Y. McDonald Model No.	HP	Voltage	HZ	KW
6619-013	SC0413 1.5HP230VD	1 1/2	230	60	1 1/2
6619-010	SC0413 2HP230VD	2	230	60	1.5
6619-011	SC0413 3HP230VD	3	230	60	2.2
6619-009	SC0413 5HP230VD	5	230	60	3

Electrical Data 60 Hz For Motors Thire-Wire

Type	P2		V	C1	C1	C2	C2	A x B x C	W
	[HP]	[kW]							
Standard	1 1/2	1.1	230	10	370	105-126	250	8.3" x 9.8" x 5.9"	5.6
Standard	2	1.5	230	20	370	105-126	250	8.3" x 9.8" x 5.9"	5.8
Standard	3	2.2	230	45	370	208-250	250	8.3" x 9.8" x 5.9"	5.8
Standard	5	3.0	230	2x40	370	270-324	250	8.3" x 9.8" x 5.9"	5.8
Deluxe	1 1/2	1.1	230	10	370	105-126	250	8.3" x 9.8" x 5.9"	5.8
Deluxe	2	1.5	230	20	370	105-126	250	8.3" x 9.8" x 5.9"	5.9
Deluxe	3	2.2	230	45	370	208-250	250	8.3" x 9.8" x 5.9"	6.0
Deluxe	5	3.0	230	2x40	370	270-324	250	8.3" x 9.8" x 5.9"	6.0

Control Box Dimension

Pos.	inch
A	8.3"
B	9.8"
C	5.9"
G	1" conduit
H	1/2" conduit



Starter Kits

IEC Starter Kits for three phase motors

Each kit includes Nema 1 enclosure, contactor, and overload assembled with the correct voltage coil needed.

STARTER KITS WITH 230V COIL

A. Y. M ^c Donald Part No.	HP	Volts	Wt.
3131-303	1/2	230	6
3131-304	3/4	230	6
3131-305	1	230	6
3131-306	1 1/2	230	6
3131-307	2	230	6
3131-308	3	230	6
3131-309	5	230	6
3131-310	7 1/2	230	6
3131-311	10	230	9

STARTER KITS WITH 460V COIL

A. Y. M ^c Donald Part No.	HP	Volts	Wt.
3131-316	1/2	460	6
3131-317	3/4	460	6
3131-318	1	460	6
3131-319	1 1/2	460	6
3131-320	2	460	6
3131-321	3	460	6
3131-322	5	460	6
3131-323	7 1/2	460	6
3131-324	10	460	6



Pumptec



QD Pumptec

- For use with 4" single phase, three wire submersible motors 1/3 through 1 HP.

HP	Volts	HZ	Franklin Model No.	A.Y. M ^c Donald Model No.
1/3 - 1	230	60	580 007 0600	6617-145

Protects against:

- Low yield wells - Low voltage - Power surges
- Air or gas locked pump - Drop in water level
- Clogged well screen - Broken shaft or coupling - Worn pump parts



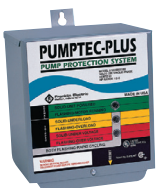
Pumptec - with remote reading

- For use with 4" single phase submersible motors 1/3 through 1 1/2 HP.

HP	Volts	HZ	Franklin Model No.	A.Y. M ^c Donald Model No.
1/3 - 1 1/2	115/230	60	580 002 0600	6617-425

Protects against:

- Low yield wells - Low voltage
- Air or gas locked pump - Drop in water level
- Clogged well screen - Broken shaft or coupling - Worn pump parts



Pumptec - Plus

- For use with 4" single phase submersible motors 1/2 through 5 HP.

HP	Volts	HZ	Franklin Model No.	A.Y. M ^c Donald Model No.
1/2 - 5	230	60	580 006 0100	6617-143

Protects against:

- Over/under load - Over/under voltage
- Low yield wells - Mud or sand clogging
- Cavitation (air lock) - Drop in water level
- Rapid cycling - Faulty check valve

6", 8", & 10" A.Y. McDonald Submersible Motors

A.Y. McDonald offers a full line of 6", 8", & 10" submersible motors. Our 6" motors range from 5 HP to 60 HP. The 8" motors range from 40 HP to 150 HP and our 10" motors range from 100 HP up to 260 HP. Cooling and lubrication of the thrust bearing assembly is provided by a mixture of water and glycol.

Features:

- AISI 304 stainless steel shell, thrust bearings, shaft ends
- Removable cable connector to allow fast and easy maintenance
- Temperature Rating 104°F.



6", 8", & 10" Motors & Controls

6", 8", & 10" A.Y. McDonald Submersible Motors



6" Water Well - Three Wire DOL - Single Phase - 60 HZ (Control Box Required)

A.Y. McDonald Part No.	A.Y. McDonald Model No.	HP	Voltage	kw	Service Factor	AMP (in)	Downward Thrust	Cable length (ft).
3132-549	SM0613 7.5HP230V	7.5	230	5.5	1.15	33.6	3600	13
3132-547	SM0613 10HP230V	10	230	7.5	1.15	43.2	3600	13
3132-548	SM0613 15HP230V	15	230	11	1.15	62.9	3600	13

6" Water Well - Three Wire DOL - Three Phase - 60 Hz (Starter Kit Required)

A.Y. McDonald Part No.	A.Y. McDonald Model No.	HP	Voltage	kw	Service Factor	AMP (in)	Downward Thrust	Cable length (ft).
3132-551	SM0633 5HP230V	5	230	4	1.15	18.5	3600	13
3132-552	SM0633 5HP460V		460	4	1.15	8.6	3600	13
3132-593	SM0633 5HP575V		575	4	1.15	6.9	3600	13
3132-553	SM0633 7.5HP230V	7.5	230	5.5	1.15	24.0	3600	13
3132-554	SM0633 7.5HP460V		460	5.5	1.15	12.0	3600	13
3132-594	SM0633 7.5HP575V		575	5.5	1.15	9.6	3600	13
3132-555	SM0633 10HP230V	10	230	7.5	1.15	34.0	3600	13
3132-556	SM0633 10HP460V		460	7.5	1.15	15.0	3600	13
3132-570	SM0633 10HP575V		575	7.5	1.15	12.0	3600	13
3132-557	SM0633 15HP230V	15	230	11	1.15	50.0	3600	13
3132-558	SM0633 15HP460V		460	11	1.15	21.0	3600	13
3132-572	SM0633 15HP575V		575	11	1.15	16.8	3600	13
3132-559	SM0633 20HP230V	20	230	15	1.15	63.0	3600	13
3132-560	SM0633 20HP460V		460	15	1.15	27.6	3600	13
3132-573	SM0633 20HP575V		575	15	1.15	22.1	3600	13
3132-561	SM0633 25HP230V	25	230	18.5	1.15	73.4	3600	13
3132-562	SM0633 25HP460V		460	18.5	1.15	36.7	3600	13
3132-591	SM0633 25HP575V		575	18.5	1.15	29.3	3600	13
3132-563	SM0633 30HP230V	30	230	22	1.15	95.0	3600	13
3132-564	SM0633 30HP460V		460	22	1.15	44.7	3600	13
3132-592	SM0633 30HP575V		575	22	1.15	35.7	3600	13
3132-565	SM0633 40HP460V	40	460	30	1.15	54.0	6000	13
3132-571	SM0633 40HP575V		575	30	1.15	43.2	6000	13
3132-566	SM0633 50HP460V	50	460	37	1.15	69.0	6000	13
3132-568	SM0633 50HP575V		575	37	1.15	55.0	6000	13
3132-567	SM0633 60HP460V	60	460	45	1.15	82.0	6000	13
3132-569	SM0633 60HP575V		575	45	1.15		6000	13



These motors are built for dependable operation in 6" diameter or larger water wells.

Do not use motors in swimming areas

6", 8", & 10" Motors & Controls

6", 8", & 10" A.Y. McDonald Submersible Motors



These motors are built for dependable operation in 8" diameter or larger water wells.

8" Water Well - Three Wire DOL - Three Phase - 60 Hz (Starter Kit Required)

A.Y. McDonald Part No.	A.Y. McDonald Model No.	HP	Voltage	kw	Service Factor	AMP (in)	Downward Thrust	Cable length (ft).
3132-600	SM0833 40HP460V	40	460	30	1.15	61	13500	16
3132-601	SM0833 40HP575V		575	30	1.15		13500	16
3132-602	SM0833 50HP460V	50	460	37	1.15	74	13500	16
3132-603	SM0833 50HP575V		575	37	1.15		13500	16
3132-604	SM0833 60HP460V	60	460	45	1.15	88	13500	16
3132-605	SM0833 60HP575V		575	45	1.15		13500	16
3132-606	SM0833 75HP460V	75	460	55	1.15	107	13500	16
3132-607	SM0833 75HP575V		575	55	1.15		13500	16
3132-610	SM0833 100HP460V	100	460	75	1.15	143	13500	16
3132-611	SM0833 100HP575V		575	75	1.15		13500	16
3132-612	SM0833 125HP460V	125	460	92	1.15	175	13500	16
3132-613	SM0833 125HP575V		575	92	1.15		13500	16
3132-614	SM0833 150HP460V	150	460	110	1.15	210	13500	16
3132-615	SM0833 150HP575V		575	110	1.15		13500	16



These motors are built for dependable operation in 10" diameter or larger water wells.

10" Water Well - Three Wire DOL - Three Phase - 60 Hz (Starter Kit Required)

A.Y. McDonald Part No.	A.Y. McDonald Model No.	HP	Voltage	kw	Service Factor	AMP (in)	Downward Thrust	Cable length (ft).
3132-616	SM1033 100HP460V	100	460	75	1.15	146	13500	26
3132-617	SM1033 100HP575V		575	75	1.15		13500	26
3132-618	SM1033 125HP460V	125	460	92	1.15	181	13500	26
3132-619	SM1033 125HP575V		575	92	1.15		13500	26
3132-620	SM1033 150HP460V	150	460	110	1.15	213	13500	26
3132-621	SM1033 150HP575V		575	110	1.15		13500	26
3132-622	SM1033 180HP460V	180	460	132	1.15	252	13500	26
3132-623	SM1033 180HP575V		575	132	1.15		13500	26
3132-624	SM1033 200HP460V	200	460	147	1.15	290	13500	26
3132-625	SM1033 200HP575V		575	147	1.15		13500	26
3132-626	SM1033 230HP460V	230	460	170	1.15	338	13500	26
3132-627	SM1033 230HP575V		575	170	1.15		13500	26
3132-628	SM1033 260HP460V	260	460	190	1.15	386	13500	26
3132-629	SM1033 260HP575V		575	190	1.15		13500	26

Do not use motors in swimming areas

6", 8", & 10" Motors & Controls

6" A.Y. McDonald Submersible Motors

6" Asynchronous two-pole submersible motor, made in AISI 304 stainless steel and cast iron with paint coating for parts in contact with water. Cooling and lubrication of the thrust bearing assembly and carbon brushes is provided by a mixture of water and glycol. Squirrel-cage rotor mounted on self-centering thrust bearing. Stator housed in an airtight stainless steel casing (canned-type). Removable cable connector to allow fast and easy maintenance. Motor suitable for use with variable frequency drive (60 Hz). Overload protection must be provided by user.



6", 8", & 10" Motors & Controls

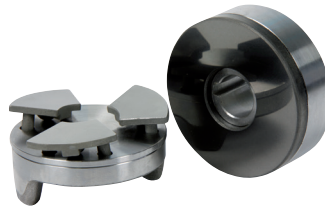
Technical Specification

Flange	NEMA 6"
Insulation class	F
Degree of protection	IP68
Cooling flow	1.0 ft/sec @ 95 °F
Voltage tolerance	+ 6% / -10%
Max starts	25/h
Max operating depth	984 ft
Horizontal operation	5 HP - 60 HP

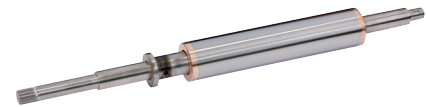
Components



Canned stator with external shell made in AISI 304L stainless steel and flanges with an anti-corrosion treatment. The stator has 24 slots for better elasticity and regularity of operation. Class F double insulated copper wire.

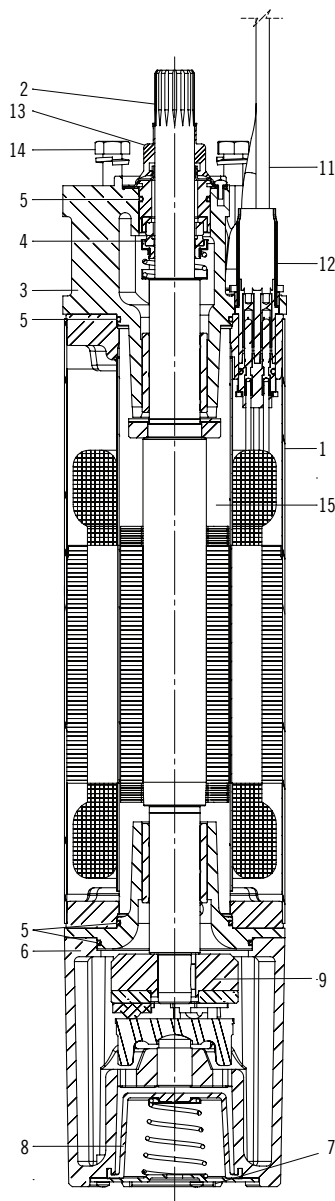


Kingsbury type thrust bearing unit consisting of tilting pads made of highly-resistant stainless steel and machined using the spherical lapping process.



Shafts with end part made of stainless steel "Duplex". Squirrel-cage rotor made in copper for all motor powers.

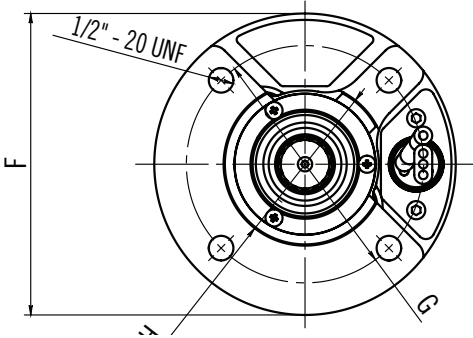
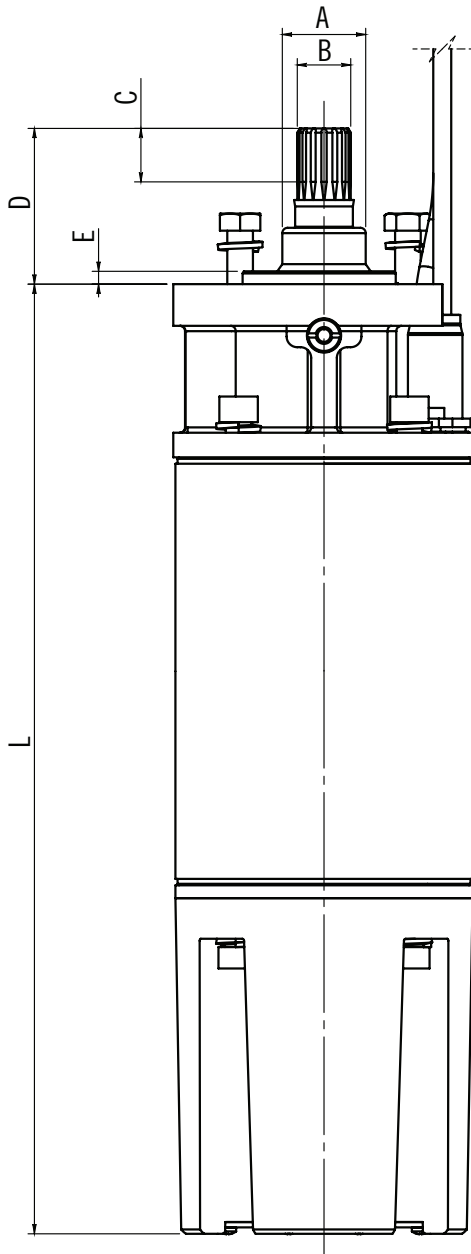
6" A.Y. McDonald Submersible Motors



Materials

COMPONENTS		
1	Int. and external sleeve	AISI 304L
2	Shaft end	Duplex
3	Upper bracket	Painted cast iron
4	Mechanical seal	Ceramic - carbon
5	Gasket	NBR
6	Lower bracket	Painted cast iron
7	Lower cover	AISI 304
8	Diaphragm	EPDM
9	Thrust bearing	Stainless steel - graphite
10	Valve	Brass
11	Cable	EPDM
12	Connecting plug	AISI 316
13	Sand guard (fixed-removable)	NBR
14	Bolts & screws	AISI 304
15	Cooling liquid	Glycol + water

6" A.Y. McDonald Submersible Motors



60 Hz Dimensions Single Phase Motors

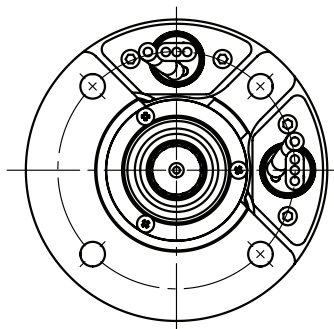
Type			L	Wt.	Axial Thrust
	[HP]	[kW]	[inch]	[lbs]	[lbf]
60 Hz	7 1/2	5.5	28.740	154.5	3600
	10	7.5	30.944	168	3600
	15	11	33.897	185.2	3600

60 Hz Dimensions Three Phase Motor

Type			L	Wt.	Axial Thrust
	[HP]	[kW]	[inch]	[lbs]	[lbf]
60 Hz	5	4	23.661	123.3	3600
	7 1/2	5.5	24.843	130.7	3600
	10	7.5	26.023	137.4	3600
	15	11	28.779	162.1	3600
	20	15	30.944	174.8	3600
	25	18.5	33.897	192.1	3600
	30	22	36.258	205.3	3600
	40	30	41.377	236.6	6000
	50	37	46.496	274.5	6000
	60	45	53.582	311.5	6000

60 Hz Dimensions

Pos.	inch	Pos.	inch
A	1.535	E	0.236
B	0.984	F	5.551
C	0.984	G	4.370
D	2.867	H	3.000



6" A.Y. McDonald Submersible Motors

Electrical Data 60 Hz Single Phase Motors

P2		V	SF	In	In (SF)	Is/In	P1	N	Cos φ	η	C [uF]		Ø	LC
[HP]	[kW]	[V]		[A]	[A]		[W]	[min ⁻¹]		%	Start	Run	[AWG]	[ft]
7 1/2	5.5	230	1.15	33.6	37.0	5.0	7400	3480	0.72	74	324-389	138	4x11	13
10	7.5	230	1.15	43.2	48.8	4.8	9900	3465	0.76	77	324-389	138	4x11	13
15	11	230	1.15	62.9	72.3	4.4	13400	3495	0.77	76	324-389	160	4x9	13

Electrical Data 60 Hz Three Phase Motors

P2		V	SF	In	In (SF)	Is/In	P1	N	Cos φ	η	Star*	Ø	LC
[HP]	[kW]	[V]		[A]	[A]		[W]	[min ⁻¹]		%		[AWG]	[ft]
5	4	230	1.15	18.5	20.0	5.1	5700	3450	0.77	70	Δ	4x11	13
		460	1.15	8.6	9.5	5.5	5700	3470	0.83	70	Y	4x11	13
		575	1.15	6.9	7.6	5.5	5700	3470	0.83	70	Y	4x11	13
7 1/2	5.5	230	1.15	24.0	26.6	5.0	7400	3480	0.77	74	Δ	4x11	13
		460	1.15	12.0	13.3	5.0	7400	3480	0.77	74	Y	4x11	13
		575	1.15	9.6	10.6	5.0	7400	3470	0.77	74	Y	4x11	13
10	7.5	230	1.15	34.0	37.0	4.8	9900	3465	0.73	76	Δ	4x11	13
		460	1.15	15.0	16.5	5.5	9900	3465	0.83	76	Y	4x11	13
		575	1.15	12.0	13.2	5.5	9900	3465	0.83	76	Y	4x11	13
15	11	230	1.15	50.0	54.0	4.4	13400	3495	0.67	82	Δ	4x9	13
		460	1.15	21.0	23.3	5.2	13400	3495	0.80	82	Y	4x11	13
		575	1.15	16.8	18.6	5.2	13400	3480	0.80	82	Y	4x11	13
20	15	230	1.15	63.0	68.0	4.8	18200	3475	0.73	82	Δ	4x9	13
		460	1.15	27.6	30.8	5.4	18200	3475	0.83	82	Y	4x11	13
		575	1.15	22.1	24.6	5.4	18200	3475	0.83	82	Y	4x11	13
25	18.5	230	1.15	73.4	80.0	5.7	22200	3475	0.76	83	Δ	4x8	13
		460	1.15	36.7	40.0	5.7	22200	3475	0.76	83	Y	4x9	13
		575	1.15	29.3	32.0	5.7	22200	3475	0.76	83	Y	4x9	13
30	22	230	1.15	95.0	105.0	5.5	26500	3480	0.70	83	Δ	4x8	13
		460	1.15	44.7	49.8	5.8	26500	3480	0.74	83	Y	4x9	13
		575	1.15	35.7	39.8	5.8	26500	3480	0.75	83	Y	4x9	13
40	30	460	1.15	54.0	62.0	6.3	35700	3480	0.83	84	Y	4x8	13
		575	1.15	43.2	49.6	6.3	35700	3480	0.83	84	Y	4x8	13
50	37	460	1.15	69.0	77.0	6.1	44800	3480	0.82	83	Y	4x8	13
		575	1.15	55.0	62.0	6.2	44800	3480	0.82	83	Y	4x8	13
60	45	460	1.15	82.0	92.0	6.5	53500	3450	0.83	84	Y	4x8	13

*Star-Delta (Δ) version 230/380V available

P2: Rated output
In: Rated current
Cs/Cn: Locked rotor Torque/Rated Torque
Cos φ: Power factor
Ø: Cable section

V: Rated voltage
In (SF): Service factor current
P1: Power consumption
η: Efficiency
LC: Cable length

SF: Service factor
Is/In: Locked rotor current/Rated current
N: R.P.M
C: Capacitor

8" A.Y. McDonald Submersible Motors

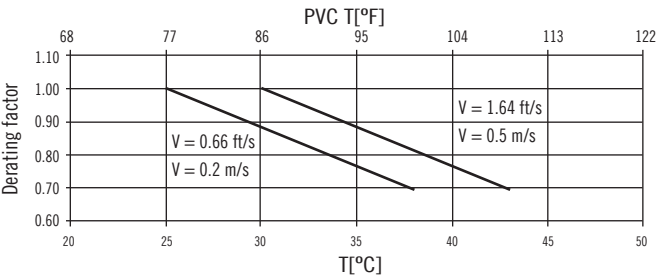
8" Asynchronous two-pole submersible motor, rewindable type, with external shell made in AISI 316 stainless steel and supports in cast iron with paint coating. Cooling and lubrication of the thrust bearing assembly and carbon bushes is provided by a mixture of water and glycol. Squirrel-cage rotor mounted on self-centering thrust bearing. Overload protection must be provided by user.

Four-pole submersible motors can be made available, contact factory for more information.



Technical Specification

Flange	NEMA 8"
Degree of protection	IP58 - (IP68) optional
Cooling flow	1.64 ft/sec
Voltage tolerance	+ 6% / -10%
Max starts	10/h
Max operating depth	984 ft
Max operating pressure	870 PSI
Horizontal operation	40 HP - 150 HP



For SMO8 (150 HP) the maximum liquid temperature is 9°F (5°C) lower than the values stated in the table above.

Components



The stator is rewindable type and it's inserted in an AISI 316 stainless steel outer shell. The windings are made in copper insulated by PVC.

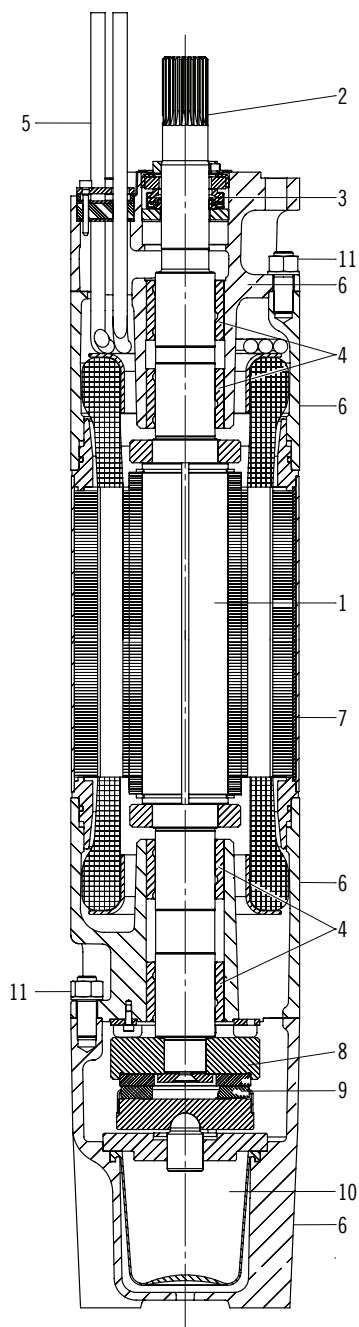


Mitchell type thrust bearing unit consisting of tilting pads in graphite and ceramic disc.



Shafts made of stainless steel with end part according to 8" NEMA norms. Squirrel-cage rotor made in copper. In the standard version the motor is equipped with a ceramic/carbon mechanical seal. On request it's available the silicon carbide (SiC/SiC) mechanical seal. On request the motor can be equipped also with a lip seal (granting the IP 68 insulation).

8" A.Y. McDonald Submersible Motors

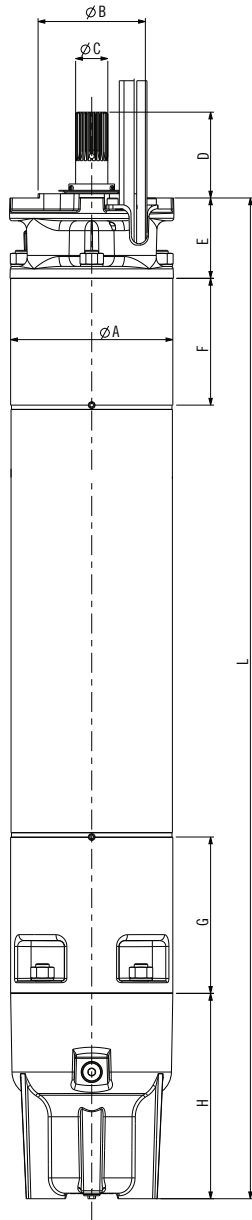


6", 8", & 10" Motors & Controls

Materials

COMPONENTS		
1	Shaft	Stainless Steel
2	Shaft End	Stainless Steel AISI 316
3	Mechanical Seal	Ceramic / Carbon
4	Bearing Ring	Graphite
5	Cable	EPDM
6	Structural Parts	Cast Iron
7	External Sleeve	Stainless Steel AISI 316
8	Thrust Bearing Rotating	Ceramic
9	Thrust Bearing Stationary	Graphite
10	Diaphragm	EPDM
11	Bolts & Screws	Stainless Steel AISI 304

8" A.Y. McDonald Submersible Motors

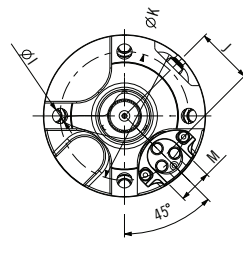


60 Hz Dimensions Single Phase Motors

Type	L		Wt.	Axial Thrust	
	[HP]	[kW]			[inch]
60 Hz	40	30	44	322	13500
	50	37	46	344	13500
	60	45	50	390	13500
	75	55	53	423	13500
	100	75	63	522	13500
	125	92	72	624	13500
	150	110	81	734	13500

60 Hz Dimensions

Pos.	inch	Pos.	inch
A	7.559	G	7.283
B	5	H	9.567
C	1 1/2	I	0.709
D	4	J	2.638
E	3.740	K	6.004
F	5.906	M	1.574



Electrical Data 60 Hz

Three Phase Motors / 2 Pole

P2		V*	SF	In (SF)	Is/In	P1	N	Cos φ	η	Ø	LC
[HP]	[kW]	[V]		[A]		[W]	[min ⁻¹]		%	{AWG}	[ft]
40	30	460	1.15	61	5.8	41566	3490	0.85	83	3x4+ 1 x4	16
50	37	460	1.15	74	5.5	50655	3490	0.85	84	3x4+ 1 x4	16
60	45	460	1.15	88	6.4	60174	3500	0.85	86	3x4+ 1 x4	16
75	55	460	1.15	107	5.8	73547	3500	0.86	86	3x4+ 1 x4	16
100	75	460	1.15	143	5.7	99138	3500	0.86	87	3x4+ 1 x4	16
125	92	460	1.15	175	6.0	121609	3480	0.87	87	3x4+ 1 x4	16
150	110	460	1.15	210	5.8	147093	3480	0.87	86	3x4+ 1 x4	16

P2: Rated output
In: Rated current
Cs/Cn: Locked rotor Torque/Rated Torque
Cos φ: Power factor
Ø: Cable section

V: Rated voltage
In (SF): Service factor current
P1: Power consumption
η: Efficiency
LC: Cable length

SF: Service factor
Is/In: Locked rotor current/Rated current
N: R.P.M
C: Capacitor

6", 8", & 10" Motors & Controls

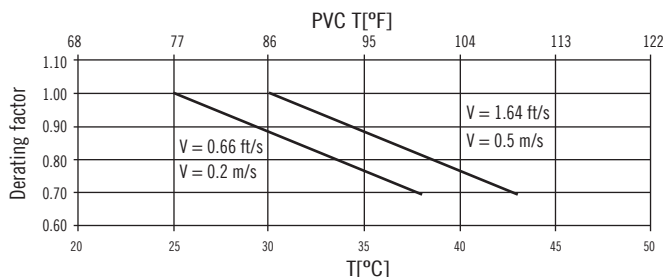
10" A.Y. McDonald Submersible Motors

10" Asynchronous two-pole submersible motor, rewindable type, with external shell made in AISI 316 stainless steel and supports in cast iron with paint coating (standard version). Cooling and lubrication of the thrust bearing assembly and carbon bushes is provided by a mixture of water and glycol. Squirrel-cage rotor mounted on self-centering thrust bearing. Overload protection must be provided by user.

Four-pole submersible motors can be made available, contact factory for more information.

Technical Specification

Flange	10"
Degree of protection	IP58 - (IP68) optional
Cooling flow	1.64 ft/sec
Voltage tolerance	+ 6% / -10%
Max starts	8/h
Max operating depth	984 ft
Max operating pressure	870 PSI
Horizontal operation	100 HP - 260 HP



For SM10 (230 HP) the maximum liquid temperature is 9°F (5°C) lower than the values stated in the table above.



6", 8", & 10" Motors & Controls

Components



The stator is rewindable type and it's inserted in an AISI 316 stainless steel outer shell. The windings are made in copper insulated by PVC (230 HP and 260 HP by PE2+PA).



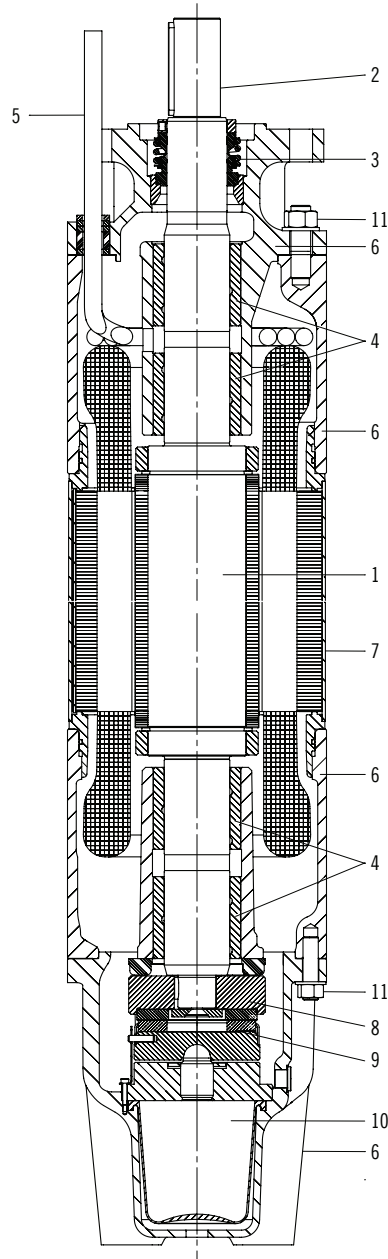
Mitchell type thrust bearing unit consisting of tilting pads in graphite and ceramic disc.



Shafts made of stainless steel with end part with key coupling. Squirrel-cage rotor made in copper. In the standard version the motor is equipped with a ceramic/carbon mechanical seal. On request it's available the silicon carbide (SiC/SiC) mechanical seal. On request the motor can be equipped also with a lip seal (granting the IP 68 insulation).

10" A.Y. McDonald Submersible Motors

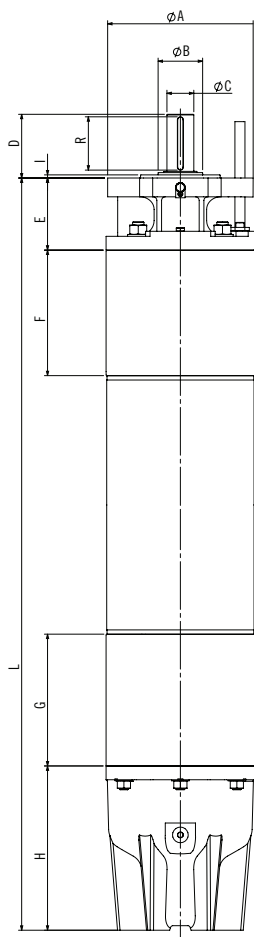
6", 8", & 10" Motors & Controls



Materials

COMPONENTS		
1	Shaft	Stainless Steel
2	Shaft End	Stainless Steel AISI 316
3	Mechanical Seal	Ceramic / Carbon
4	Bearing Ring	Stainless Steel / NBR
5	Cable	EPDM
6	Structural Parts	Cast Iron
7	External Sleeve	Stainless Steel AISI 316
8	Thrust Bearing Rotating	Ceramic
9	Thrust Bearing Stationary	Graphite
10	Diaphragm	EPDM
11	Bolts & Screws	Stainless Steel AISI 304

10" A.Y. McDonald Submersible Motors

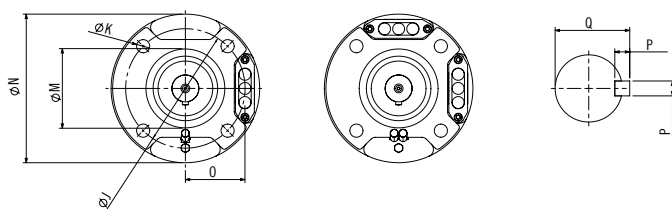


60 Hz Dimensions
Three Phase Motors

Type			L	Wt.	Axial Thrust
	[HP]	[kW]	[inch]	[lbs]	[lbf]
60 Hz	100	75	55	617	13500
	125	92	59	728	13500
	150	110	67	849	13500
	180	132	74	959	13500
	200	147	81	1102	13500
	230	170	87	1190	13500
	260	190	94	1279	13500

60 Hz Dimensions

Pos.	inch	Pos.	inch
A	9.134	J	7 1/2
B	2 4/5	K	4 x 0.827
C	1.687	M	5
D	4	N	9.331
E	4.528	O	3.74
F	7.874	P	0.375
G	8.268	Q	1.874
H	10.315	R	3.346
I	0.197		



6", 8", & 10" Motors & Controls

Electrical Data 60 Hz
Three Phase Motors / 2 Pole

P2	V*	SF	In (SF)	Is/In	P1	N	Cos φ	η	φ	LC
[HP]	[kW]	[V]	[A]		[W]	[min ⁻¹]		%	{AWG}	[ft]
100	75	460	146	5.7	99138	3510	0.84	87	3x0+1x3	26
125	92	460	181	5.5	121609	3510	0.83	87	3x0+1x3	26
150	110	460	213	5.8	143750	3510	0.84	88	3x0+1x3	26
180	132	460	252	5.7	172500	3510	0.85	88	3x0+1x3	26
200	147	460	290	6.2	194310	3520	0.82	87	3x0+1x3	26
230	170	460	338	5.9	224713	3520	0.82	87	3x0+1x3	26
260	190	460	386	6.1	251149	3520	0.79	87	3x0+1x3	26

- | | | |
|--|--|--|
| P2: Rated output | V: Rated voltage | SF: Service factor |
| In: Rated current | In (SF): Service factor current | Is/In: Locked rotor current/Rated current |
| Cs/Cn: Locked rotor Torque/Rated Torque | P1: Power consumption | N: R.P.M |
| Cos φ: Power factor | η: Efficiency | C: Capacitor |
| φ: Cable section | LC: Cable length | |

Three Phase Control Panels

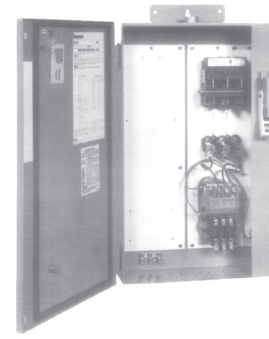
Siemens Pump Control Panels

Features:

- Three phase - 60 Cycle (Hz)
- Heavy Duty NEMA Starter
- ESP 100 Class 10 Overload
- Bold Pilot Legend On Front
- Generous Accessory Space

ESP 100 Features:

- Phase Loss Protection: Trips in 3 Seconds
- Self Powered Solid State Overload Relay
- Versatile Design with 2:1 Adjustment dial
- Ambient Insensitive



Prices do not include fuses.

Motor Rating		Size	Fuse Clip Size	Approx. Wt.	Without Submonitor		With Submonitor	
Max HP	Volts				Siemens Model No.	A.Y. McDonald Part No.	Siemens Model No.	A.Y. McDonald Part No.
3	230	1	30	55	87DUD6LC	6617-001	FS87DUD6LC	6201-197
5	230	1	30	55	87DUE6LC	6617-002	FS87DUD6LC	6201-197
7.5	230	1	30	55	87DUE6LC	6617-002	FS87DSE6FC	6201-198
10	230	1 3/4	60	55	87EUE6LC	6617-003	FS87EUE6LC	6201-199
15	230	2	60	55	87FUF6LC	6617-004	FS87FUF6LC	6201-200
20	230	2 1/2	100	90	87GUG6PC	6617-005	FS87GUG6PC	6201-201
25	230	3	100	90	87HUG6LC	6617-006	FS87HUG6LC	6201-202
30	230	3	100	90	87HUG6LC	6617-006	FS87HUG6LC	6201-203
5	460	1	30	55	87DUC6FC	6617-007	FS87DUD6FC	6201-204
7.5	460	1	30	55	87DUD6FC	6617-008	FS87DUD6FC	6201-205
10	460	1	30	55	87DUD6FC	6617-008	FS87DUD6FC	6201-206
15	460	1 3/4	30	55	87EUE6FC	6617-009	FS87EUE6FC	6201-207
20	460	2	60	55	87FUF6FC	6617-010	FS87FUF6FC	6201-208
25	460	2	60	55	87FUF6FC	6617-010	FS87FUF6FC	6201-209
30	460	2 1/2	60	90	87GUG6FC	6617-011	FS87GUG6FC	6201-210
40	460	3	100	90	87HUG6FC	6617-012	FS87HUG6FC	6201-211
50	460	3	100	90	87HUG6FC	6617-012	FS87HUG6FC	6201-212
60	460	3 1/2	200	90	87IUH6FC	6617-013	FS87IUH6FC	6201-213
75	460	3 1/2	200	90	87IUH6FC	6617-013	FS87IUH6FC	6201-214
100	460	4	200	170	87JUH6FC	6617-014	FS87JUH6FC	6201-215
125	460	5	400	350	87LPU6FH	6617-015	FS87LPU6FH	6201-216
150	460	5	400	350	87LPU6FH	6617-015	FS87LPU6FH	6201-217
200	460	5	400	350	87LPU6FH	6617-015	----	----

Deluxe Single Phase Control Boxes

- For use with 3-wire, single phase submersible motors 7 1/2 hp - 15 hp.
- Includes Magnetic Line Contactor, Capacitor Start and Capacitor Run.

A.Y. M ^o Donald Part No.	A.Y. M ^o Donald Model No.	HP	Voltage	HZ	KW
6619-001	SC0613 7.5HP230VD	7 1/2	230	60	
6619-002	SC0613 10HP230VD	10	230	60	
6619-003	SC0613 15HP230VD	15	230	60	



6", 8", & 10" Motors & Controls

Starter Kits

IEC Starter Kits for three phase motors

Each kit includes Nema 1 enclosure, contactor, and overload assembled with the correct voltage coil needed.

STARTER KITS WITH 230V COIL

A.Y. McDonald Part No.	HP	Volts	Wt.
3131-309	5	230	6
3131-310	7 1/2	230	6
3131-311	10	230	9
3131-312	15	230	9
3131-313	20	230	20
3131-314	25	230	20
3131-315	30	230	20

STARTER KITS WITH 460V COIL

A.Y. McDonald Part No.	HP	Volts	Wt.
3131-322	5	460	6
3131-323	7 1/2	460	6
3131-324	10	460	6
3131-325	15	460	6
3131-326	20	460	9
3131-327	25	460	9
3131-328	30	460	9
3131-329	40	460	9
3131-330	50	460	20
3131-331	60	460	20
3131-332	75	460	20





A.Y. McDonald Mfg. Co.

4800 Chavenelle Road

Dubuque, IA 52002

563.583.7311 | 800.292.2737 | aymcdonald.com