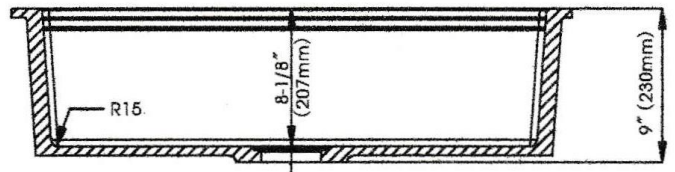
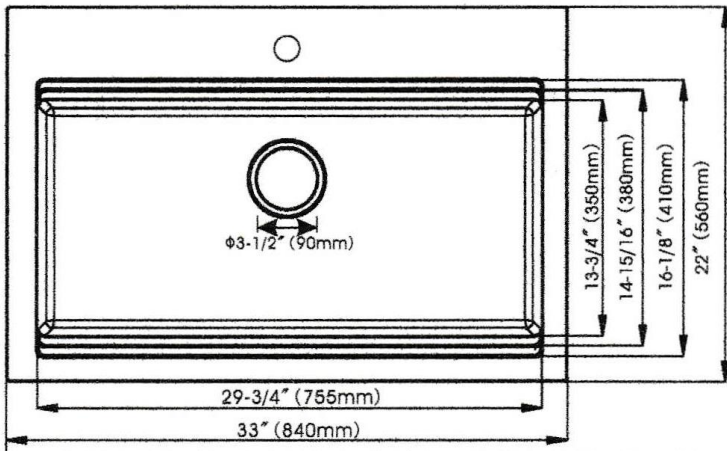


Model : I32-6983



Model : 132-6984



## GRANITE COMPOSITE KITCHEN SINK

cUPC Certified  
 Scratch, Stain & Chip Resistant  
 Colorfast Throughout

Top Mount or Undermount  
 (Clips included for both)  
 Paper Cut-out Template included

One Faucet Hole Predrilled, Additional 3 Pre-scored Faucet Holes for use with 2, 3 or 4 Hole Faucet styles!

38mm (1 1/2") Hole Saw Tool included for drilling additional faucet Holes