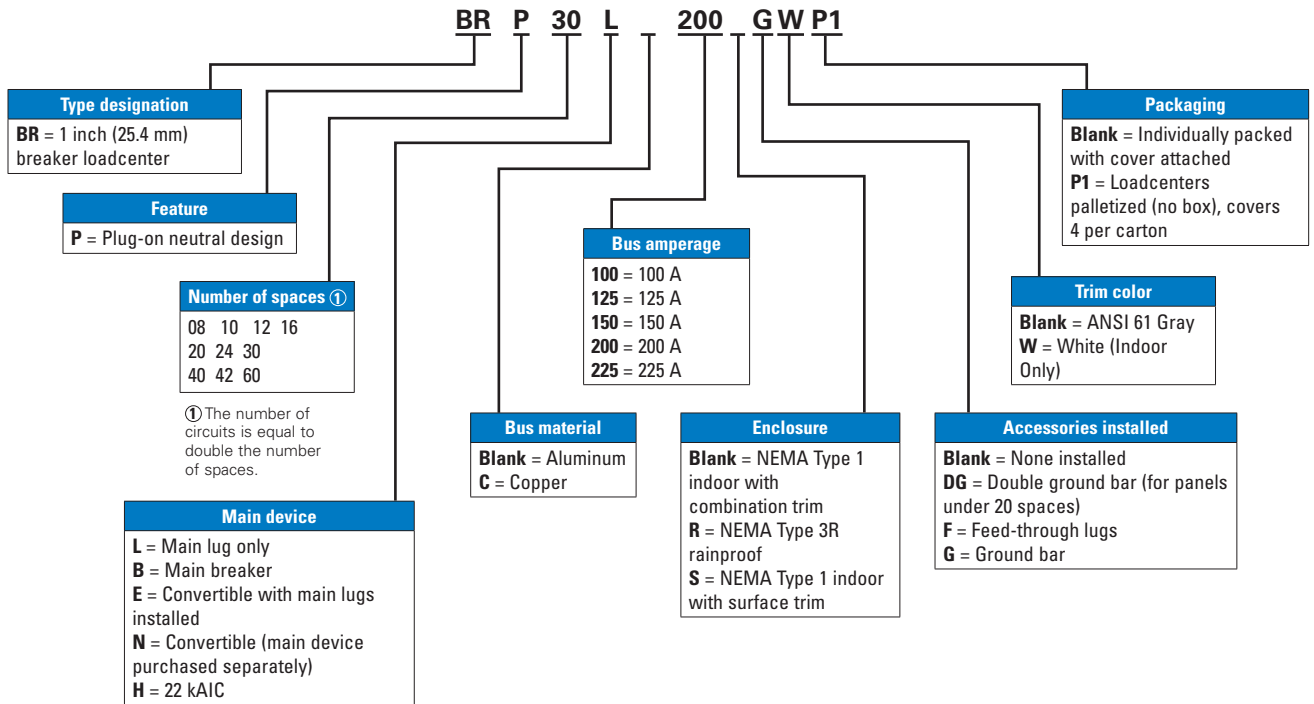
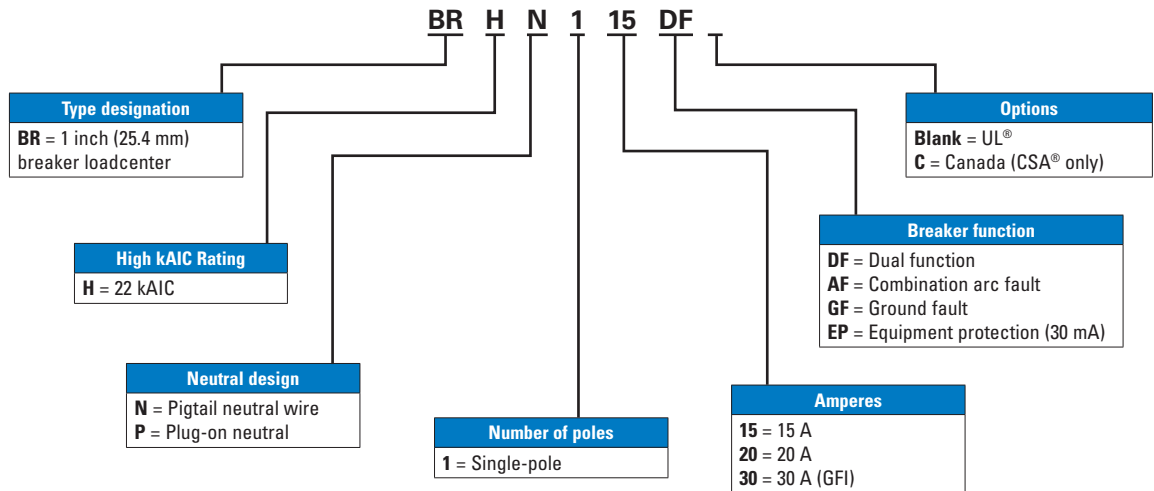


# Plug-On Neutral (PON) Offering

## BR plug-on neutral loadcenters

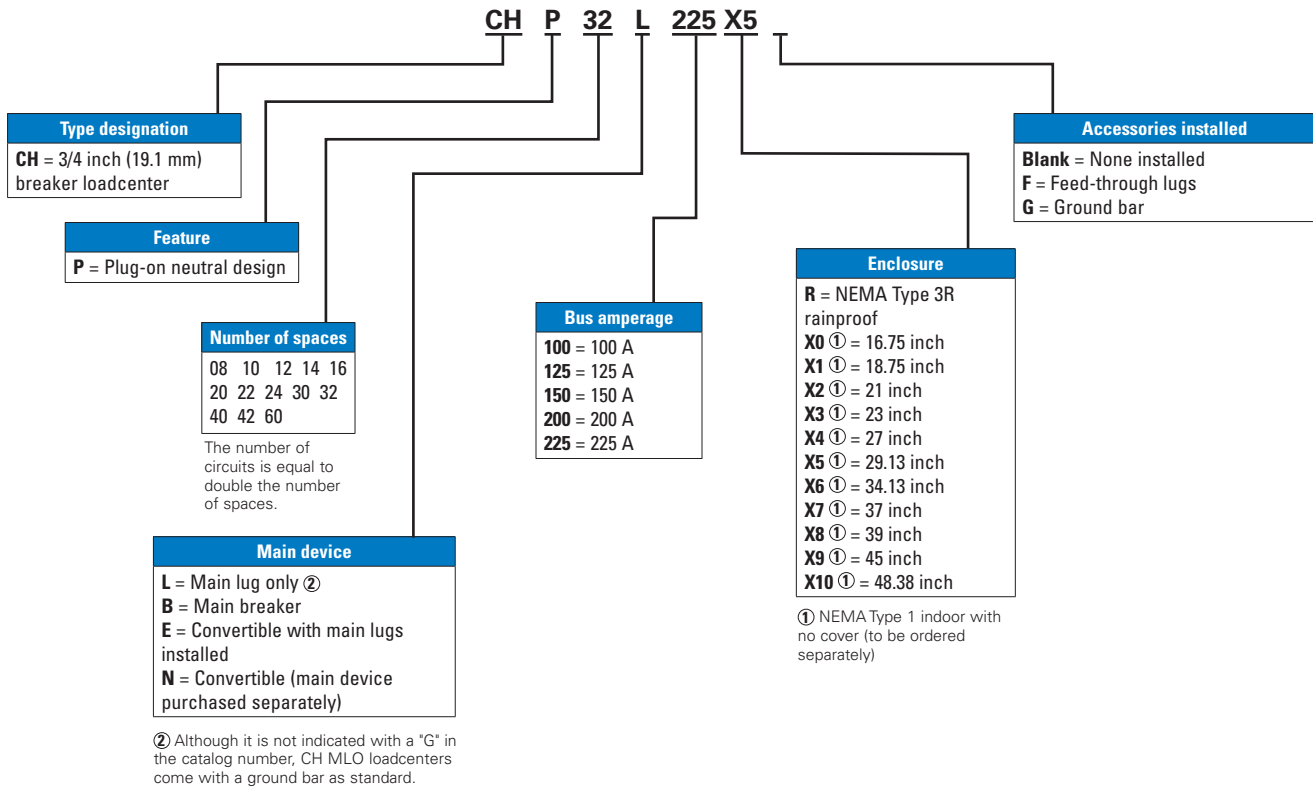


## BR Electronic circuit breakers

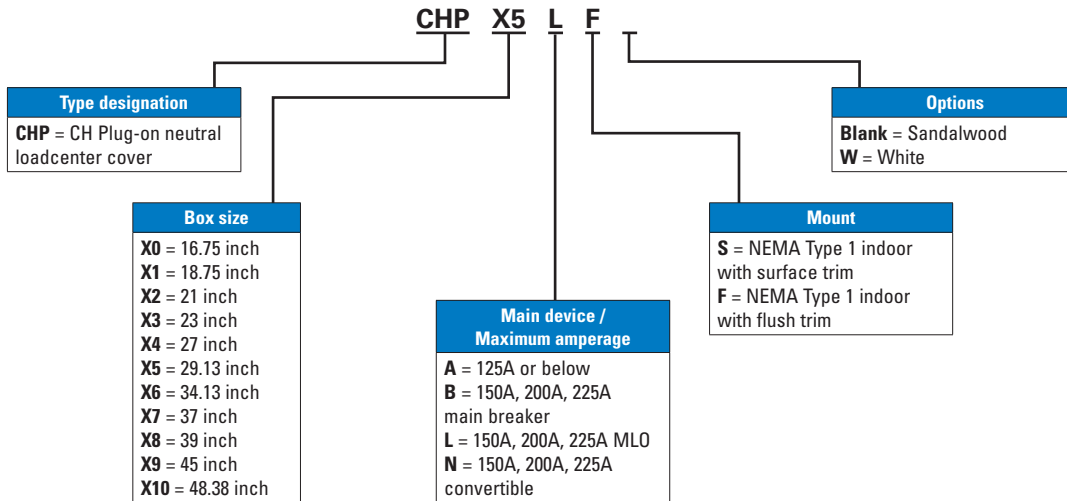


Powering Business Worldwide

## CH Plug-on neutral loadcenters



## CH Plug-on neutral loadcenter covers



## CH Loadcenter cover selector

Plug-On Neutral loadcenter catalog number	Flush cover	Surface cover	Flush cover UPC	Surface cover UPC
CHP12L125X0	CHPX0AF	CHPX0AS	786689162269	786689162276
CHP14B100X1	CHPX1AF	CHPX1AS	786689162290	786689162306
CHP16L125X1	CHPX1AF	CHPX1AS	786689162290	786689162306
CHP16L200X5	CHPX5LF	CHPX5LS	786689162375	786689162382
CHP18B100X2	CHPX2AF	CHPX2AS	786689162313	786689162320
CHP20L125X2	CHPX2AF	CHPX2AS	786689162313	786689162320
CHP22B100X2	CHPX2AF	CHPX2AS	786689162313	786689162320
CHP22B125X2	CHPX2AF	CHPX2AS	786689162313	786689162320
CHP22N125X2	CHPX2AF	CHPX2AS	786689162313	786689162320
CHP24B150X5	CHPX5BF	CHPX5BS	786689162351	786689162368
CHP24B200X5	CHPX5BF	CHPX5BS	786689162351	786689162368
CHP24L125X2	CHPX2AF	CHPX2AS	786689162313	786689162320
CHP24L150X5	CHPX5LF	CHPX5LS	786689162375	786689162382
CHP24L225X5	CHPX5LF	CHPX5LS	786689162375	786689162382
CHP30B100X5	CHPX5AF	CHPX5AS	786689162337	786689162344
CHP30B125X5	CHPX5AF	CHPX5AS	786689162337	786689162344
CHP32B150X6	CHPX6BF	CHPX6BS	786689162399	786689162405
CHP32B200X6	CHPX6BF	CHPX6BS	786689162399	786689162405
CHP32B225X6	CHPX6BF	CHPX6BS	786689162399	786689162405
CHP32E225X6	CHPX6NF	CHPX6NS	786689162429	786689162436
CHP32L150X5	CHPX5LF	CHPX5LS	786689162375	786689162382
CHP32L225X5	CHPX5LF	CHPX5LS	786689162375	786689162382
CHP32N225X6	CHPX6NF	CHPX6NS	786689162429	786689162436
CHP42B200X7	CHPX7BF	CHPX7BS	786689162443	786689162450
CHP42B225X7	CHPX7BF	CHPX7BS	786689162443	786689162450
CHP42E225X7	CHPX7NF	CHPX7NS	786689162467	786689162221
CHP42L225X6	CHPX6LF	CHPX6LS	786689162412	786689162474
CHP42N225X7	CHPX7NF	CHPX7NS	786689162467	786689162221
CHP60B200X9	CHPX9BF	CHPX9BS	786689162238	786689162245
CHP60B225X9	CHPX9BF	CHPX9BS	786689162238	786689162245
CHP60E225X9	CHPX9NF	CHPX9NS	786689162252	786689162283

# Catalog numbers available for sale

## BR Breakers

Product family	New plug-on neutral catalog number	New pigtail catalog number	New plug-on neutral catalog number UPC	New pigtail catalog number UPC	Similar previous designs
BR AFCI Breakers	BRP115AF	BRN115AF	786689041014	786689040888	BR115AF BR115CAFA BRACAF115 BRAAF115 BRC115AF BRC115CAFA BRCAF115 BRCAF115DVP BRCAF115QN BRCAF115RVP
	BRP120AF	BRN120AF	786689041021	786689040895	BR120AF BRACAF120 BRC120AF BRAAF120 BRC120CAF BRC120CAFA BRCAF120 BRCAF120DVP BRCAF120QN BRCAF120RVP
BR GFCI Breakers	BRP115GF	BRN115GF	786689031152	786689031282	GFTCB115
	BRP120GF	BRN120GF	786689031206	786689031336	GFCB120 GFTCB120
		BRN125GF		786689031381	GFTCB125
		BRN130GF		786689031435	GFCB130 GFTCB130
BR Dual Function Breakers	BRP115DF	BRN115DF	786670009191	786689059675	BRAFGF115 BRAFGF115QN
	BRP120DF	BRN120DF	786670009207	786689059699	BRAFGF120 BRAFGF120QN

## Pigtail only breakers

Product family	New pigtail catalog number	New pigtail catalog number UPC	Similar previous designs
<b>BR 22kAIC AFCI Breakers</b>	BRHN115AF	786689041076	BRHCAF115 BRLH115CAF
	BRHN120AF	786689041083	BRHCAF120 BRLH120CAF
<b>BR GFCI Breakers</b>	BRHN115GF	786689031466	GFTCBH115
	BRHN120GF	786689031244	GFTCBH120
	BRHN125GF	786689031251	GFTCBH125
	BRHN130GF	786689031268	GFTCBH130
<b>BR 30mA GFCI Breakers</b>	BRN115EP	786689031275	GFEP115
	BRN120EP	786689031329	GFEP120
	BRN125EP	786689031374	GFEP125
	BRN130EP	786689031428	GFEP130
<b>BR 22kAIC Dual Function Breakers</b>	BRHAFGF115	786670008910	BRLHAFGF115
	BRHAFGF120	786670008903	BRLHAFGF120
<b>Classified Breakers</b>	CLCAF115	786685514482	CL115CAF
	CLCAF120	786685514499	CL120CAF
	CLGF115	786689031503	CL115GFT
	CLGF120	786689031527	CL120GFT
	CLGF125	786689031534	CL125GFT
	CLGF130	786689031558	CL130GFT
<b>QB - Bolt-On Breakers</b>	QB1015CAF	786685514420	QBCAF1015
	QB1015EP	786679185988	QBGFEF1015
	QB1015GF	786680222481	QBGFT1015
	QB1020CAF	786685514437	QBCAF1020 QBCAF1020X68
	QB1020EP	786679185995	QBGFEF1020
	QB1020GF	786680222498	QBGFT1020
	QB1020GFX68	786680222436	QBGFT1020X68
	QB1025EP	786679186008	QBGFEF1025
	QB1025GF	786680222504	QBGFT1025
	QB1030EP	786679186015	QBGFEF1030
	QB1030GF	786680222429	QBGFT1030
	QBH1015CAF	786685514444	QBHCAF1015
	QBH1015EP	786679186022	QBHGFEP1015
	QBH1015GF	786680222443	QBHGF1015 QBHGFT1015
	QBH1020CAF	786685514451	QBHCAF1020 QBHCAF1020X68
	QBH1020EP	786679186039	QBHGFEP1020
	QBH1020GF	786680222450	QBHGF1020 QBHGFT1020
	QBH1025EP	786679186046	QBHGFEP1025
	QBH1025GF	786680222467	QBHGF1025
	QBH1030EP	786679186053	QBHGFEP1030
QBH1030GF	786680222474	QBHGF1030	

## Single-phase BR indoor main breaker loadcenters

Amperage rating	Space count	New plug-on neutral catalog number	New catalog number UPC	Similar previous designs
100	10	BRP10B100	786689054939	BR1020B100GK BR1020B100PK BR1020B100PKW BR816B100
100	12	BRP12B100	786689052935	BR1212B100 BR1220B100 BR1220B100GK BR1220B100PK BR1224B100GK
100	12	BRP12B100WP1	786689054465	BR1220B100PKW BR1224B100PKW
100	12	BRP12H100	786689052942	BR1220H100
100	16	BRP16B100	786689053079	BR1616B100 BR1620B100 BR1624B100 BR1624H100W
100	20	BRP20B100	786689053154	BR2020B100 BR2020B100DG BR2040B100
100	20	BRP20BC100	786689053185	BR2020BC100 BR2020BC100M
100	20	BRP20H100	786689053208	BR2024H100
100	20	BRP20HC100	786689053215	BR2020HC100
100	30	BRP30B100	786689054991	BR3030B100 BR3060BQN100
100	30	BRP30BC100	786689052829	BR3030BC100 BR3030BC100M
100	30	BRP30HC100	786689052867	BR3030HC100
125	16	BRP16B125	786689053086	BR1624B125
125	20	BRP20B125	786689053161	BR2024B125
125	30	BRP30B125	786689053390	BR3030B125

## Single-phase BR indoor main breaker loadcenters (cont.)

Amperage rating	Space count	Recommended new plug-on neutral catalog number	New catalog number UPC	Similar previous designs
125	30	BRP30BC125	786689052836	BR3030BC125
150	20	BRP20B150	786689053178	BR2030B150 BR2030H150 BR2040B150 BR2040B150BPW
150	24	BRP24B150	786689053338	BR2430B150
150	30	BRP30B150	786689053406	BR3030B150 BR3040B150 BR3040BF150 BR3060BQN150
150	16	BRP16B150	786689053093	BR1630B150 BR1630B150GK BR1630B150PK BR1630B150PKW
150	30	BRP30BC150	786689052843	BR3030BC150
150	30	BRP30BC150P2	786689054502	BR3030BC150B
200	16	BRP16B200	786689053109	BR1632B200 BR1632B200GK BR1632B200PK BR1632B200PKW
200	20	BRP20BC200	786689053192	BR2040BC200
200	20	BRP20B200	786689054977	BR2040B200 BR2040B200GK BR2040B200PK BR2040H200
200	20	BRP20B200WP1	786689054472	BR2040B200PKW
200	24	BRP24B200	786689053345	BR2440B200 BR2440N200
200	30	BRP30B200	786689044060	BR3040B200 BR3040B200BP BR3040B200DG BR3040H200 BR3060BQN200
200	30	BRP30B200G	786689052812	BR3040B200G
200	30	BRP30BC200	786689052850	BR3040BC200 BR3040HC200
200	40	BRP40B200	786689044053	BR4040B200 BR4040B200BP BR4040B200DG BR4040H200 BR4050B200 BR4050B200BPW BR4080BQN200
200	40	BRP40B200WP1	786689054533	BR4040B200PW
200	40	BRP40BC200	786689052973	BR4040BC200 BR4040HC200
200	60	BRP60B200	786689053062	BR60120B200
225	42	BRP42BC225	786689055035	BR4242B225

## Single-phase BR indoor main lug only loadcenters

Amperage rating	Space count	Recommended new plug-on neutral catalog number	New catalog number UPC	Similar previous designs
125	12	BRP12L125	786689052959	BR1212L125 BR1224L125
125	12	BRP12L125DG	786689054946	BR1224L125DG
125	12	BRP12L125G	786689053000	BR1224L125G
125	16	BRP16L125	786689053116	BR1616L125 BR1624L125
125	16	BRP16L125G	786689053123	BR1624L125G BR1624L125GBP
125	20	BRP20L125	786689053222	BR2020L125 BR2024L125
125	20	BRP20L125G	786689053239	BR2024L125G
125	24	BRP24L125	786689053352	BR2424L125 BR2424L125B
125	24	BRP24L125G	786689053369	BR2424L125G BR2430L125G BR2430L125GBP BR2448LQN125G
125	24	BRP24L125GP1	786689054489	BR2424L125GBP
125	24	BRP24L125GW	786689054984	BR2430L125GW
125	24	BRP24L125GWP1	786689054496	BR2424L125GBPWP BR2430L125GWBP
125	30	BRP30L125	786689052874	BR3042L125 BR3060LQN125G
150	16	BRP16L150	786689053130	BR1630L150 BR1630L150G
150	20	BRP20L150	786689053246	BR2030L150 BR2030L150B
150	20	BRP20L150G	786689053253	BR2030L150G
200	20	BRP20L200	786689053260	BR2040L200
200	20	BRP20L200G	786689053277	BR2040L200G
200	24	BRP24L200	786689053383	BR2440L200 BR2440L200G
200	30	BRP30L200	786689052881	BR3040L200 BR3040L200B BR3040L200GB
200	30	BRP30L200G	786689044084	BR3040L200G BR3060LQN200G
200	30	BRP30L200GP1	786689054540	BR3040L200GBP BR3060LQN200GBP
200	30	BRP30L200GW	786689052904	BR3040L200GW
200	30	BRP30L200GWP1	786689054519	BR3040L200GWBP
200	40	BRP40L200	786689052980	BR4040L200 BR4040L200GWBP
200	40	BRP40L200G	786689052997	BR4040L200G BR4040L200GW BR4080LQN200G
225	42	BRP42LC225	786689055042	BR4242L225
225	42	BRP42LC225G	786689055059	BR4242L225G



## Single-phase BR indoor convertible loadcenters

Amperage rating	Space count	Recommended new plug-on neutral catalog number	New catalog number UPC	Similar previous designs
125	12	BRP12N125	786689053017	BR1224N125
125	12	BRP12N125G	786689054953	BR1224N125G
125	12	BRP12NC125	786689053031	BR1224NC125
125	16	BRP16N125	786689054960	BR1624N125
125	20	BRP20NC125	786689053314	BR2024NC125
125	20	BRP20N125	786689053284	BR2024N125 BR2024N125BP
200	12	BRP12N200	786689053024	BR1224N200
200	16	BRP16N200	786689053147	BR1632N200 BR1632N200G
200	20	BRP20N200	786689053291	BR2040N200
200	20	BRP20N200G	786689053307	BR2040N200G
200	20	BRP20NC200	786689053321	BR2040NC200
200	30	BRP30E200G	786689055004	BR3040NL200G BR3060NLQN200G
200	30	BRP30EC200GP2	786689054526	BR3040NLC200BG
200	30	BRP30N200	786689052911	BR3040N200 BR3060NQN200
200	30	BRP30N200G	786689052928	BR3040N200G
200	30	BRP30NC200	786689052966	BR3040NC200 BR3040NC200B
200	40	BRP40E200G	786689055028	BR4040NL200G BR4080NLQN200G
200	40	BRP40N200	786689044077	BR4040N200 BR4050N200 BR4080NQN200
200	40	BRP40N200G	786689053048	BR4040N200G
200	40	BRP40NC200	786689053055	BR4040NC200
200	60	BRP60E200	786689055066	BR60120NL200W BR60120NL200

## Current CH breakers available

Continue to place all CH breaker orders on the below catalog numbers until further notice.

Product Family	Current plug-on neutral catalog number	Current pigtail catalog number	Current plug-on neutral catalog number UPC	Current pigtail catalog number UPC
<b>CH AFCI Breakers</b>	CHFCAF115PN	CHFCAF115	786685546193	786685546179
	CHFCAF120PN	CHFCAF120	786685546209	786685546186
<b>CH GFCI Breakers</b>	CHFGFT115PN	CHFGFT115	786680117534	786680117503
	CHFGFT120PN	CHFGFT120	786680117541	786680117510
	-	CHFEP115	-	786685627953
	-	CHFEP120	-	786685627977
	-	CHFEP125	-	786685627991
	CHFGFT125PN	CHFGFT125	786680117596	786680117589
	-	CHFEP130	-	786685628011
	CHFGFT130PN	CHFGFT130	786680117602	786680117527
<b>CH Dual Function Breakers</b>	CHFAFGF115PN	CHFAFGF115	786670007838	786670007814
	CHFAFGF120PN	CHFAFGF120	786670007845	786670007821

## Single-phase CH indoor main breaker loadcenters

Amperage rating	Space count	Recommended new plug-on neutral catalog number	New catalog number UPC	Similar previous designs
100	14	CHP14B100X1	786689055134	CH14B100B
100	18	CHP18B100X2	786679189481	CH18B100C
100	22	CHP22B100X2	786679189559	CH22B100C CH22B100CRN CH24BPN100E
100	30	CHP30B100X5	786679189597	CH30B100D
125	22	CHP22B125X2	786689055158	CH22B125C
125	30	CHP30B125X5	786679189603	CH30B125D
150	24	CHP24B150X5	786679189573	CH24B150E CH24B150EFT
150	32	CHP32B150X6	786689055165	CH32B150J CH32B150JFT CH32B150JRN CH32BPN150J
200	24	CHP24B200X5	786679189580	CH24B200E
200	32	CHP32B200X6	786689055172	CH32B200JP CH32B200J CH32B200JRN CH32BPN200J
200	42	CHP42B200X7	786679189641	CH42B200K CH42B200KRN CH42BPN200K CH42NB200K
200	60	CHP60B200X9	786679189665	CH60BPN200N
225	42	CHP42B225X7	786679189658	CH42B225K
225	60	CHP60B225X9	786679189672	CH60BPN225N

## Single-phase CH indoor main lug only loadcenters

Amperage rating	Space count	Recommended new plug-on neutral catalog number	New catalog number UPC	Similar previous designs
125	12	CHP12L125X0	786689054267	CH12L125B
125	16	CHP16L125X1	786689059705	CH16L125BFT CH16L125INT CH16L125B
125	20	CHP20L125X2	786689054250	CH20L125C CH20L125CFT
125	24	CHP24L125X2	786689054311	CH24L125C CH24L125C1N CH24L125CRN
150	24	CHP24L150X5	786689054274	CH24L150D
150	32	CHP32L150X5	786689054298	CH32L150D CH32L150DFT
200	16	CHP16L200X5	786689054243	CH16L200D
225	24	CHP24L225X5	786689054281	CH24L225D
225	32	CHP32L225X5	786689054304	CH32L225D
225	42	CHP42L225X6	786689055202	CH42L225G

## Single-Phase CH Indoor convertible loadcenters

Amperage rating	Space count	Recommended new plug-on neutral catalog number	New catalog number UPC	Similar previous designs
125	22	CHP22N125X2	786679189726	CH22N125C CH22NL125C CH24NLPN125E
225	32	CHP32E225X6	786689055189	CH32NL225J CH32NLPN225J
225	32	CHP32N225X6	786689055196	CH32N200J
225	42	CHP42E225X7	786679189740	CH42NL225K CH42NL225KH CH42NLPN225K
225	42	CHP42N225X7	786679189689	CH42N225K
225	60	CHP60E225X9	786679189696	CH60NLPN225N

## Accessories for plug-on neutral loadcenters

New catalog number	Description	New catalog number UPC	Similar Accessories for Non-Plug-on Neutral Loadcenters*
<b>GBKA</b>	GROUND BAR ADAPTER KIT TO INSTALL LEGACY GROUND BAR IN PON LC	786689166397	New kit
<b>GBKP5</b>	5 TERMINAL GROUND BAR KIT	786689053802	GBK5
<b>GBKP5P</b>	5 TERMINAL GROUND BAR (INDIVIDUALLY PACKAGED)	786689053840	GBK5P
<b>GBKP520</b>	GROUND BAR KIT - 5 TERMINAL + (1) 2/0 LUG	786689053819	GBK520
<b>GBKP10</b>	10 TERMINAL GROUND BAR KIT	786689054014	GBK10
<b>GBKP10P</b>	10 TERMINAL GROUND BAR (INDIVIDUALLY PACKAGED)	786689053635	GBK10P
<b>GBKP1020</b>	GROUND BAR KIT - 10 TERMINAL + (1) 2/0 LUG	786689054021	GBK1020
<b>GBKP14</b>	14 TERMINAL GROUND BAR KIT	786689053697	GBK14
<b>GBKP14P</b>	14 TERMINAL GROUND BAR (INDIVIDUALLY PACKAGED)	786689053734	GBK14P
<b>GBKP1420</b>	GROUND BAR KIT - 14 TERMINAL + (1) 2/0 LUG	786689053703	GBK1420
<b>GBKP21</b>	21 TERMINAL GROUND BAR KIT	786689053765	GBK21
<b>GBKP21P</b>	GROUND BAR KIT (CONSUMER)	786689053796	GBK21P
<b>GBKP2120</b>	GROUND BAR KIT - 21 TERMINAL + (1) 2/0 LUG	786689053772	GBK2120
<b>BRPHD</b>	HOLD DOWN KIT FOR 2 POLE BR BRKR	786689053864	BREQS125
<b>BRPHD</b>	HOLD DOWN KIT FOR 2 POLE BR BRKR	786689053864	BRHDB
<b>BRPHD</b>	HOLD DOWN KIT FOR 2 POLE BR BRKR	786689053864	BRHDK125
<b>CHPHD</b>	HOLD DOWN KIT FOR 2 POLE CH BRKR	786689053895	CH125RB
<b>CHSF2125</b>	SUB FEED LUG BLOCK 125A 2 POLE TYPE CH 1/0 MAX WIRE SIZE	782113099132	CHL125N
<b>BRPL200</b>	MAIN LUG KIT - 200A BR	786689053666	BRL200
<b>CSRFPG</b>	FILLER PLATE 200A CSR MAIN (GRAY)	786689054007	BWFP
<b>CHPL225</b>	225A MAIN LUG KIT FOR CH PON CONVERTIBLE LC #4-300KCMIL	786689056575	CHL225N
<b>CSRFPS</b>	CSR MAIN BREAKER FILLER PLATE	786689053994	New kit
<b>BRPMIKCSR</b>	BR MECHANICAL INTERLOCK CSR	786689053932	BRMIKCSR
<b>BRPMIKSRP</b>	BR MECHANICAL INTERLOCK CSR	786689053949	BRMIKSRBP
<b>BRPMIKBR</b>	BR MECHANICAL INTERLOCK BACKFED	786689053918	BRMIKBR
<b>BRPMIKBRP</b>	BR MECHANICAL INTERLOCK BACKFED	786689053925	BRMIKBRBP
<b>CHPMIKCSR</b>	CH MECHANICAL INTERLOCK CSR MAIN 225A AND BELOW (TOP POSITION)	786689053963	New kit
<b>CHPMIKCH</b>	CH MECHANICAL INTERLOCK BACKFED MAINS 125A AND BELOW (SIDE-BY-SIDE)	786689053956	New kit
<b>NLP20</b>	2/0 BONDING LUG REPLACEMENT	786689053741	New kit
<b>NLP300</b>	300 MCM BONDING LUG REPLACEMENT	786689053758	New kit
<b>BONDKITP</b>	BONDING KIT (SCREW AND INSTRUCTIONS)	786689053987	BSCHPON
<b>BONDKITP</b>	BONDING KIT (SCREW AND INSTRUCTIONS)	786689053987	CHBONDST
<b>BONDKITP</b>	BONDING KIT (SCREW AND INSTRUCTIONS)	786689053987	BSSUSE
<b>LATCHPW</b>	LATCH, INDOOR WHITE	786689056568	52-3125-6
<b>LATCHPS</b>	LATCH FOR CH LOADCENTERS	786689056551	CHRLS
<b>LATCHPG</b>	LATCH, INDOOR GRAY	786689056544	BRRL

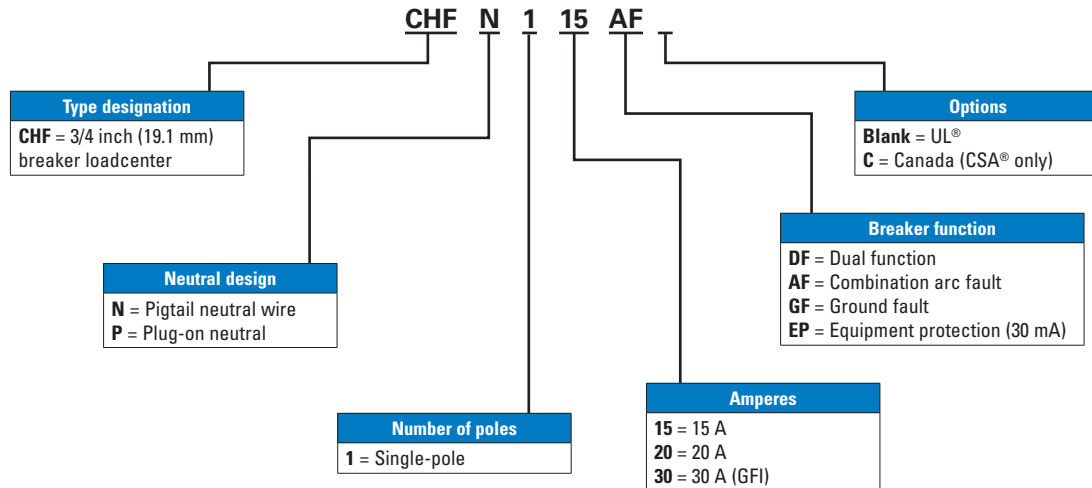
**Note:** Not obsoleting the current accessories as those will still be needed for non-plug-on neutral loadcenters.

The legacy ground bars can be used in the new PON loadcenters by using the GBKA adapter kit or by drilling a hole. Please ask your local sales representative for the letter providing additional information on this drill hole process.

# Catalog numbers still to come - not yet released for sale

Continue to order the legacy catalog numbers for all the products shown below.  
Do not order the new catalog numbers as they are not available for sale.

## CHF Electronic circuit breakers\*



**Note:** \*The CH electronic breaker catalog numbers are not changing until end of 2019. In the meantime, the current CH pigtail and PON breaker catalog numbers can be purchased.

## CH Breakers\*

Product family	New plug-on neutral catalog number	New pigtail catalog number	New plug-on neutral catalog number UPC	New pigtail catalog number UPC	Similar previous designs
<b>CH AFCI Breakers</b>	CHFP115AF	CHFN115AF	786689058920	786689058814	CH115CAFA CHFCFA115 CHFCFA115DVP <b>CHFCFA115PN</b> CHFCFA115RVP
	CHFP120AF	CHFN120AF	786689058951	786689058845	CH120AF CH120CAFA CHFCFA120 CHFCFA120DVP <b>CHFCFA120PN</b> CHFCFA120RVP
<b>CH GFCI Breakers</b>	CHFP115GF	CHFN115GF	786689058944	786689058838	CHFGFT115 <b>CHFGFT115PN</b>
	CHFP120GF	CHFN120GF	786689058975	786689058876	CHFGFT120 <b>CHFGFT120PN</b>
	-	CHFN115EP	-	786689058821	CHFEP115
	-	CHFN120EP	-	786689058869	CHFEP120
	-	CHFN125EP	-	786689058883	CHFEP125
	-	CHFN125GF	-	786689058890	CHFGFT125 CHFGFT125CS <b>CHFGFT125PN</b>
	-	CHFN130EP	-	786689058906	CHFEP130
	-	CHFN130GF	-	786689058913	CHFGFT130 CHFGFT130CS <b>CHFGFT130PN</b>
<b>CH Dual Function Breakers</b>	CHFP115DF	CHFN115DF	786689058937	786689058807	CHFAFGF115 <b>CHFAFGF115PN</b>
	CHFP120DF	CHFN120DF	786689058968	786689058852	<b>CHFAFGF120PN</b> CHFAFGF120

**Note:** \*All new CH electronic breaker catalog numbers (both pigtail and plug-on neutral) will not take effect until end of 2019. In the meantime, the current style CH plug-on neutral breakers (highlighted above) can be used in the new CH plug-on neutral loadcenters.

# Catalog numbers still to come - not yet released for sale

Continue to order the legacy catalog numbers for all the products shown below. Do not order the new catalog numbers as they are not available for sale.

## CH 2-Pole breakers

Product family	Current CH 2-pole catalog number (doesn't fit in CH PON loadcenters)	Future CH 2-pole catalog number	Future CH 2-pole UPC
CH AFCI Breakers	CH215CAF	CHN215CAF	786689217143
	CH220CAF	CHN220CAF	786689217150
CH GFCI Breakers	CH215GFT	CHN215GF	786689217211
	CH220GFT	CHN220GF	786689217228
	CH225GFT	CHN225GF	786689217235
	CH230GFT	CHN230GF	786689217242
	CH235GFT	CHN235GF	786689217259
	CH240GFT	CHN240GF	786689217266
	CH245GFT	CHN245GF	786689217273
	CH250GFT	CHN250GF	786689217280
CH Surge Breakers	CH260GFT	CHN260GF	786689217297
	CH230SUR	CHN230SUR	786689217174
	CH240SUR	CHN240SUR	786689217181
	CH250SUR	CHN250SUR	786689217198

## Single-Phase BR Outdoor main breaker loadcenters

Amperage rating	Space count	Recommended new plug-on neutral catalog number	New catalog number UPC	Similar previous designs
100	10	BRP10B100RF	786689059132	BR1020B100RF
100	12	BRP12B100R	786689059149	BR1224B100R
100	16	BRP16B100R	786689059194	BR1624B100R
100	20	BRP20B100R	786689059231	BR2020B100RN BR2024B100R
125	20	BRP20B125R	786689059262	BR2024B125R
150	8	BRP08B150RF	786689059095	BR816B150RF
150	20	BRP20B150R	786689059248	BR2030B150R BR2040B150R
150	30	BRP30B150R	786689059361	BR3030B150R
200	8	BRP08B200RF	786689059101	BR816B200RF
200	20	BRP20B200R	786689059255	BR2040B200R
200	30	BRP30B200R	786689059347	BR3040B200R BR3060BQN200R
200	40	BRP40B200R	786689059408	BR4040B200R BR4080BQN200R
200	60	BRP60B200R	786689059088	BR60120B200R

## Single-Phase BR Outdoor main lug only loadcenters

Amperage rating	Space count	Recommended new plug-on neutral catalog number	New catalog number UPC	Similar previous designs
125	12	BRP12L125R	786689059156	BR1224L125R BR1224L125RG
125	16	BRP16L125R	786689059200	BR1624L125R
125	20	BRP20L125R	786689059279	BR2024L125R BR2024L125RG BR2040LQN125RG
200	12	BRP12L200R	786689059163	BR1224L200R
200	20	BRP20L200R	786689059286	BR2040L200R BR2040L200RG
200	30	BRP30L200R	786689059354	BR3040L200R BR3060LQN200RG
200	40	BRP40L200R	786689059040	BR4040L200R BR4040L200RG BR4242L225R

# Catalog numbers still to come - not yet released for sale

Continue to order the legacy catalog numbers for all the products shown below.  
Do not order the new catalog numbers as they are not available for sale.

## Single-Phase BR Outdoor convertible loadcenters

Amperage rating	Space count	Recommended new plug-on neutral catalog number	New catalog number UPC	Similar previous designs
125	12	BRP12N125R	786689059170	BR1224N125R BR1224N125RG
125	12	BRP12NC125R	786689059217	BR1224NC125R
125	16	BRP16N125R	786689059224	BR1624N125R
125	20	BRP20N125R	786689059316	BR2024N125R
125	20	BRP20NC125R	786689059323	BR2024NC125R
200	8	BRP08E200RF	786689059804	BR816L200RF BR816N200RF
200	12	BRP12N200R	786689059187	BR1224N200R
200	20	BRP20N200R	786689059293	BR2040N200R
200	20	BRP20N200RG	786689059309	BR2040N200RG
200	20	BRP20NC200R	786689059330	BR2040NC200R
200	30	BRP30N200R	786689059378	BR3040N200R BR3060NQN200R
200	30	BRP30N200RG	786689059385	BR3040N200RG
200	30	BRP30NC200R	786689059392	BR3040NC200R
200	40	BRP40N200R	786689059057	BR4040N200R BR4050N200R BR4080NQN200R
200	40	BRP40N200RG	786689059064	BR4040N200RG
200	40	BRP40NC200R	786689059071	BR4040NC200R

# Catalog numbers still to come - not yet released for sale

Continue to order the legacy catalog numbers for all the products shown below.  
Do not order the new catalog numbers as they are not available for sale.

## Single-Phase CH Outdoor main breaker loadcenters

Amperage rating	Space count	Recommended new plug-on neutral catalog number	New catalog number UPC	Similar previous designs
100	14	CHP14B100R	786689058517	CH14B100R
100	18	CHP18B100R	786689058548	CH18B100R
100	22	CHP22B100R	786689058562	CH22B100R
100	30	CHP30B100R	786689058647	CH30B100R
125	22	CHP22B125R	786689058579	CH22B125R
125	30	CHP30B125R	786689058654	CH30B125R
150	24	CHP24B150R	786689058593	CH24B150R
150	32	CHP32B150R	786689058661	CH32B150R
200	8	CHP08B200RF	786689058470	CH8B200RFP CH8B200RF
200	24	CHP24B200R	786689058609	CH24B200R
200	32	CHP32B200R	786689058678	CH32B200R
200	42	CHP42B200R	786689058715	CH42B200R
225	32	CHP32B225R	786689058685	CH32B225R
225	42	CHP42B225R	786689058722	CH42B225R

## Single-Phase CH Outdoor main lug only loadcenters

Amperage rating	Space count	Recommended new plug-on neutral catalog number	New catalog number UPC	Similar previous designs
125	12	CHP12L125R	786689058494	CH12L125R CH12L125RP
125	16	CHP16L125R	786689058524	CH16L125R
125	20	CHP20L125R	786689058555	CH20L125R
125	24	CHP24L125R	786689058616	CH24L125R CH24L125RP
150	24	CHP24L150R	786689058623	CH24L150R
150	32	CHP32L150R	786689058692	CH32L150R
200	12	CHP12L200R	786689058500	CH12L200R
200	16	CHP16L200R	786689058531	CH16L200R
225	24	CHP24L225R	786689058630	CH24L225R
225	32	CHP32L225R	786689058708	CH32L225R CH32L225RP
225	42	CHP42L225R	786689058739	CH42L225R

# Catalog numbers still to come - not yet released for sale

Continue to order the legacy catalog numbers for all the products shown below.  
Do not order the new catalog numbers as they are not available for sale.

## Single-Phase CH Outdoor convertible loadcenters

Amperage rating	Space count	Recommended new plug-on neutral catalog number	New catalog number UPC	Similar previous designs
125	22	CHP22N125R	786689058586	CH22N125R
200	8	CHP08N200RF	786689058487	CH8N200RF
200	32	CHP32N200R	786689059637	CH32N200R
225	42	CHP42N225R	786689058746	CH42N225R CH42NPN225R

## Accessories for plug-on neutral loadcenters

New catalog number	Description	New catalog number UPC	Similar Accessories for Non-Plug-on Neutral Loadcenters*
BRPSF225	225A/2P SUBFEED LUG BLOCK -#2-300KCMIL	786689056599	BRS225
CHPSF225	225A / 2 POLE MAIN OR SUBFEED LUG BLOCK / 2-1" SPACES / #2-300KCMIL	786689056582	New kit
BRPHDBJ	HOLD DOWN SCREW FOR 2 POLE TYPE BJ IN BR PON LOADCENTER	786689056605	BJHDS
BRPGUTTER	AUXILARY GUTTER ENCLOSURE	786689053659	BRGUTTER
CHPHDGEN	CH BREAKER RETAINER BRACKET FOR BACKFED MAINS UP TO 125A	786689053888	New kit



# Frequently asked questions

## General questions:

### Which loadcenters are excluded from the scope of the PON launch?

- Continue to order the standard offering for the below loadcenters as they are not apart of the PON launch and the legacy style will continue to be offered.
  - High interrupting loadcenters
  - Surge loadcenters
  - High ampacity loadcenters (400A & 600A)
  - Three-phase loadcenters
  - Riser loadcenters
  - Small space loadcenters (below 12 space)

### Are the pigtail and PON breakers reverse compatible?

- Pigtail breakers fit in both legacy style and PON loadcenters; whereas, PON breakers only fit in PON loadcenters.

### Are dimensional drawings of the PON loadcenters available?

- Yes, dimensional drawings are available. Request via the TRC or EatonCare or locate in Bid Manager using the submittal drawing package function.

### Will the old loadcenter covers fit the new PON loadcenters?

- No, the covers are not reverse compatible.

### Do the new PON loadcenters come with the UL 67 terminal insulators?

- Yes, all main breaker loadcenters 225A and below come standard with the UL 67 terminal insulator kit.

### What do you do with the green bonding screw when the ground and neutral should not be bonded?

- For non-service entrance applications, it is recommended that the green screw is removed entirely and discarded.

### Do the 125A MLO loadcenters with ground bar have a 2/0 lug?

- Currently they do not; however, there is an upcoming project to add (1) 2/0 lug to all BR and CH PON MLO loadcenters with factory installed ground bar. In the meantime, if a 2/0 lug is needed, the NL20 can be added to the ground bar.

## BR Loadcenters:

### Is there a list of the BR replacement covers for the PON loadcenters?

- Yes, request via the TRC.

## CH Loadcenters:

### Is the design of the new CH PON loadcenter physically different than the legacy CH PON loadcenter?

- Yes, the legacy PON CH loadcenter and the redesigned CH PON loadcenter are physically different. However, the way the PON breaker connects to the neutral bar is similar between the legacy and new PON designs. Therefore, the existing CH PON breakers will fit in the new CH PON loadcenters.

### Do the 2-pole CH ground fault breakers, surge breakers, and 2-pole CH AFCI breakers fit in the new CH PON loadcenters?

- Currently, no; however, there is an active project to provide a solution for this. In the interim, contact your local Eaton sales representative for potential solutions on jobs where this is needed.

### What happened to the CH combination loadcenter covers?

- CH combination loadcenter covers = CH flush loadcenter covers

### Which CH loadcenters have an installed ground bar?

- CH MLO loadcenters come with a ground bar as standard, although it is not indicated with a standard G in the catalog number.

### Can a wire be installed in the neutral bar beneath the CH PON breakers?

- No, a wire cannot be installed in the neutral bar beneath the PON breakers. If additional terminals are needed, a ground bar can be purchased.

## BR Breakers:

### What are the differences between the legacy BR electronic pigtail breakers and the newly released BRN pigtail breakers?

- The new BRN pigtail breakers have the same form, fit and function as legacy BR pigtail breaker catalog numbers. The new breakers have updated printed circuit boards to reflect the latest generation fixes. Aside from the clear LED indicator and the catalog number change, there is no visible difference between the new BRN pigtail and legacy pigtail breakers.

### Will the series ratings from our legacy style breakers be the same for our new electronic breaker catalogs?

- The BRP and BRN electronic circuit breakers are approved to series rate with our main breakers up stream. Both the plug-on neutral BRP and pigtail style BRN breakers were tested under type designation ETN01, which should be listed on the label within the loadcenter.

### Are the 2 Pole BR GFCI breakers available in PON style?

- No, only the 1 pole 15A and 20A electronic breakers are available in PON style. The BR 2 pole GFCI breakers will only be available in pigtail style & the catalog number will not change. These 2 pole breakers fit in the BR PON loadcenters below the neutral bars.

### Does the BJ breaker fit in the PON loadcenters?

- BJ breakers with a date code of November 9th, 2018 or later will fit in the PON loadcenters.

# Frequently asked questions

## CH Breakers:

### Has Eaton transitioned the CH pigtail and PON breakers to the new catalog numbers?

- No, until further notice, the CH pigtail and PON breakers are not changing catalog numbers. In the meantime, continue to use the current CH breaker catalog numbers (ex: CHFCAF120 & CHFCAF120PN). The current CH pigtail and PON breakers will both fit in the new CH PON loadcenters.

## Accessories:

### Are the legacy and new accessories reverse compatible?

- In general, if a new PON accessory was released then the legacy accessory is not compatible with the PON loadcenters. There are accessories that are common across the legacy and PON loadcenters. Please refer to section V1-T1-66 & 67 of the catalog for BR accessory compatibility and V1-T1-22 & 23 for CH accessory compatibility.

### Can the legacy ground bars be used in place of the new plug-on neutral ground bars?

- The ground bars are not reverse compatible. However, the legacy ground bars (GBK without the "P") can be used in the new PON loadcenters by either using the GBKA adapter kit or by drilling a hole.

### Which main lug kit works with the BR convertible loadcenters?

- Both the BRPL200 and BRL200 lug kits can be used with the PON loadcenters. The BRL200 comes with main lugs and a filler plate. Although the filler plate included with BRL200 is only compatible with legacy non-PON loadcenters, the main lugs included with BRL200 will fit both the legacy and PON loadcenters.

### Are PON covers with integrated mechanical interlock available?

- No, for both BR & CH the mechanical interlock kits need to be purchased separately from the covers.

### When should the NL20 / NL300 be used versus the NLP20 / NLP300?

- When adding a lug to the ground bar, use the NL20 or NL300 as they fit anywhere on the neutral/ground bar. The NLP20 and NLP300 are only necessary to use as replacements for the incoming lug at the top of the neutral bar because they include the extrusion for bonding to the enclosure.

### Which main breaker kit do the new BR & CH PON convertible loadcenters use?

- The legacy and PON convertible loadcenters utilize the same main breaker kits.



**Eaton**  
1000 Eaton Boulevard  
Cleveland, OH 44122  
United States  
Eaton.com

© 2019 Eaton  
All Rights Reserved  
Printed in USA  
Publication No. CC003011EN /  
CSSC-1901-6407  
March 2019

Eaton is a registered trademark.

All other trademarks are property  
of their respective owners.

Follow us on social media to get the  
latest product and support information.

