



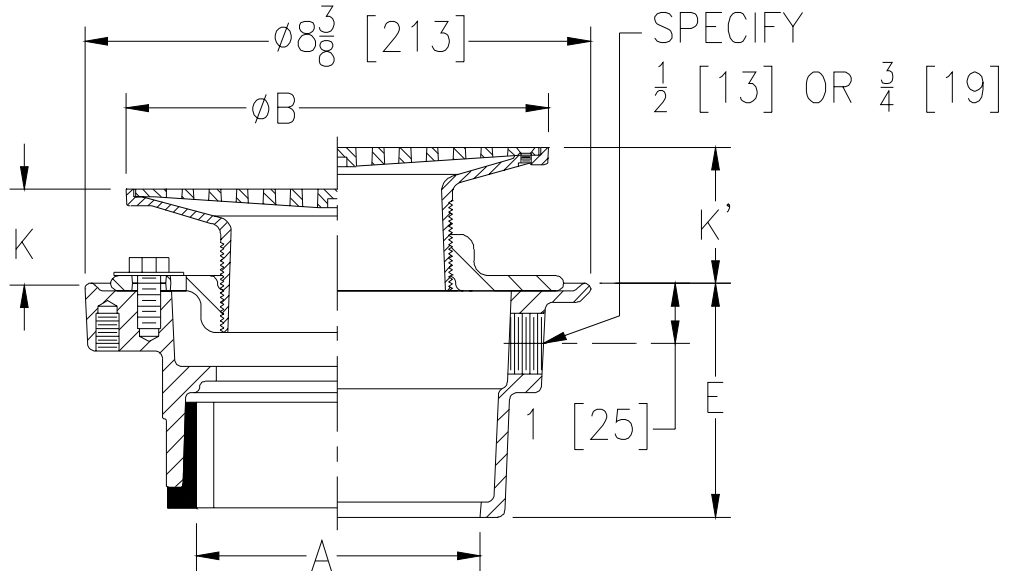
Z415B-P

SPECIFICATION SHEET

BODY ASSEMBLY W/ "TYPE B" STRAINER & TRAP PRIMER CONNECTION

TAG _____

Dimensional Data (inches and [mm]) are Subject to Manufacturing Tolerances and Change Without Notice



Dimensions In Inches						Approx. Wt. Lbs. [kg]	Strainer Open Area Sq. In. [cm ²]
A - Pipe Size	B Strainer Dia.	K		K'			
		Min.	Max.	Min.	Max.		
2-3 [50-75]	5 [127]	1/2 [13]	1 5/8 [41]	1 3/8 [35]	2 3/8 [60]	11 [5]	8 [52]
2-3-4 [50-75-100]	6 [152]	3/4 [19]	1 3/4 [44]	1 5/8 [41]	2 3/4 [70]	13 [6]	9 [58]
2-3-4 [50-75-100]	7 [178]	1 [25]	2 1/4 [57]	2 [51]	3 1/8 [79]	14 [6]	12 [77]
3-4 [75-100]	8 [203]	1 1/8 [29]	2 1/4 [57]	2 [51]	3 1/8 [79]	16 [7]	18 [116]
6 [150]	8 [203]	1 1/8 [29]	2 1/4 [57]	2 [51]	3 1/8 [79]	18 [8]	18 [116]
6 [150]	10 [254]	1 5/8 [41]	2 5/8 [67]	2 5/8 [67]	3 1/2 [89]	22 [10]	26 [168]

ENGINEERING SPECIFICATION: ZURN ZN415B-P Floor and shower drain, Dura-Coated cast iron body with bottom outlet and trap primer connection, combination invertible membrane clamp and adjustable collar with seepage slots and "TYPE B" polished nickel bronze strainer.

OPTIONS (Check/specify appropriate options)

PIPE SIZE

- 2 thru 4 [50 thru 100]
- 2 thru 4 [50 thru 100]
- 2 [50]
- 3 [75]
- 4 [100]
- 6 [150]
- 2 thru 4 [50 thru 100]
- 2 thru 4 [50 thru 100]

(Specify size/type) **OUTLET**

- _____ IC Inside Caulk
- _____ IG Inside Gasket
- _____ IP Threaded
- _____ IP Threaded
- _____ IP Threaded
- _____ IP Threaded
- _____ NH No-Hub
- _____ NL Neo-Loc

'E' BODY HT. DIM.

- 3 7/8 [98]
- 3 7/8 [98]
- 2 3/8 [60]
- 2 5/8 [67]
- 2 7/8 [73]
- 2 3/4 [70]
- 3 7/8 [98]
- 4 5/8 [117]

PREFIXES

- _____ ZB D.C.C.I. Body Assembly w/Polished Bronze Top
- _____ ZN D.C.C.I. Body Assembly w/Polished Nickel Bronze Top*

SUFFIXES

- _____ -AA All Acid Resisting Epoxy
- _____ -AR Acid Resisting Epoxy Coated Cast Iron
- _____ -DP Decorative Polished Top
- _____ -G Galvanized Cast Iron
- _____ -HD Heavy Duty Slotted Grate (ZN 5 [127] and 6 [152] Sizes Only)
- _____ -OF Oval Funnel (Z329) (6 - 10 [152 - 254] Strainers Only)
- _____ -TC Neo-Loc Test Cap Gasket (2 [50] - 4 [100] NL Outlet Only)
- _____ -U 1 - 3 [25 - 76] High Extension Adapter
- _____ -V Backwater Valve
- _____ -VP Vandal-Proof Secured Top
- _____ -Y Sediment Bucket
- _____ -4 4 [100] Diameter Funnel (Z328)

*REGULARLY FURNISHED UNLESS OTHERWISE SPECIFIED

REV.	DATE: 1/19/04	C.N. NO. 91865
DWG. NO. 67167	PRODUCT NO. Z415B-P	