



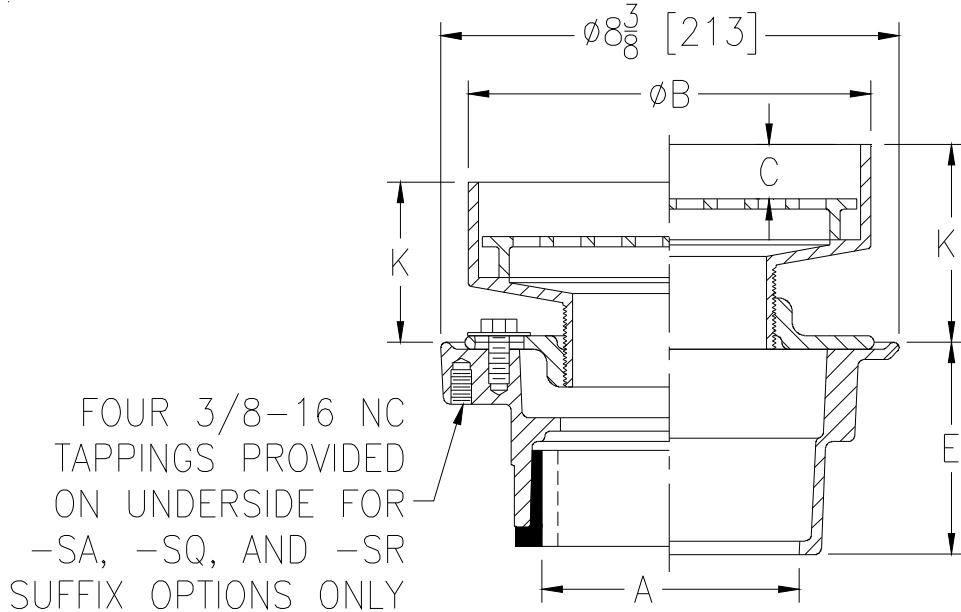
Z415I

BODY ASSEMBLY W/ "TYPE I" STRAINER

SPECIFICATION SHEET

TAG _____

Dimensional Data (inches and [mm]) are Subject to Manufacturing Tolerances and Change Without Notice



Dimensions In Inches [mm]							Approx. Wt. Lbs. [kg]	Strainer Open Area Sq. In. [cm ²]
A - Pipe Size	B Strainer Dia.	C	K		K'			
			Min.	Max.	Min.	Max.		
2, 3 [51, 76]	5-7/16 [138]	7/8 [22]	1-9/16 [40]	2-5/8 [67]	2-1/8 [54]	3-3/8 [86]	14 [6]	8 [52]
2, 3, 4 [51, 76, 102]	7-3/8 [187]	1 [25]	2-9/16 [65]	3-3/8 [86]	2-7/8 [73]	4-1/8 [105]	19 [9]	13 [84]
3, 4 [76, 102]	9 [229]	1/2 [13]	2-3/16 [56]	3-1/8 [79]	2-5/8 [67]	3-7/8 [98]	23 [10]	23 [148]
6 [152]	9 [229]	1/2 [13]	2-3/16 [56]	3-1/8 [79]	2-5/8 [67]	3-7/8 [98]	23 [10]	23 [148]

ENGINEERING SPECIFICATION: ZURNZN415I

Floor and shower drain, Dura-Coated cast iron body with bottom outlet, combination invertible membrane clamp and adjustable collar with seepage slots and "TYPE I" polished nickel bronze strainer with raised flange.

OPTIONS (Check/specify appropriate options)

PIPE SIZE

2,3,4 [51,76,102]
 2 [51]
 3 [76]
 4 [102]
 6 [152]
 2,3,4 [51,76,102]
 2,3,4 [51,76,102]

(Specify size/type) OUTLET

_____ IC Inside Caulk
 _____ IP Threaded
 _____ IP Threaded
 _____ IP Threaded
 _____ IP Threaded
 _____ NH No-Hub
 _____ NL Neo-Loc

'E' BODY HT. DIM.

4-13/16 [106]
 2-7/16 [62]
 2-3/4 [70]
 2-13/16 [71]
 2-7/8 [73]
 3-13/16 [97]
 3-7/8 [98]

PREFIXES

_____ ZB D.C.C.I. Body Assembly w/ Polished Bronze Top
 _____ ZN D.C.C.I. Body Assembly w/ Polished Nickel Bronze Top*

SUFFIXES

_____ -AR	Acid Resisting Epoxy Coated Cast Iron	_____ -TS	Top Secured with Slotted Screws
_____ -G	Galvanized Cast Iron	_____ -U	1 - 3 [25 - 76] High Extension Adapter
_____ -P	Trap Primer Connection (Specify 1/2 [13] or 3/4 [19])	_____ -V	Backwater Valve
_____ -SA	Stabilizer Assembly (See Z1035)	_____ -VP	Vandal-Proof Secured Top
_____ -SQ	Stabilizer Q-Deck (See Z1035-Q)	_____ -Y	Sediment Bucket
_____ -SR	Stabilizer Ring	_____ -90	90° Threaded Side Outlet Body Assembly (2 [51], 3 [76] Only)
_____ -TC	Neo-Loc Test Cap Gasket (2, 3, 4 [51, 76, 102] NL Bottom Outlet Only)		

* Regularly furnished unless otherwise specified.

Zurn Industries, LLC | Specification Drainage Operation
 1801 Pittsburgh Avenue, Erie, PA U.S.A. 16502 · Ph. 855-663-9876, Fax 814-454-7929
 In Canada | Zurn Industries Limited
 3544 Nashua Drive, Mississauga, Ontario L4V 1L2 · Ph. 905-405-8272, Fax 905-405-1292
www.zurn.com

Rev. N
 Date: 09/26/2017
 C.N. No. 137866
 Prod. | Dwg. No. Z415I