

4987-3987 VANQUISH™



Elongated Front, SmartHeight™, Vitreous China, Two-Piece Toilet

FEATURES

- 1.6 gpf / 6.0 lpf low water consumption
- Revolutionary seat design with side-mount hinges for easy cleaning
- PuraClean® easy-to-clean glazed surface
- Elongated front, SmartHeight™ bowl (17" high)
- 3" Rigid Flapper flush valve – requires less force to flush, is more consistent and uses a simple universal repair part/seal
- Fluidmaster® Pilot anti-siphon fill valve
- 12" rough-in
- SmartFasten™ 2-bolt tank-to-bowl connection
- Model 39 decorative metal trip lever
- 2" glazed trapway
- The Mansfield® limited lifetime warranty on china, Five-year limited warranty on tank trim & seat
- Available in white



MODEL 4987-3987

Toilet seat included

Available as CTK





CTK

ELONGATED

SMARTHEIGHT ADA

COMPONENTS

MODEL #	DESCRIPTION	CODES/STANDARDS
4987	Elongated front, SmartHeight™ bowl with side-mount seat.	 
3987	Tank and lid only. With left hand, chrome-plated metal trip lever. Less supply.	
SB4000	Patented slow close seat with side-mount hinges*	
3987-LID	Tank Lid	
5987CTK	Elongated front, SmartHeight™ complete toilet kit. Includes slow close toilet seat, tank and bowl, flange bolts, wax ring with polyethylene flange and instructions. Less supply.	
TANK TRIM		
39	Trip Lever - chrome-plated metal trip lever, left hand	
400A	Fluidmaster® Pilot anti-siphon fill valve (Mansfield 2206 is an equivalent replacement)	
3987-1112	3" Rigid Flapper flush valve	
630-0030	Replacement flush valve seal	


*U.S. Patent No. 9809967

4987-3987 VANQUISH™



Elongated Front, SmartHeight™, Vitreous China, Two-Piece Toilet

SPECIFICATIONS

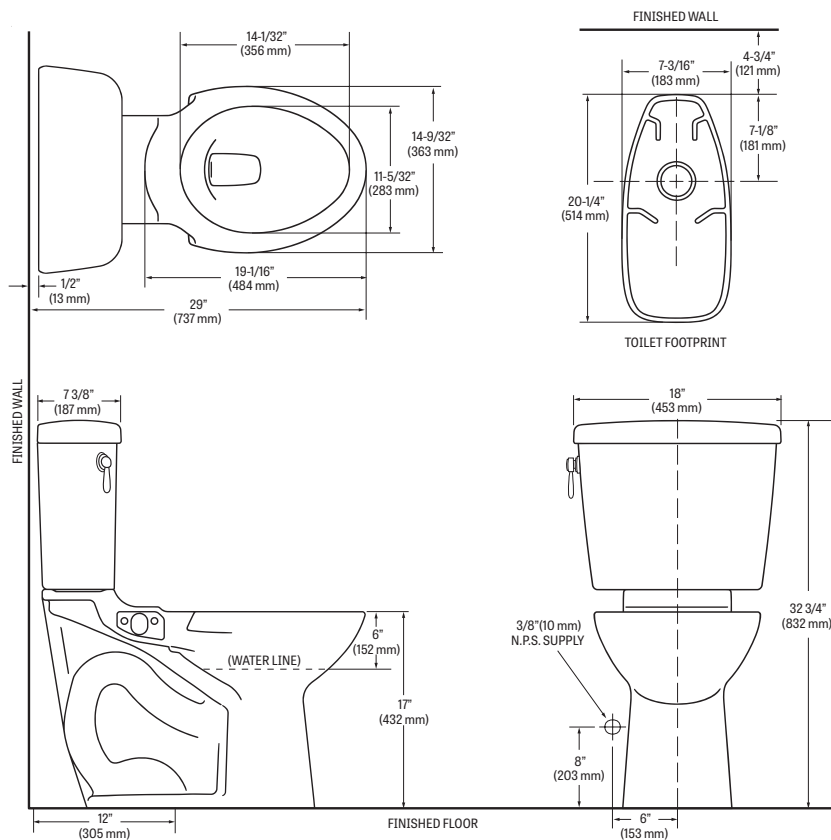
MODEL #	DESCRIPTION	CODES/STANDARDS
4987-3987	Elongated front (1.6 gpf/6.0 lpf) two-piece toilet	 

MATERIAL	Vitreous China
WATER PRESSURE RANGE	20 to 80 PSI
FLUSH SYSTEM	SmartFlush™ Flushing Technology
WATER USAGE	1.6 gpf / 6.0 lpf
WATER SURFACE AREA	8' X 7'
ROUGH-IN	12'
MAP RATING	1,000 grams

TRAP DIAMETER	2'
TRAP SEAL	2-3/8'
SHIPPING WEIGHT	Model 4987 (w/seat) - 63 lbs. (28.6 kg) Model 3987 - 35 lbs. (15.9 kg) Model 5987CTK - 98 lbs. (44.4 kg)
WARRANTY	Vitreous China - Limited Lifetime Tank Trim & Seat - Limited Five-Year

TECHNICAL INFORMATION

Note: these dimensions are nominal and subject to change without notice.



Fixture performance and specifications meet or exceed ASME A112.19.2-2013/CSA B45.1-13 standards, and other state and local codes.