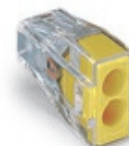




PUSH WIRE® connector for junction boxes; 2-conductor terminal block; transparent housing; yellow cover

Item No.: 773-102



PUSH WIRE® connector for junction boxes; 2-conductor terminal block; transparent housing; yellow cover

Marking

RoHS ✓
Compliant

Business data

Supplier	WAGO
Item no.	773-102
GTIN / EAN	4044918397537
Content	1
Order amount	100
Customer item number	

Notes

Safety information 2: When using conductors of exclusively the same cross section, 0.75 mm²/AWG 18 is also possible.

Technical data

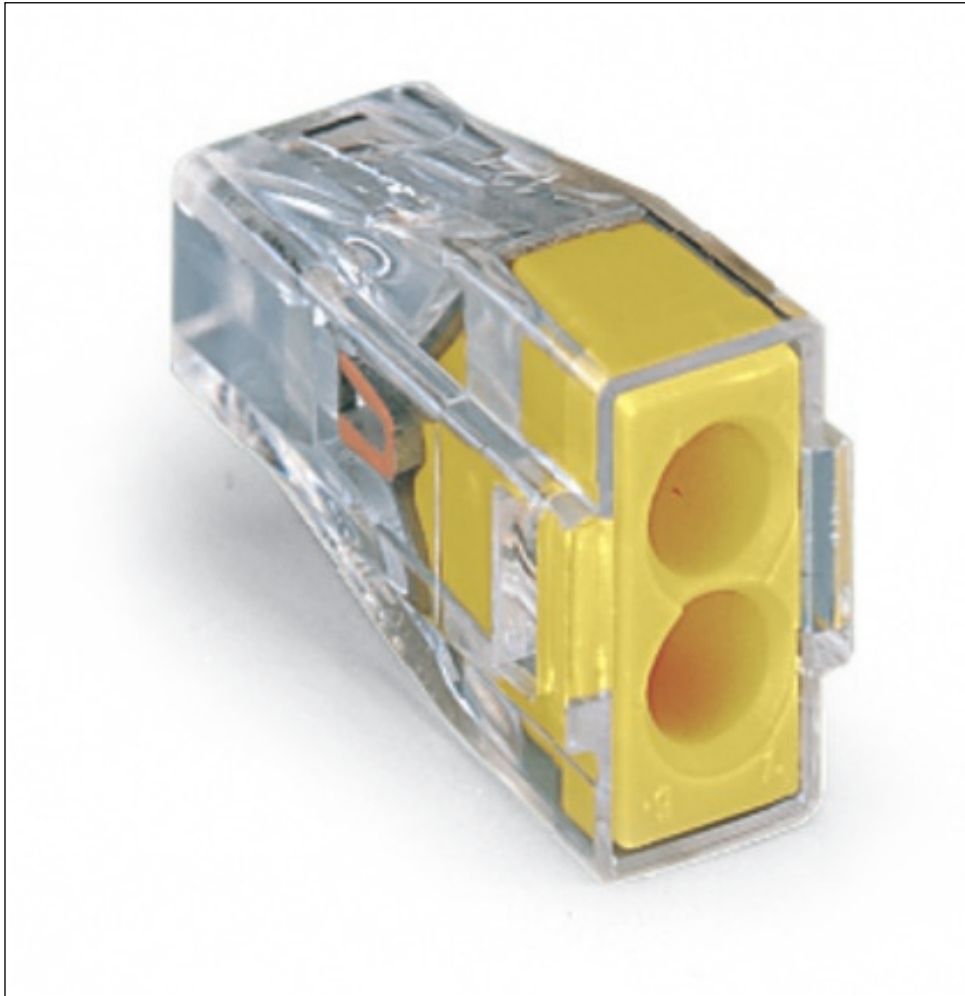
Miscellaneous

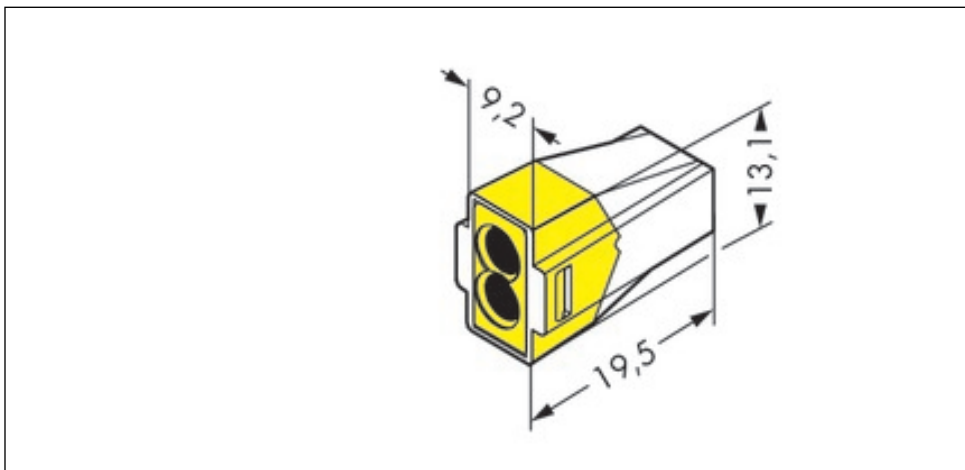
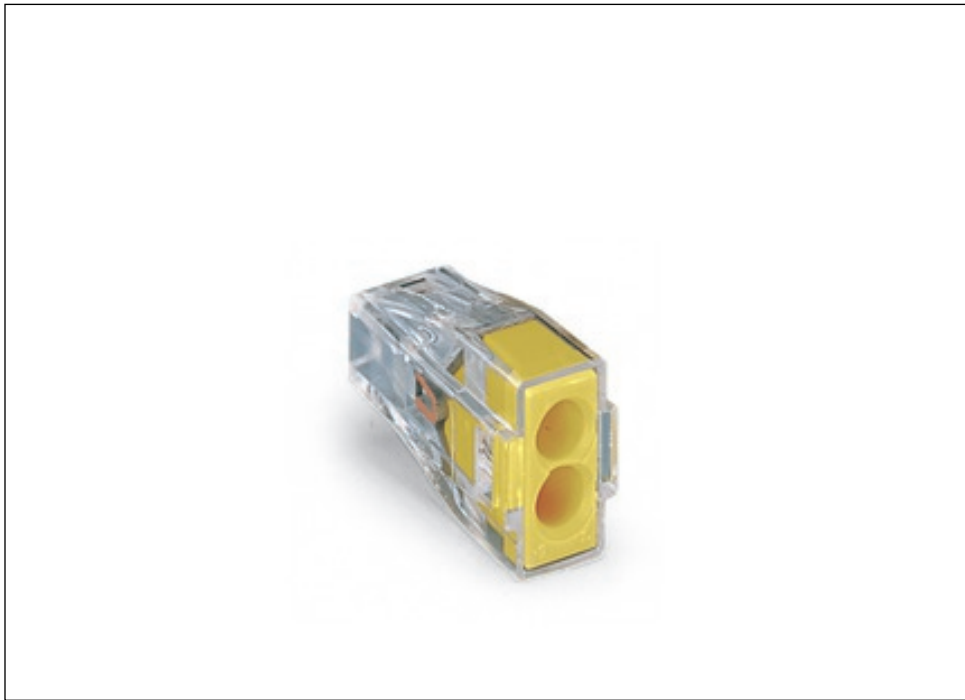
Total number of connection points	2
Total number of potentials	1
Pollution degree (1)	2
Rated voltage (II / 2) [V]	400 [V]

Printview: PUSH WIRE® connector for junction boxes; 2-conductor terminal block; transparent housing; yellow cover - Item No.: 773-102

Technical data	
<i>Rated impulse voltage (II / 2) [kV]</i>	<i>4 [kV]</i>
<i>Rated current [A]</i>	<i>24 [A]</i>
<i>Pull-in time</i>	<i>0.0</i>
<i>Connection technology</i>	<i>Push-in CAGE CLAMP®</i>
<i>Number of connection points connector</i>	<i>2</i>
<i>Actuation type</i>	<i>Push-in</i>
<i>Connectable conductor materials</i>	<i>Copper</i>
<i>Solid conductor</i>	<i>0.75 ... 2.5 mm² / 18 ... 12 AWG</i>
<i>Stranded conductor</i>	<i>1.5 ... 2.5 mm² / 16 ... 12 AWG</i>
<i>Strip length</i>	<i>12 mm / 0.47 Inch</i>
<i>Type of wiring</i>	<i>Side-entry wiring</i>
<i>Fire load [MJ]</i>	<i>0.036 [MJ]</i>
<i>Weight [g]</i>	<i>1.538 [g]</i>
<i>Width</i>	<i>9.2 mm / 0.362 Inch</i>
<i>Height</i>	<i>13.1 mm / 0.516 Inch</i>
<i>Depth</i>	<i>19.5 mm / 0.768 Inch</i>
<i>Safety information 1</i>	<i>In grounded power lines</i>

Images & drawings





Address

WAGO Kontakttechnik GmbH & Co. KG

Hansastr. 27

32423 Minden

Telefon: 0571/887-0

Fax: 0571/887-169

<http://www.wago.com>

© WAGO Kontakttechnik GmbH & Co. KG

Technische Änderungen und Irrtümer vorbehalten.