

SECTION VIII: REPLACEMENT PARTS LISTS

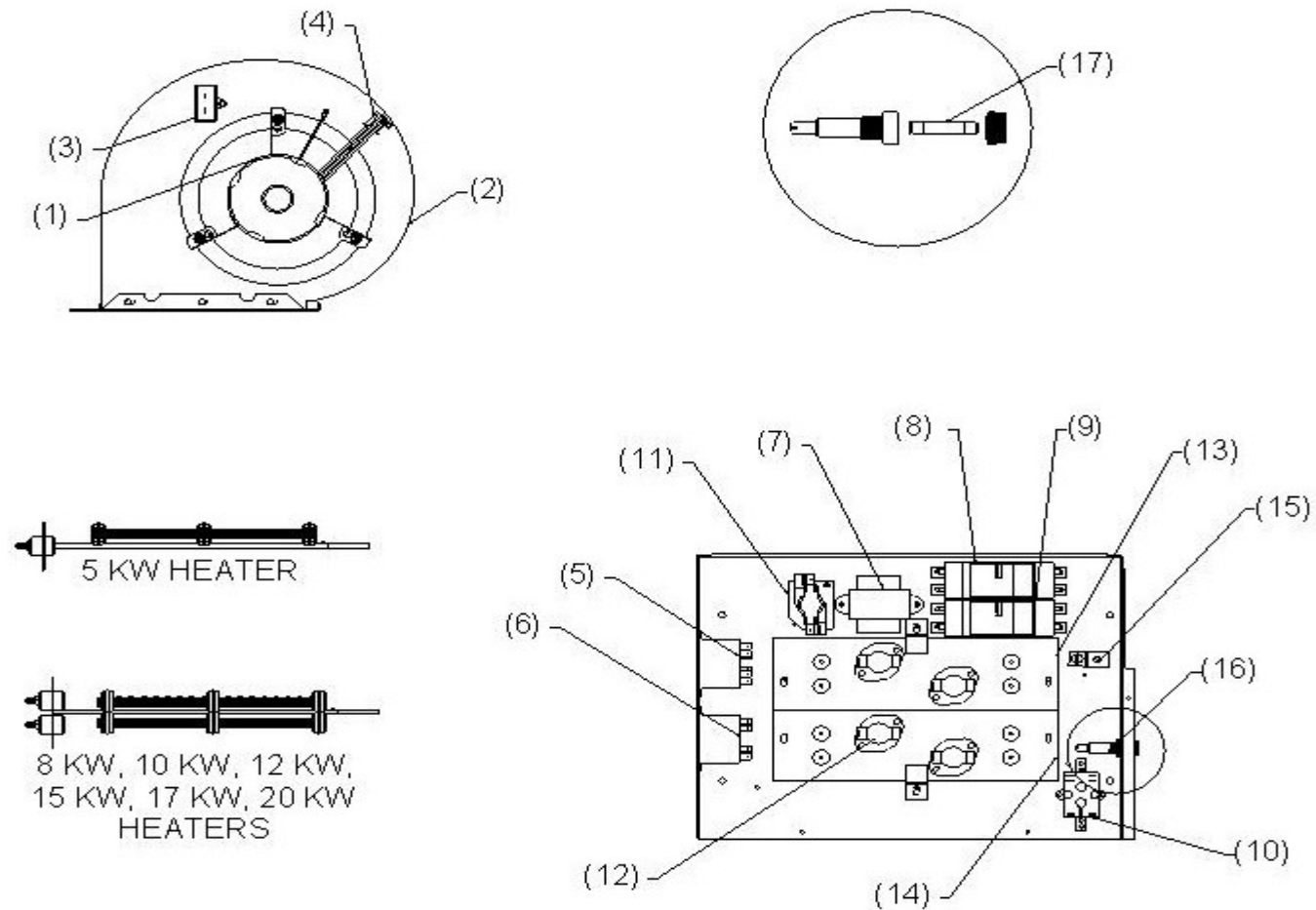


Figure 13: Replacement Parts Item Identification – PSC Blower Motor

ITEM	DESCRIPTION	MODELS													
		E30A2D005A	QTY	E30A2D008A	QTY	E30A2D010A	QTY	E30A2D012A	QTY	E30A2D015A	QTY	E30A2D017A	QTY	E30A2D020A	QTY
1	1/3 HP PSC BLOWER MOTOR	R65BP0014	1	R65BP0014	1	R65BP0014	1	R65BP0014	1	R65BP0014	1	R65BP0014	1	R65BP0014	1
2	BLOWER HOUSING & WHEEL	R69AD0018	1	R69AD0018	1	R69AD0018	1	R69AD0018	1	R69AD0018	1	R69AD0018	1	R69AD0018	1
3	CAPACITOR	R68DE0006	1	R68DE0006	1	R68DE0006	1	R68DE0006	1	R68DE0006	1	R68DE0006	1	R68DE0006	1
4	CAP INSULATED CLIP-ON TERM	R68DE0010	2	R68DE0010	2	R68DE0010	2	R68DE0010	2	R68DE0010	2	R68DE0010	2	R68DE0010	2
5	HEATER RELAY DP			R68AB0007	1	R68AB0007	1	R68AB0007	1	R68AB0007	1	R68AB0007	1	R68AB0007	2
6	HEATER RELAY SP	R68AB0008	1							R68AB0008	1	R68AB0008	1		
7	TRANSFORMER	R68AA0003	1	R68AA0003	1	R68AA0003	1	R68AA0003	1	R68AA0003	1	R68AA0003	1	R68AA0003	1
8	CIRCUIT BREAKER 1	R68BAD014	1	R68BAD017	1	R68BAD018	1	R68BAD018	1	R68BAD018	1	R68BAD018	1	R68BAD018	1
9	CIRCUIT BREAKER 2									R68BAD012	1	R68BAD012	1	R68BAD017	1
10	BLOWER RELAY	R68AB0001	1	R68AB0001	1	R68AB0001	1	R68AB0001	1	R68AB0001	1	R68AB0001	1	R68AB0001	1
11	SEQUENCER	R68AD0003	2	R68AD0003	2	R68AD0003	2	R68AD0003	2	R68AD0003	2	R68AD0003	2	R68AD0003	2
12	LIMIT 155 DEGF	R68CA0008	1	R68CA0008	2	R68CA0008	2	R68CA0008	2	R68CA0008	3	R68CA0008	3	R68CA0008	4
13	ELECTRIC HEATER ELEMENT 1	R67AB0003	1	R67AB0007	1	R67AB0005	1	R67AB0006	1	R67AB0005	1	R67AB0006	1	R67AB0005	2
14	ELECTRIC HEATER ELEMENT 2									R67AB0003	1	R67AB0003	1		
15	GROUND LUG	R68DC0027	1	R68DC0027	1	R68DC0027	1	R68DC0027	1	R68DC0027	1	R68DC0027	1	R68DC0027	1
16	FUSE HOLDER	R73MHA001	1	R73MHA001	1	R73MHA001	1	R73MHA001	1	R73MHA001	1	R73MHA001	1	R73MHA001	1
17	3 AMP FUSE	R73MH0001	1	R73MH0001	1	R73MH0001	1	R73MH0001	1	R73MH0001	1	R73MH0001	1	R73MH0001	1

Table 10: Replacement Parts 1/3 HP PSC Models

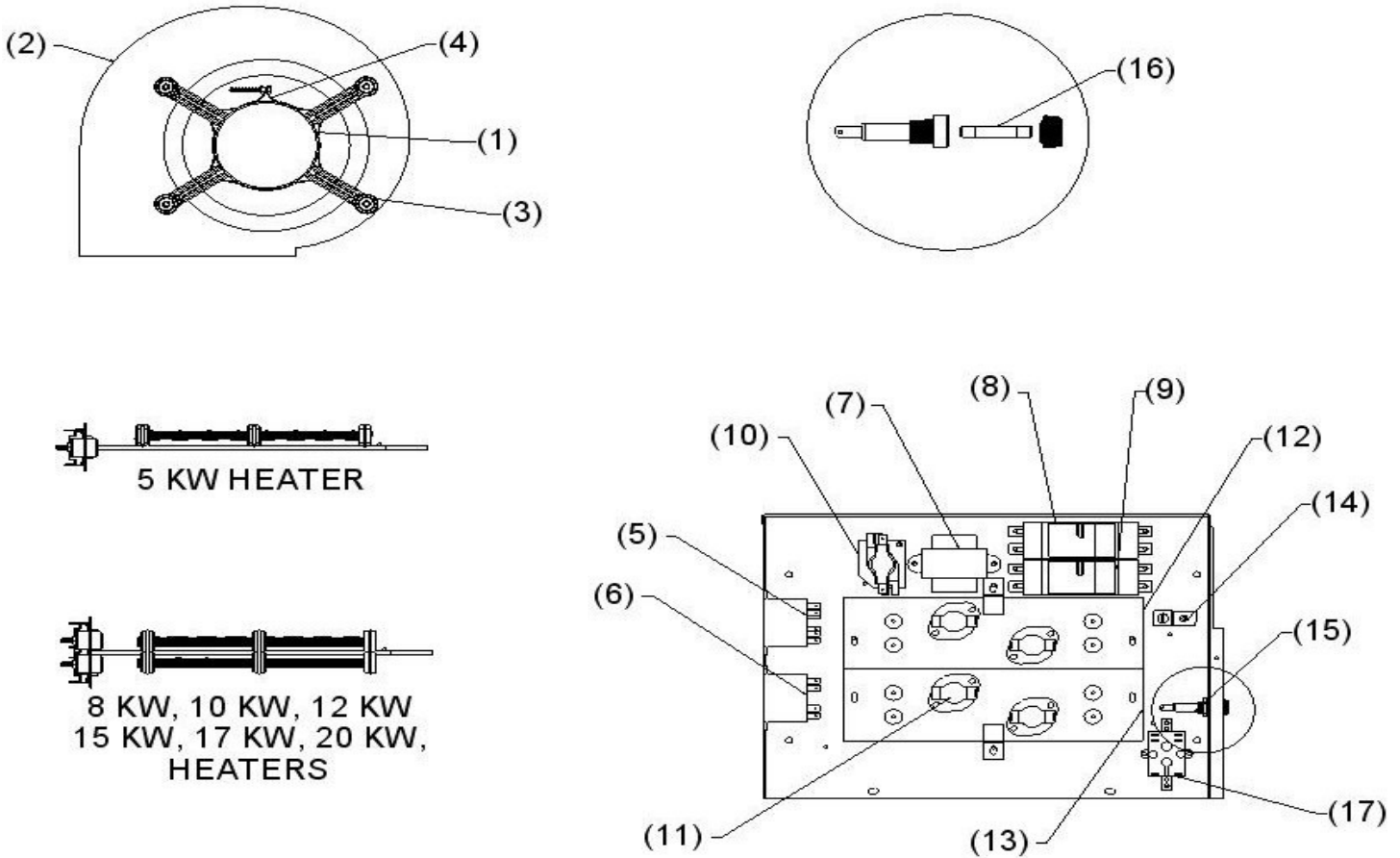


Figure 14: Replacement Parts Item Identification X-13 Blower Motor

		MODELS													
ITEM	DESCRIPTION	E30B3D005A	QTY	E30B3D008A	QTY	E30B3D010A	QTY	E30B3D012A	QTY	E30B3D015A	QTY	E30B3D017A	QTY	E30B3D020A	QTY
1	1/3 HP X-13 BLOWER MOTOR	R65BV0025	1	R65BV0025	1	R65BV0025	1	R65BV0025	1	R65BV0025	1	R65BV0025	1	R65BV0025	1
2	BLOWER HOUSING & WHEEL	R69AD0018	1	R69AD0018	1	R69AD0018	1	R69AD0018	1	R69AD0018	1	R69AD0018	1	R69AD0018	1
3	MTR MT ARM & GROMMET	R66AB0059	1	R66AB0059	1	R66AB0059	1	R66AB0059	1	R66AB0059	1	R66AB0059	1	R66AB0059	1
4	MOTOR MOUNT BAND	R66AB0058	1	R66AB0058	1	R66AB0058	1	R66AB0058	1	R66AB0058	1	R66AB0058	1	R66AB0058	1
5	HEATER RELAY DP			R68AB0007	1	R68AB0007	1	R68AB0007	1	R68AB0007	1	R68AB0007	1	R68AB0007	2
6	HEATER RELAY SP	R68AB0008	1							R68AB0008	1	R68AB0008	1		
7	TRANSFORMER	R68AA0003	1	R68AA0003	1	R68AA0003	1	R68AA0003	1	R68AA0003	1	R68AA0003	1	R68AA0003	1
8	CIRCUIT BREAKER 1	R68BAD014	1	R68BAD017	1	R68BAD018	1	R68BAD018	1	R68BAD018	1	R68BAD018	1	R68BAD018	1
9	CIRCUIT BREAKER 2									R68BAD012	1	R68BAD012	1	R68BAD017	1
10	SEQUENCER	R68AD0003	1	R68AD0003	1	R68AD0003	1	R68AD0003	1	R68AD0003	1	R68AD0003	1	R68AD0003	1
11	LIMIT 155 DEG F	R68CA0008	1	R68CA0008	2	R68CA0008	2	R68CA0008	2	R68CA0008	3	R68CA0008	3	R68CA0008	4
12	ELECTRIC HEATER ELEMENT 1	R67AB0003	1	R67AB0007	1	R67AB0005	1	R67AB0006	1	R67AB0005	1	R67AB0006	1	R67AB0005	2
13	ELECTRIC HEATER ELEMENT 2									R67AB0003	1	R67AB0003	1		
14	GROUND LUG	R68DC0027	1	R68DC0027	1	R68DC0027	1	R68DC0027	1	R68DC0027	1	R68DC0027	1	R68DC0027	1
15	FUSE HOLDER	R73MHA001	1	R73MHA001	1	R73MHA001	1	R73MHA001	1	R73MHA001	1	R73MHA001	1	R73MHA001	1
16	3 AMP FUSE	R73MH0001	1	R73MH0001	1	R73MH0001	1	R73MH0001	1	R73MH0001	1	R73MH0001	1	R73MH0001	1

Table 11: Replacement Parts 1/3 HP X-13 Models

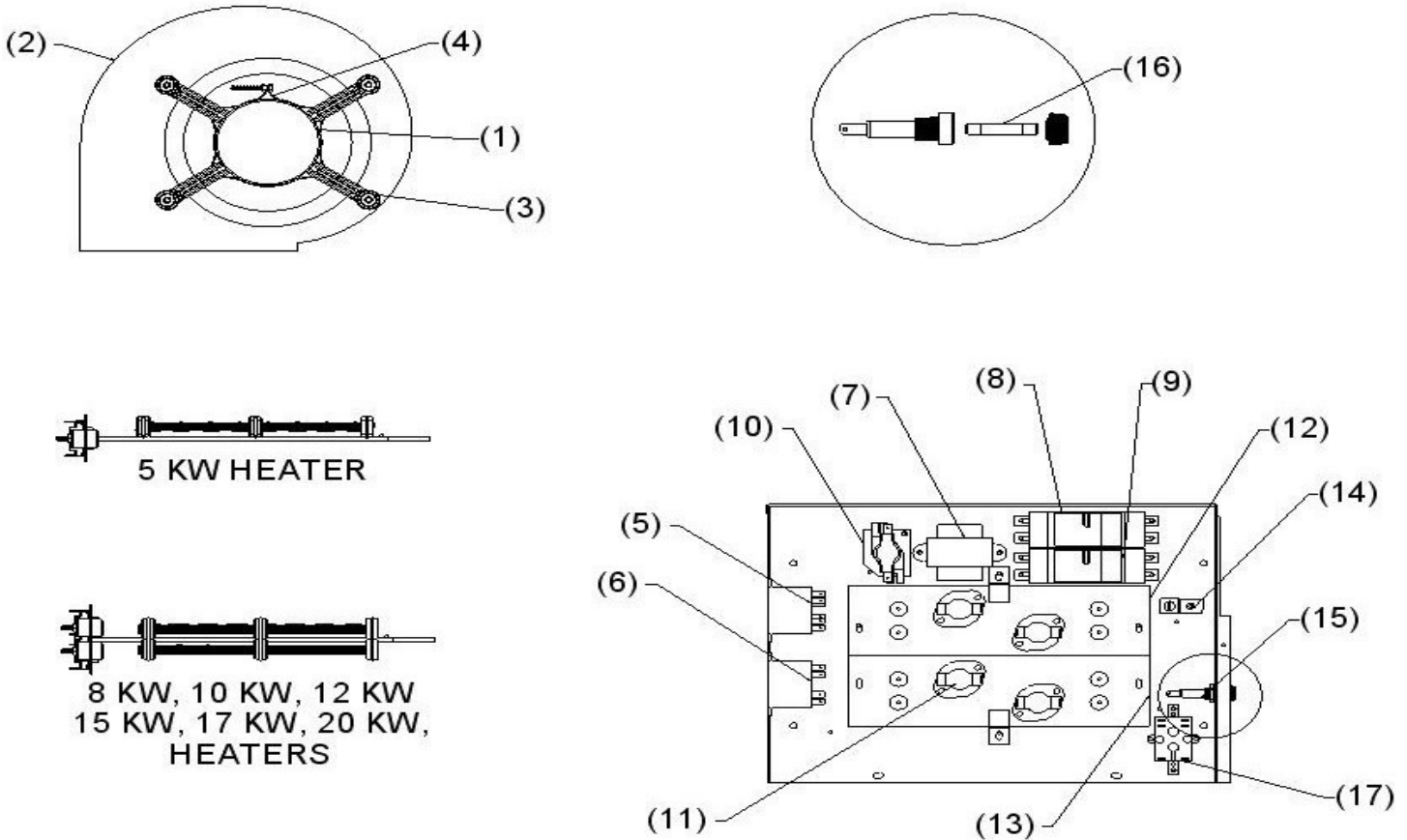


Figure 15: Replacement Parts Item Identification 1/2 HP X-13 Blower Motor

ITEM	DESCRIPTION	MODELS													
		E30B4D005A	QTY	E30B4D008A	QTY	E30B4D010A	QTY	E30B4D012A	QTY	E30B4D015A	QTY	E30B4D017A	QTY	E30B4D020A	QTY
1	1/2 HP X-13 BLOWER MOTOR	R65BV0026	1	R65BV0026	1	R65BV0026	1	R65BV0026	1	R65BV0026	1	R65BV0026	1	R65BV0026	1
2	BLOWER HOUSING & WHEEL	R69AD0018	1	R69AD0018	1	R69AD0018	1	R69AD0018	1	R69AD0018	1	R69AD0018	1	R69AD0018	1
3	MTR MT ARM & GROMMET	R66AB0059	1	R66AB0059	1	R66AB0059	1	R66AB0059	1	R66AB0059	1	R66AB0059	1	R66AB0059	1
4	MOTOR MOUNT BAND	R66AB0058	1	R66AB0058	1	R66AB0058	1	R66AB0058	1	R66AB0058	1	R66AB0058	1	R66AB0058	1
5	HEATER RELAY DP			R68AB0007	1	R68AB0007	1	R68AB0007	1	R68AB0007	1	R68AB0007	1	R68AB0007	2
6	HEATER RELAY SP	R68AB0008	1							R68AB0008	1	R68AB0008	1		
7	TRANSFORMER	R68AA0003	1	R68AA0003	1	R68AA0003	1	R68AA0003	1	R68AA0003	1	R68AA0003	1	R68AA0003	1
8	CIRCUIT BREAKER 1	R68BAD014	1	R68BAD017	1	R68BAD018	1	R68BAD018	1	R68BAD018	1	R68BAD018	1	R68BAD018	1
9	CIRCUIT BREAKER 2									R68BAD012	1	R68BAD012	1	R68BAD017	1
10	SEQUENCER	R68AD0003	1	R68AD0003	1	R68AD0003	1	R68AD0003	1	R68AD0003	1	R68AD0003	1	R68AD0003	1
11	LIMIT 155 DEG F	R68CA0008	1	R68CA0008	2	R68CA0008	2	R68CA0008	2	R68CA0008	3	R68CA0008	3	R68CA0008	4
12	ELECTRIC HEATER ELEMENT 1	R67AB0003	1	R67AB0007	1	R67AB0005	1	R67AB0006	1	R67AB0005	1	R67AB0006	1	R67AB0005	2
13	ELECTRIC HEATER ELEMENT 2									R67AB0003	1	R67AB0003	1		
14	GROUND LUG	R68DC0027	1	R68DC0027	1	R68DC0027	1	R68DC0027	1	R68DC0027	1	R68DC0027	1	R68DC0027	1
15	FUSE HOLDER	R73MHA001	1	R73MHA001	1	R73MHA001	1	R73MHA001	1	R73MHA001	1	R73MHA001	1	R73MHA001	1
16	3 AMP FUSE	R73MH0001	1	R73MH0001	1	R73MH0001	1	R73MH0001	1	R73MH0001	1	R73MH0001	1	R73MH0001	1

Table 12: Replacement Parts 1/2 HP X-13 Models

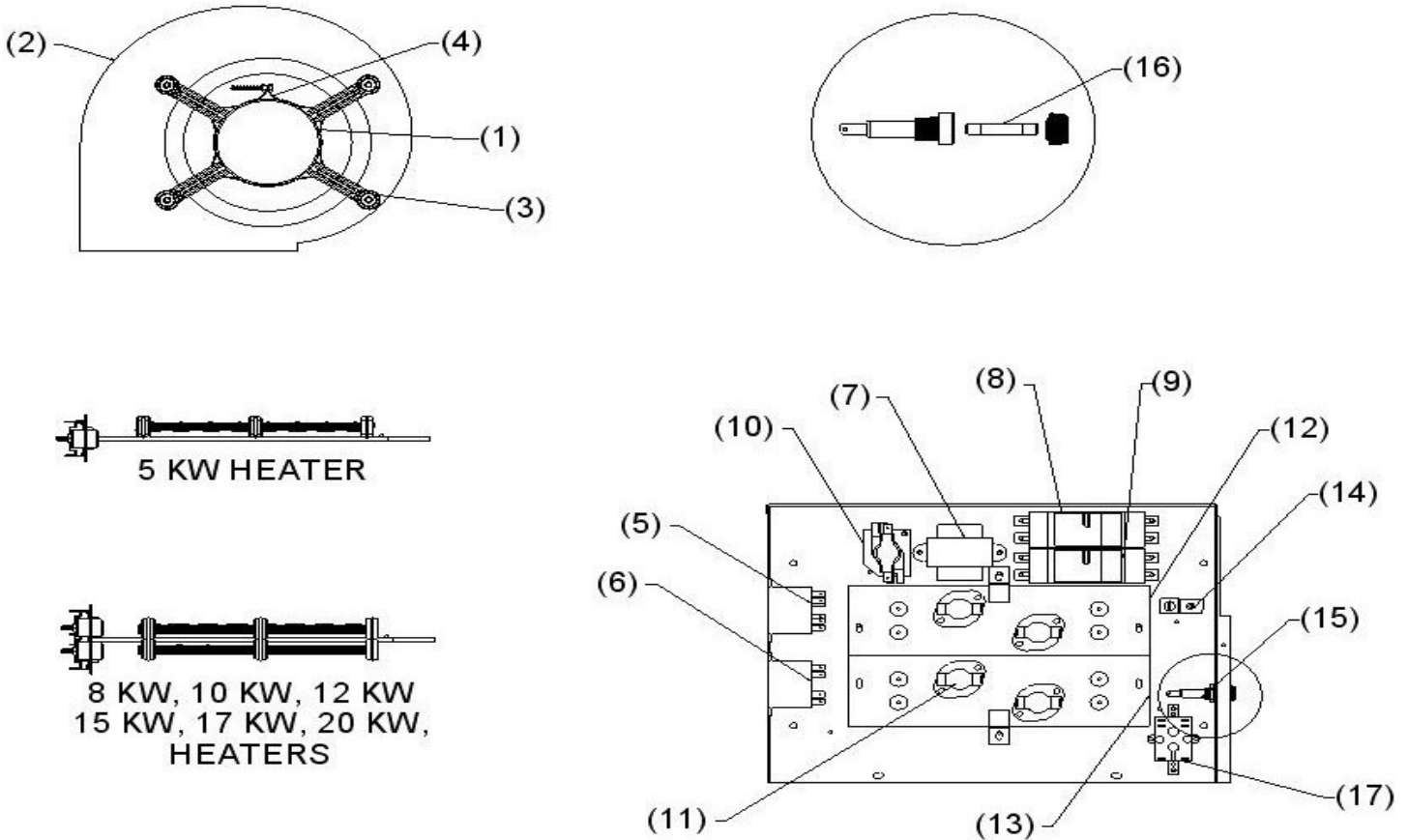


Figure 16: Replacement Parts Item Identification 3/4 HP X-13 Blower Motor

ITEM	DESCRIPTION	MODELS													
		E30B5D005A	QTY	E30B5D008A	QTY	E30B5D010A	QTY	E30B5D012A	QTY	E30B5D015A	QTY	E30B5D017A	QTY	E30B5D020A	QTY
1	3/4 HP X-13 BLOWER MOTOR	R65BV0027	1	R65BV0027	1	R65BV0027	1	R65BV0027	1	R65BV0027	1	R65BV0027	1	R65BV0027	1
2	BLOWER HOUSING & WHEEL	R69AD0018	1	R69AD0018	1	R69AD0018	1	R69AD0018	1	R69AD0018	1	R69AD0018	1	R69AD0018	1
3	MTR MT ARM & GROMMET	R66AB0059	1	R66AB0059	1	R66AB0059	1	R66AB0059	1	R66AB0059	1	R66AB0059	1	R66AB0059	1
4	MOTOR MOUNT BAND	R66AB0058	1	R66AB0058	1	R66AB0058	1	R66AB0058	1	R66AB0058	1	R66AB0058	1	R66AB0058	1
5	HEATER RELAY DP			R68AB0007	1	R68AB0007	1	R68AB0007	1	R68AB0007	1	R68AB0007	1	R68AB0007	2
6	HEATER RELAY SP	R68AB0008	1							R68AB0008	1	R68AB0008	1		
7	TRANSFORMER	R68AA0003	1	R68AA0003	1	R68AA0003	1	R68AA0003	1	R68AA0003	1	R68AA0003	1	R68AA0003	1
8	CIRCUIT BREAKER 1	R68BAD014	1	R68BAD017	1	R68BAD018	1	R68BAD018	1	R68BAD018	1	R68BAD018	1	R68BAD018	1
9	CIRCUIT BREAKER 2									R68BAD012	1	R68BAD012	1	R68BAD017	1
10	SEQUENCER	R68AD0003	1	R68AD0003	1	R68AD0003	1	R68AD0003	1	R68AD0003	1	R68AD0003	1	R68AD0003	1
11	LIMIT 155 DEGF	R68CA0008	1	R68CA0008	2	R68CA0008	2	R68CA0008	2	R68CA0008	3	R68CA0008	3	R68CA0008	4
12	ELECTRIC HEATER ELEMENT 1	R68BAD013	1	R68BAD016	1	R68BAD017	1	R68BAD018	1	R68BAD017	1	R68BAD018	1	R68BAD017	2
13	ELECTRIC HEATER ELEMENT 2									R68BAD012	1	R68BAD012	1		
14	GROUND LUG	R68DC0027	1	R68DC0027	1	R68DC0027	1	R68DC0027	1	R68DC0027	1	R68DC0027	1	R68DC0027	1
15	FUSE HOLDER	R73MHA001	1	R73MHA001	1	R73MHA001	1	R73MHA001	1	R73MHA001	1	R73MHA001	1	R73MHA001	1
16	3 AMP FUSE	R73MH0001	1	R73MH0001	1	R73MH0001	1	R73MH0001	1	R73MH0001	1	R73MH0001	1	R73MH0001	1

Table 13: Replacement Parts 3/4 HP X-13 Models

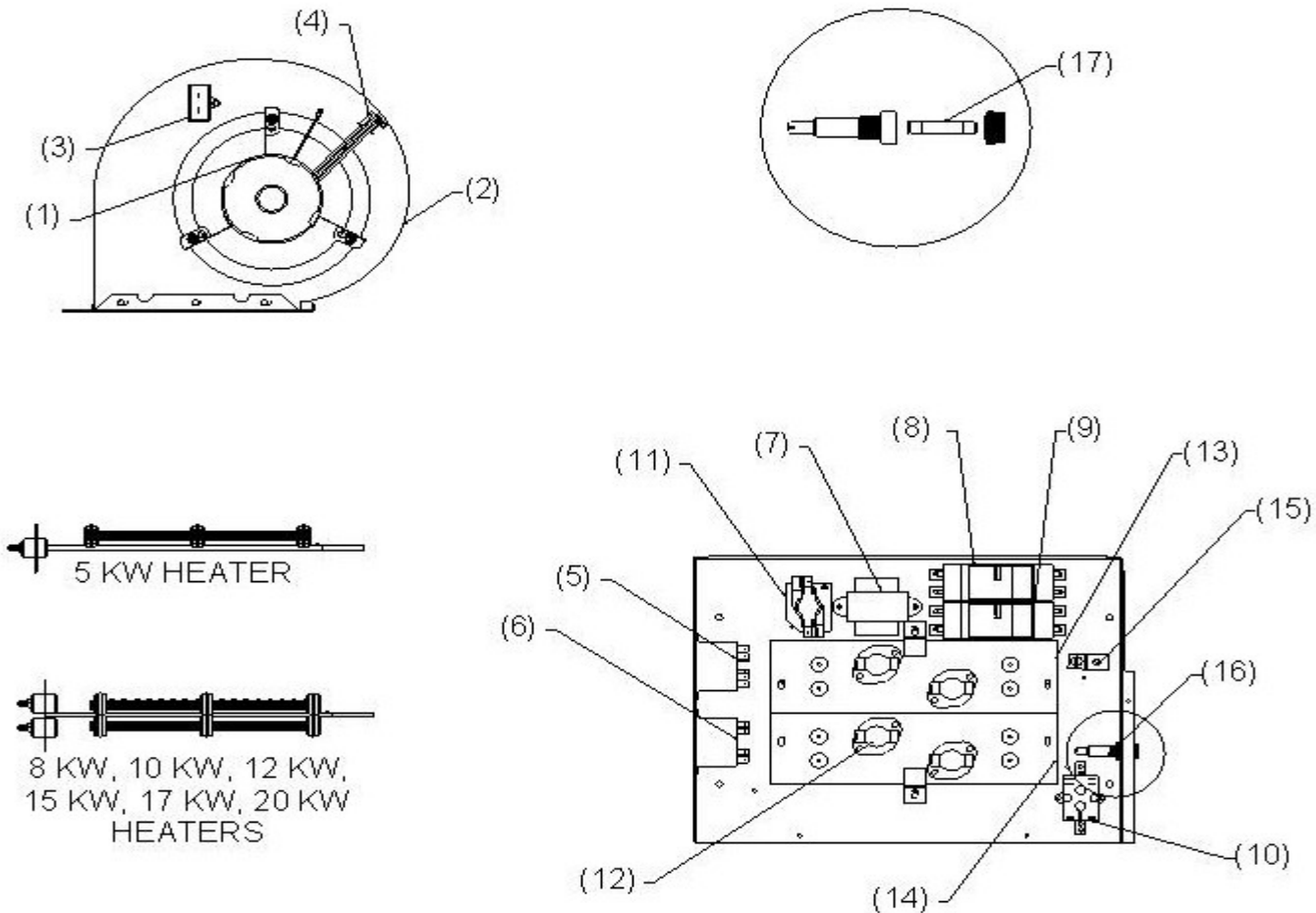


Figure 17: Replacement Parts Item Identification 1/2 HP PSC Blower Motor

ITEM	DESCRIPTION	MODELS													
		E30A1D005A	QTY	E30A1D008A	QTY	E30A1D010A	QTY	E30A1D012A	QTY	E30A1D015A	QTY	E30A1D017A	QTY	E30A1D020A	QTY
1	1/2 HP PSC BLOWER MOTOR	R65BP0001	1	R65BP0001	1	R65BP0001	1	R65BP0001	1	R65BP0001	1	R65BP0001	1	R65BP0001	1
2	BLOWER HOUSING & WHEEL	R69AD0018	1	R69AD0018	1	R69AD0018	1	R69AD0018	1	R69AD0018	1	R69AD0018	1	R69AD0018	1
3	CAPACITOR	R68DE0008	1	R68DE0008	1	R68DE0008	1	R68DE0008	1	R68DE0008	1	R68DE0008	1	R68DE0008	1
4	CAP INSULATED CLIP-ON TERM	R68DE0010	2	R68DE0010	2	R68DE0010	2	R68DE0010	2	R68DE0010	2	R68DE0010	2	R68DE0010	2
5	HEATER RELAY DP			R68AB0007	1	R68AB0007	1	R68AB0007	1	R68AB0007	1	R68AB0007	1	R68AB0007	2
6	HEATER RELAY SP	R68AB0008	1							R68AB0008	1	R68AB0008	1		
7	TRANSFORMER	R68AA0003	1	R68AA0003	1	R68AA0003	1	R68AA0003	1	R68AA0003	1	R68AA0003	1	R68AA0003	1
8	CIRCUIT BREAKER 1	R68BAD014	1	R68BAD017	1	R68BAD018	1	R68BAD018	1	R68BAD018	1	R68BAD018	1	R68BAD018	1
9	CIRCUIT BREAKER 2									R68BAD012	1	R68BAD012	1	R68BAD017	1
10	BLOWER RELAY	R68AB0001	1	R68AB0001	1	R68AB0001	1	R68AB0001	1	R68AB0001	1	R68AB0001	1	R68AB0001	1
11	SEQUENCER	R68AD0003	2	R68AD0003	2	R68AD0003	2	R68AD0003	2	R68AD0003	2	R68AD0003	2	R68AD0003	2
12	LIMIT 155 DEG F	R68CA0008	1	R68CA0008	2	R68CA0008	2	R68CA0008	2	R68CA0008	3	R68CA0008	3	R68CA0008	4
13	ELECTRIC HEATER ELEMENT 1	R67AB0003	1	R67AB0007	1	R67AB0005	1	R67AB0006	1	R67AB0005	1	R67AB0006	1	R67AB0005	2
14	ELECTRIC HEATER ELEMENT 2									R67AB0003	1	R67AB0003	1		
15	GROUND LUG	R68DC0027	1	R68DC0027	1	R68DC0027	1	R68DC0027	1	R68DC0027	1	R68DC0027	1	R68DC0027	1
16	FUSE HOLDER	R73MHA001	1	R73MHA001	1	R73MHA001	1	R73MHA001	1	R73MHA001	1	R73MHA001	1	R73MHA001	1
17	3 AMP FUSE	R73MH0001	1	R73MH0001	1	R73MH0001	1	R73MH0001	1	R73MH0001	1	R73MH0001	1	R73MH0001	1

Table 14: Replacement Parts 1/2 HP PSC Models

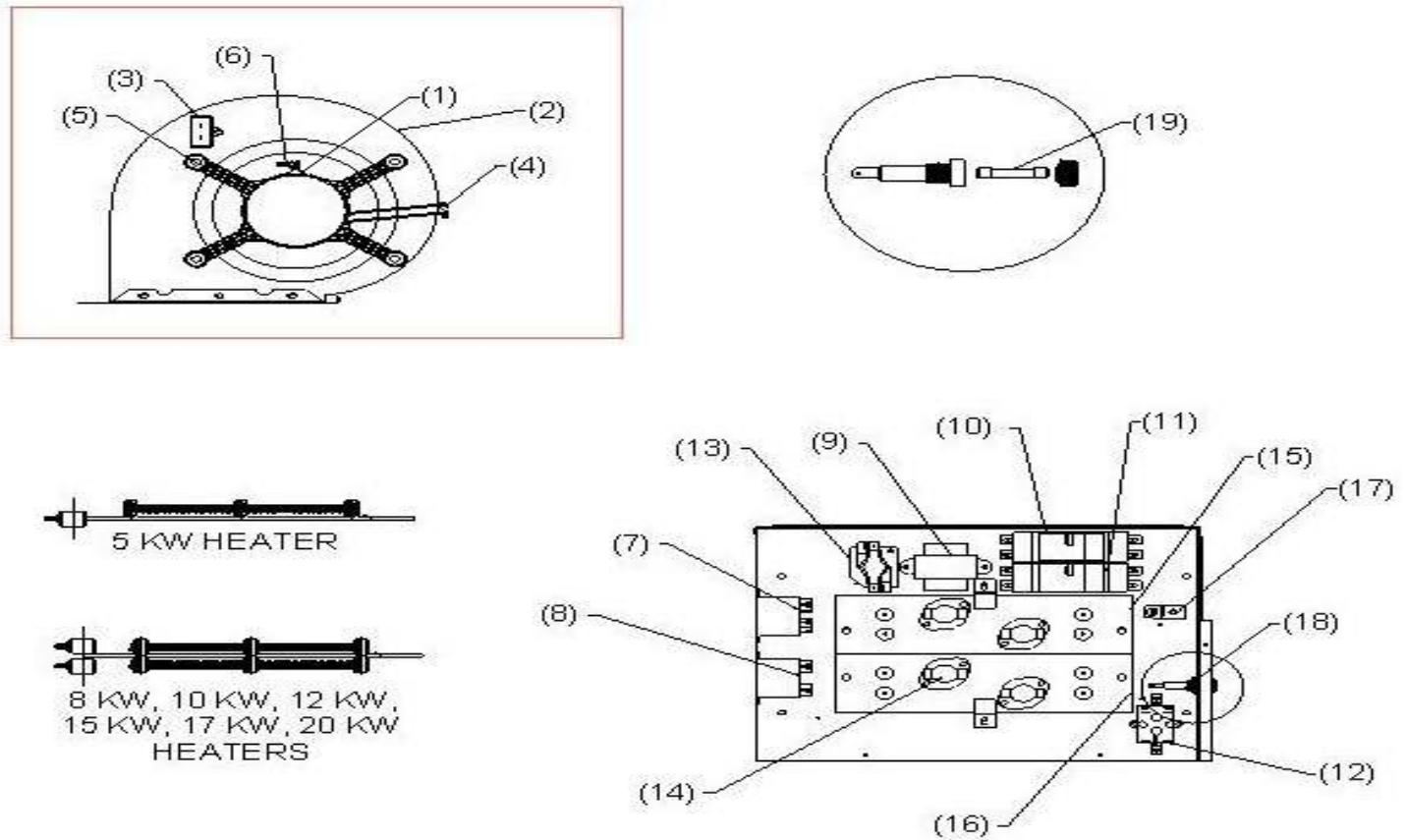


Figure 18: Replacement Parts Item Identification 3/4 HP PSC Blower Motor

ITEM	DESCRIPTION	MODELS													
		E30A6D005A	QTY	E30A6D008A	QTY	E30A6D010A	QTY	E30A6D012A	QTY	E30A6D015A	QTY	E30A6D017A	QTY	E30A6D020A	QTY
1	3/4 HP PSC BLOWER MOTOR	R65BP0006	1	R65BP0006	1	R65BP0006	1	R65BP0006	1	R65BP0006	1	R65BP0006	1	R65BP0006	1
2	BLOWER HOUSING & WHEEL	R69AD0018	1	R69AD0018	1	R69AD0018	1	R69AD0018	1	R69AD0018	1	R69AD0018	1	R69AD0018	1
3	CAPACITOR	R68DE0006	1	R68DE0006	1	R68DE0006	1	R68DE0006	1	R68DE0006	1	R68DE0006	1	R68DE0006	1
4	CAP INSULATED CLIP-ON TERM	R68DE0011	2	R68DE0011	2	R68DE0011	2	R68DE0011	2	R68DE0011	2	R68DE0011	2	R68DE0011	2
5	MTR ARM AND GROMMET 4L	R66AB0059	1	R66AB0059	1	R66AB0059	1	R66AB0059	1	R66AB0059	1	R66AB0059	1	R66AB0059	1
6	MOTOR MOUNT BAND 4L	R66AB0058	1	R66AB0058	1	R66AB0058	1	R66AB0058	1	R66AB0058	1	R66AB0058	1	R66AB0058	1
7	HEATER RELAY DP			R68AB0007	1	R68AB0007	1	R68AB0007	1	R68AB0007	1	R68AB0007	1	R68AB0007	2
8	HEATER RELAY SP	R68AB0008	1							R68AB0008	1	R68AB0008	1		
9	TRANSFORMER	R68AA0003	1	R68AA0003	1	R68AA0003	1	R68AA0003	1	R68AA0003	1	R68AA0003	1	R68AA0003	1
10	CIRCUIT BREAKER 1	R68BAD014	1	R68BAD017	1	R68BAD018	1	R68BAD018	1	R68BAD018	1	R68BAD018	1	R68BAD018	1
11	CIRCUIT BREAKER 2									R68BAD012	1	R68BAD012	1	R68BAD017	1
12	BLOWER RELAY	R68AB0001	1	R68AB0001	1	R68AB0001	1	R68AB0001	1	R68AB0001	1	R68AB0001	1	R68AB0001	1
13	SEQUENCER	R68AD0003	2	R68AD0003	2	R68AD0003	2	R68AD0003	2	R68AD0003	2	R68AD0003	2	R68AD0003	2
14	LIMIT 155 DEGF	R68CA0008	1	R68CA0008	2	R68CA0008	2	R68CA0008	2	R68CA0008	3	R68CA0008	3	R68CA0008	4
15	ELECTRIC HEATER ELEMENT 1	R67AB0003	1	R67AB0007	1	R67AB0005	1	R67AB0006	1	R67AB0005	1	R67AB0006	1	R67AB0005	2
16	ELECTRIC HEATER ELEMENT 2									R67AB0003	1	R67AB0003	1		
17	GROUND LUG	R68DC0027	1	R68DC0027	1	R68DC0027	1	R68DC0027	1	R68DC0027	1	R68DC0027	1	R68DC0027	1
18	FUSE HOLDER	R73MHA001	1	R73MHA001	1	R73MHA001	1	R73MHA001	1	R73MHA001	1	R73MHA001	1	R73MHA001	1
19	3 AMP FUSE	R73MH0001	1	R73MH0001	1	R73MH0001	1	R73MH0001	1	R73MH0001	1	R73MH0001	1	R73MH0001	1

Table 15: Replacement Parts 3/4 HP PSC Models

Subject to change without notice
 Copyright by Mortex Products Inc. 2009.

61MH0001
 Supersedes: