

Features

- Cast iron with Safeguard® finish
- ADA compliant when installed per Section 607 of the Act
- Integral apron
- Left or right drain
- 60" (152.4 cm) x 30-1/4" (76.8 cm) x 14" (35.6 cm)

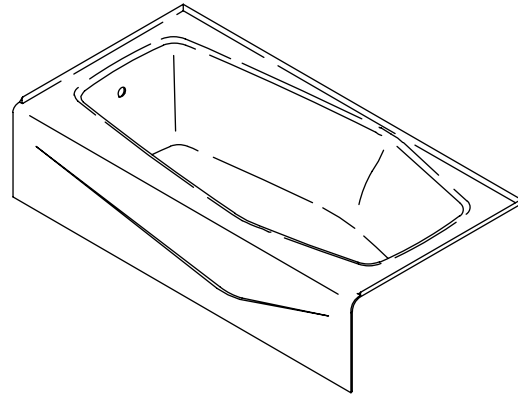
BATH
K-715
ALSO K-716

ADA

Codes/Standards Applicable

Specified model meets or exceeds the following:

- ADA
- ASME A112.19.1
- ICC/ANSI A117.1
- CSA B45
- UPC



Colors/Finishes

- 0: White
- Other: Refer to Price Book for additional colors/finishes

Accessories

- 0: White
- CP: Polished Chrome
- PB: Vibrant® Polished Brass
- Other: Refer to Price Book for additional colors/finishes

Specified Model

Model	Description	Colors/Finishes	
K-715	Bath – left drain	<input type="checkbox"/> 0	<input type="checkbox"/> Other_____
K-716	Bath – right drain	<input type="checkbox"/> 0	<input type="checkbox"/> Other_____

Recommended Accessories			
K-7213	Clearflo bath cable drain with PVC tubing	<input type="checkbox"/> CP	<input type="checkbox"/> Other_____
K-7214	Clearflo bath cable drain without PVC tubing	<input type="checkbox"/> CP	<input type="checkbox"/> Other_____
K-7160-TF	Clearflo pop-up bath drain	<input type="checkbox"/> CP	<input type="checkbox"/> Other_____

Product Specification

The bath shall be made of cast iron with Safeguard finish. Product shall be 60" (152.4 cm) in length, 30-1/4" (76.8 cm) in width, and 14" (35.6 cm) in height. Product shall feature an integral apron. Product shall be available with left or right drain. Bath shall be ADA compliant when installed per Section 607 of the Act. Bath shall be Kohler Model K-____-____.

VILLAGER™

Optional Accessories

K-1491	Pillow	<input type="checkbox"/> 0	<input type="checkbox"/> Other _____
K-1601	Footstop	<input type="checkbox"/> 0	<input type="checkbox"/> Other _____

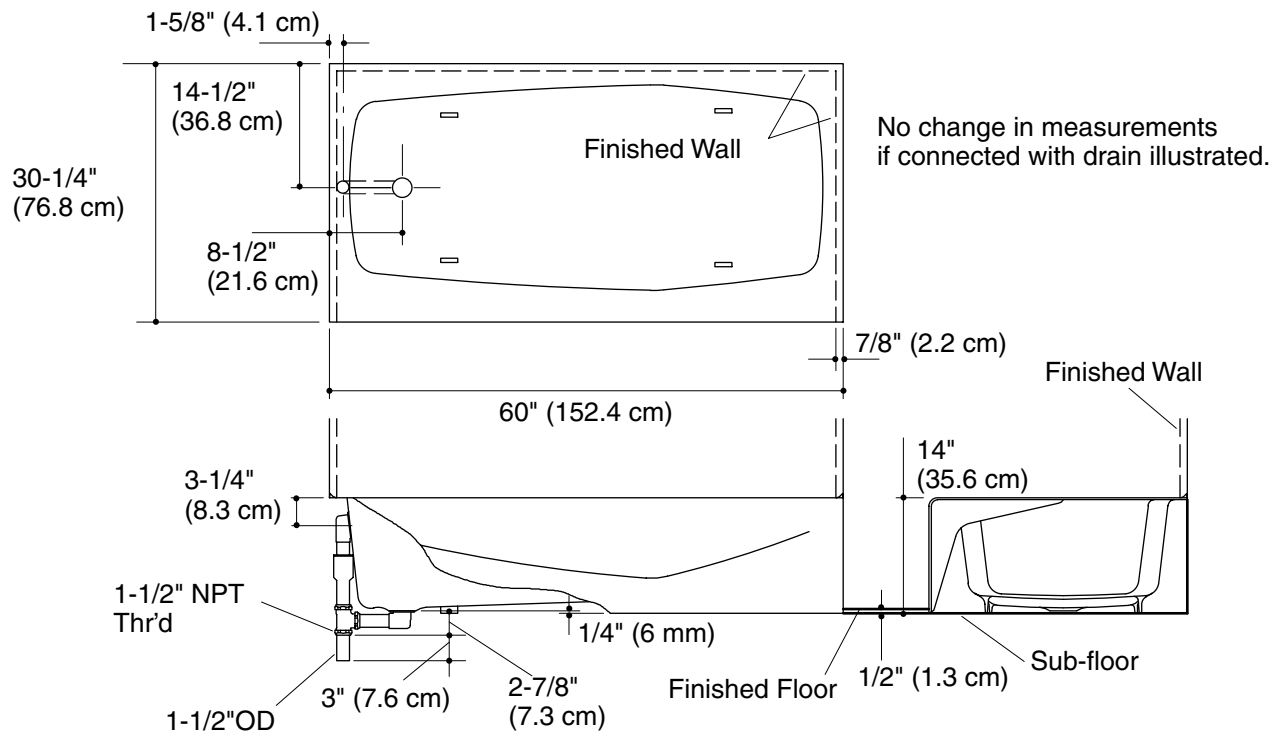
Technical Information

Fixture*:	
Bathing well:	
Basin area, bottom	45" (114.3 cm) x 22" (55.9 cm)
Basin area, top	55" (139.7 cm) x 24" (61 cm)
Weight	316 lbs (143.3 kg)
To overflow:	
Water depth	8-5/8" (21.9 cm)
Capacity	33 gal (124.9 L)
* Approximate measurements for comparison only.	

Installation Notes

Refer to install installation instructions included with fixture before beginning installation.

Floor support under the bath must provide for a minimum of 49 lbs/square foot (238.8 kg/square meter) loading.



Product Diagram