

### Features

- Cast iron with Safeguard® finish
- Integral apron
- Left or right drain
- 60" (152.4 cm) x 30-1/4" (76.8 cm) x 14" (35.6 cm)

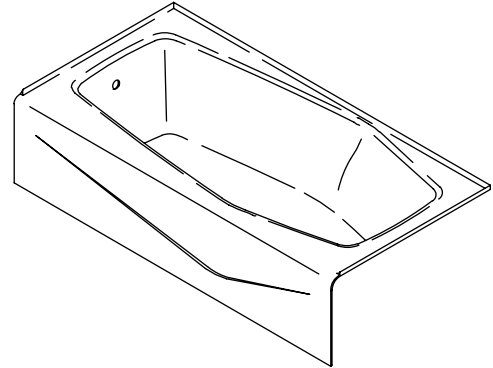
**BATH**  
**K-715**  
**ALSO K-716**

**ADA** **CSA B651** **OBC**

### Codes/Standards Applicable

Specified model meets or exceeds the following:

- ADA
- ICC/ANSI A117.1
- CSA B651
- OBC
- ASME A112.19.1/CSA B45.2



### Colors/Finishes

- 0: White
- Other: Refer to Price Book for additional colors/finishes

### Accessories

- 0: White
- CP: Polished Chrome
- PB: Vibrant® Polished Brass
- Other: Refer to Price Book for additional colors/finishes

### Specified Model

Model	Description	Colors/Finishes	
K-715	Bath – left drain	<input type="checkbox"/> 0	<input type="checkbox"/> Other _____
K-716	Bath – right drain	<input type="checkbox"/> 0	<input type="checkbox"/> Other _____

Recommended Accessories			
K-7213	Clearflo bath cable drain with PVC tubing	<input type="checkbox"/> CP	<input type="checkbox"/> Other _____
K-7214	Clearflo bath cable drain without PVC tubing	<input type="checkbox"/> CP	<input type="checkbox"/> Other _____
K-7160-TF	Clearflo pop-up bath drain	<input type="checkbox"/> CP	<input type="checkbox"/> Other _____

### Product Specification

The bath shall be made of cast iron with Safeguard finish. Product shall be 60" (152.4 cm) in length, 30-1/4" (76.8 cm) in width, and 14" (35.6 cm) in height. Product shall feature an integral apron. Product shall be available with left or right drain. Bath shall be Kohler Model K-\_\_\_\_-\_\_\_\_.

# VILLAGER™

## Optional Accessories

K-1491	Pillow	<input type="checkbox"/> 0	<input type="checkbox"/> Other _____
K-1601	Footstop	<input type="checkbox"/> 0	<input type="checkbox"/> Other _____

## Technical Information

Fixture*:	
Bathing well:	
Basin area, bottom	45" (114.3 cm) x 22" (55.9 cm)
Basin area, top	55" (139.7 cm) x 24" (61 cm)
Weight	316 lbs (143.3 kg)
To overflow:	
Water depth	8-5/8" (21.9 cm)
Capacity	33 gal (124.9 L)
* Approximate measurements for comparison only.	

## Installation Notes

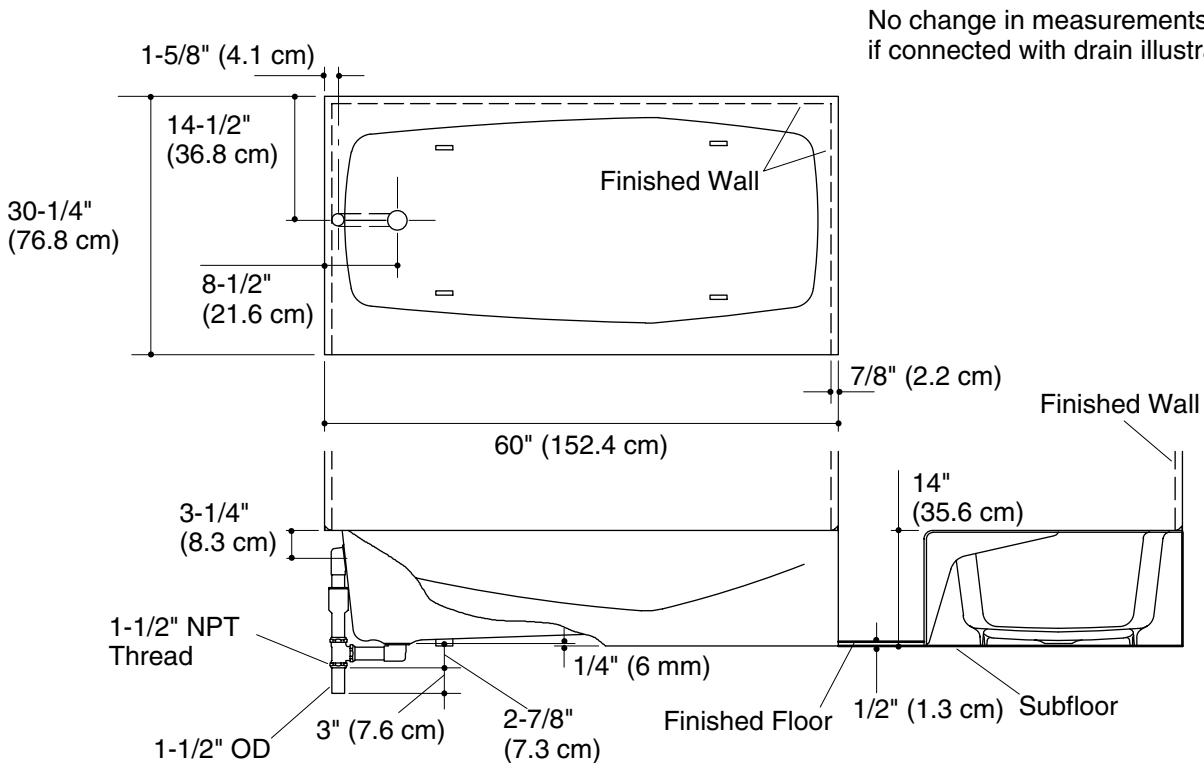
Refer to install installation instructions included with fixture before beginning installation.

Floor support under the bath must provide for a minimum of 49 lbs/square foot (238.8 kg/square meter) loading.

Will comply with **ADA** when installed per Section 607 Bathtubs of the Act.

Will comply with **CSA B651** when installed per Clause 4.4.7 of the standard.

will comply with **OBC** when installed per Clause 3.8.3.13.



## Product Diagram