



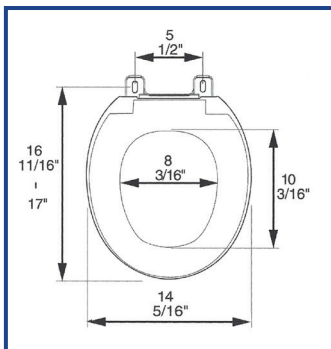
Slow Close Seat



### Seat shall be BATHDÉCOR™ MODEL - 2C3R7-00

- Combination adult/juvenile family seat
- Patented slow close damper system
- Strong & durable - injection molded of high-impact, chemically resistant polypropylene
- Comfortable, ergonomically designed ring
- Magnets hold juvenile seat in place within cover when not in use
- Round closed front with cover
- Lightweight juvenile seat with slow close hinge system - allows children to raise and lower seat easily and safely. No slamming of seat or pinched fingers.
- Extra thick, contoured ring provides greater support
- Adjustable hinge for a perfect fit on any standard ANSI toilet bowl
- Non-corrosive installation hardware
- Molded-in bumpers for added safety and comfort
- Rubber hinge pads keep seat secure and stable
- Easy, self-aligning, top mount installation with just a screwdriver
- Specify white -00

## PRODUCT SPECIFICATIONS



Residential

Model 2C3R7-00 - For ANSI Standard Round Front Toilets

Style: Closed Front with Cover

Material: Polypropylene Plastic

Hinge: Slow close damper system

Height of seat: 1 3/4"

Ring Thickness: 5/8"

Ring Thickness with Bumpers: 7/8"

PLUMBTECH™ plastic seats utilize high grade virgin polypropylene plastic. Complies with ANSI Standard Z124.5 Section 5.1.2