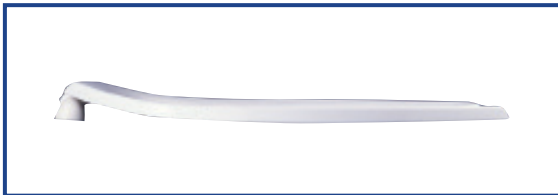


COMMERCIAL PLASTIC



External check hinge with 304 stainless steel hinge posts

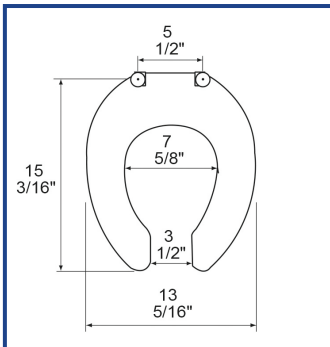


External check hinge stops seat 11 degrees beyond vertical to minimize damage to flush valve

Seat shall be PLUMBTECH™ MODEL - 461SSC

- Commercial juvenile elongated toilet bowl (baby bowl)
- Injection molded durable polypropylene plastic with UV protection
- Contains antimicrobial ingredient to retard growth of odor and stain causing bacteria
- External check hinge stops at 11 degrees beyond vertical
- External self-sustaining hinge holds at 45 degrees before vertical
- Built in bumpers
- 304 stainless steel hinge post and hardware
- Non-skid rubberized pad
- Specify white -00

PRODUCT SPECIFICATIONS



Commercial

Model 461SSC - For ANSI Standard Elongated Front Toilets

Style: Open Front Less Cover

Material: Polypropylene Plastic

Hinge: External check hinge with 304 series stainless steel hardware

Height of seat: N/A

Ring Thickness: 7/8"

Ring Thickness with Bumpers: 1"

PLUMBTECH™ plastic seats utilize high grade virgin polypropylene plastic. Complies with ANSI Standard Z124.5 Section 5.1.2