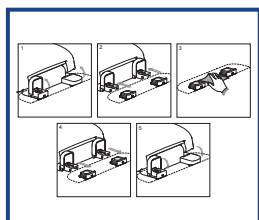


## RESIDENTIAL SOFT SEATS



### Seat shall be BATHDÉCOR™ MODEL - 6C3R2

- Premium extra heavy duty embossed leather design vinyl
- Adjustable Release 'N' Clean™ hinge
- Color coordinated hinges and bumpers
- Assembled with stainless steel screws
- OSG™ - Odor Stain Guard in vinyl
- Heavy duty high density foam
- Non-Corrosive self-aligning hardware
- UV protection
- Top mount design
- Solid wood core construction for added stability
- Closed front with cover design/style
- Specify white -00, bone -01, pink -21, claret -25, blue -41, forest green -60, or black -90

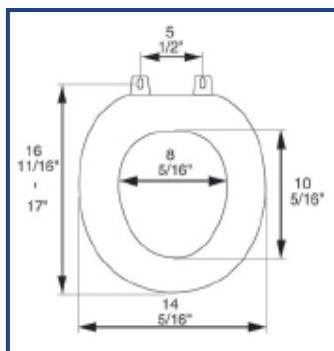


Release 'N' Clean™

#### COLORS



## PRODUCT SPECIFICATIONS



#### Residential

Model 6C3R2 - For ANSI Standard Round Front Toilets

Style: Closed Front with Cover

Material: PVC vinyl and foam and molded wood

Hinge: Adjustable Release 'N' Clean™ top mount

Height of seat: 3 1/2"

Ring Thickness: 1 1/8"

Ring Thickness with Bumpers: 1 1/2"

BATHDÉCOR™ premium soft seats utilize extra heavy duty embossed vinyl and foam to wrap a molded wood toilet seat. The combination adds durability and comfort.