

SINGLE-VALVE SUPPLY ACCESS PLATE

» 699 SERIES

OmegaPlate™

SPECIFICATION

Sioux Chief 699 Series OmegaPlate™ access product shall be used where necessary in plumbing systems for accessible mounting of water supply. Plate can secure directly to vertical stud or between studs. Install bracketing through integral track or affix box through flange holes. Supply line can be installed from above or below. Plate shall be supplied with 1/4-turn supply valve, having 1/4" & 3/8" compression connection or 3/4" male hose connection. Valve shall be plated and replaceable with any common 5/8" compression valve. Outlet connections should generally be provided with a test/tamper-resistant cap. Plate allows debris cover to thread in for protection during rough-in.

MATERIALS

Valve: No-lead brass¹

Valve Shank: No-lead brass¹/copper/PPSU/CPVC, 304SS grip ring

Plate: ABS

Escutcheon*: ABS

Debris cover: Polyethylene

CERTIFICATIONS/APPROVALS

NSF-372 compliant, IAPMO listed plate and valves

Valves meet ASME A112.18.1

VALVE SAFE WORKING LIMITS

Max working temp: 200 °F

Max air/water testing & working pressure: 150 PSIG

DIMENSIONS

A: Plate width/height 4 1/2"

B: Plate to valve outlet
Standard valve 1 7/8"
Extended valve 2 3/4"

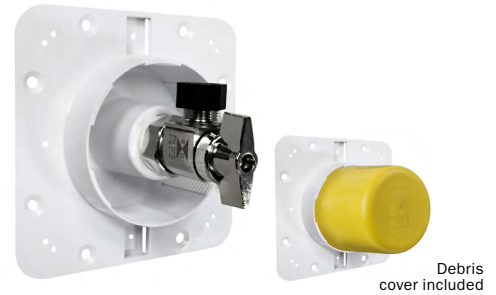
C: Plate to valve supply 1 1/2"

D: Frame* ID 2 1/2"

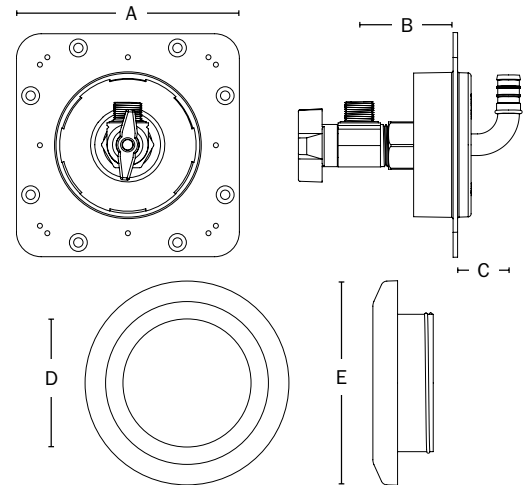
E: Frame* OD 4"

*Escutcheon available separately

ITEM # SUBMITTED	_____
JOB NAME	_____
LOCATION	_____
ENGINEER	_____
CONTRACTOR	_____
PO#	_____ TAG _____



699-A1-XR



Create Item Number

699-A-B-C

e.g. **699-A1-XR:** Access plate with 3/8" valve, F1807 PEX connection, debris cover and color clips included

VALVE OUTLET CONNECTION **A**

A0 = 1/4" Comp. thread - angle¹

A1 = 3/8" Comp. thread - angle¹

A1E = 3/8" Comp. thread - extended/angle¹

A3 = 3/4" Male hose thread - angle¹

SUPPLY INLET CONNECTION **B**

MR = 1/2" MIP/F.SWT

PR = 1/2" Male sweat/press/push

WR = 1/2" PEX F1960 Grip™

XR = 1/2" PEX F1807/F2159 Crimp™

CR = 1/2" CPVC socket

PACKAGING **C**

L = Less debris cover & color clips

Available separately:

White escutcheon only: 699-F

Chrome escutcheon only: 699-FC

¹ Material is C69300 dezincification and SCC resistant, and is compliant with NSF-61 Annex G and California No Lead Plumbing Law